



- Interchange: Stucchi DP4
- Occlusion: flat face
- Locking: lever with safety device
- Material: steel and aluminum
- Finishing: Zn-Fe (Cr III), Zn-Ni, cataphoresis
- Threads: BSP-NPT-SAE-METRICS
- Standard seals: NBR and PU
- Working temperature: -25°C+100°C
- Optional seals: FKM, EPDM or more.
- Working pressure: 350 bar
- Connection under residual pressure: allowed (male side only)

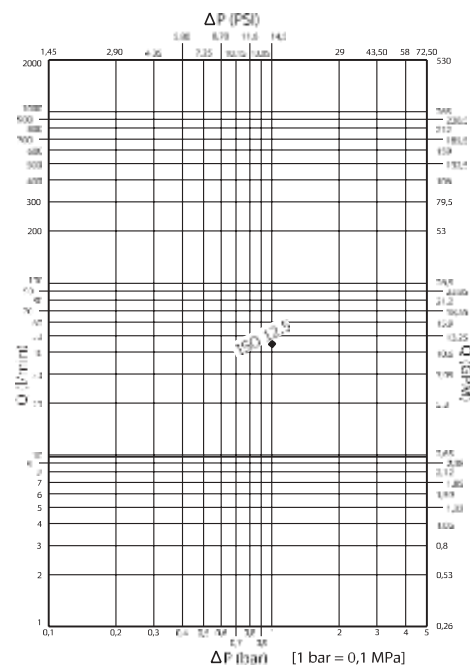
Technische Merkmale

D

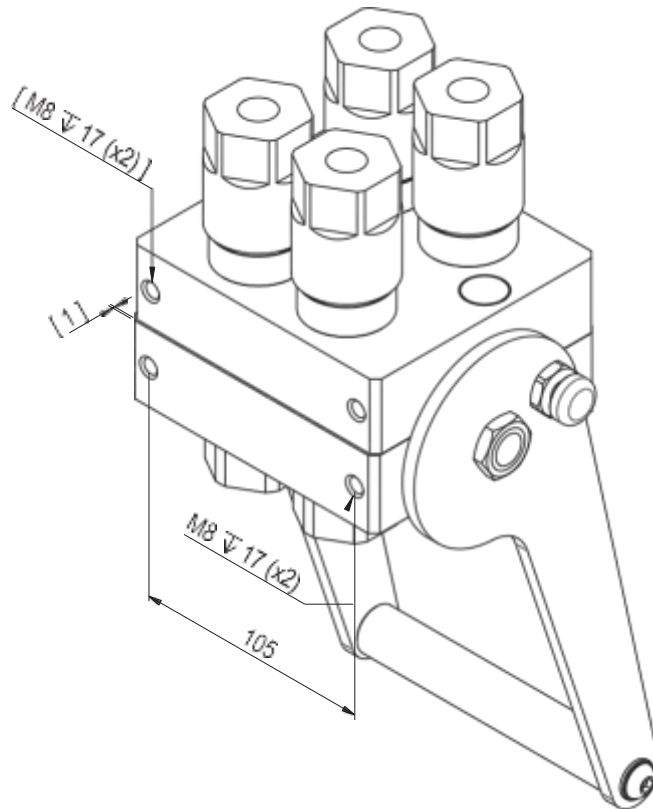
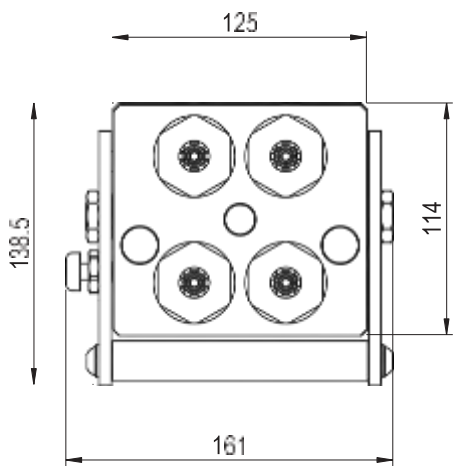
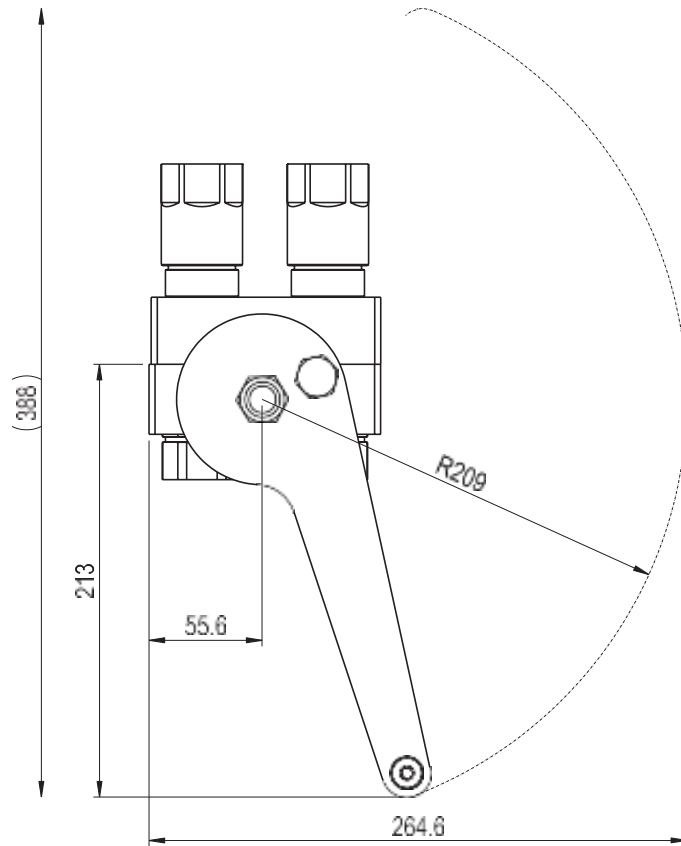
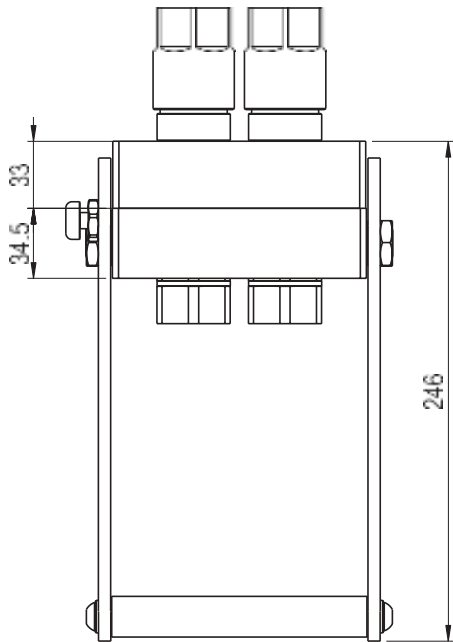
- Norm: Stucchi DP4
- Verschluss: flachdichtend
- Kupplung: Hebel mit doppelter Sicherung
- Werkstoff: Stahl und Aluminium
- Ausführung: Zn-Fe (Cr III), Zn-Ni, Kataphorese
- Gewinde: BSP-NPT-SAE-METRISCHE
- Standard-Dichtungen: NBR und PU
- Betriebstemperatur: -25°C+100°C
- Dichtungen nach Wahl: FKM, EPDM, usw.
- Betriebsdruck: 350 bar
- Kuppeln unter Restdruck: erlaubt (nur Steckerseite)

Nominal size				Max working pressure	Rated flow	Max flow rate	Min burst pressure			Fluid spillage
DNP	BG	ISO	Ømm				Male	Female	Coupled	
20	3	12.5	10.7	35 MPa	45 l/min	90 l/min	140 MPa	140 MPa	140 MPa	0.010 cc

1 MPa = 145.04 psi • 1 l = 0.264 gal



PDP4 DIMENSION



PDP4 FIXED



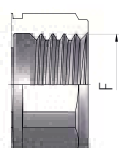
THREADS	DNP	BG	ISO	Housings	No. of Couplings	F	STANDARD	FIXED PART	
								CODE	Weight (g)
IG 1	20	3	12.5	4	4	BSP 1/2"	DIN 3852-2	PDP4.4GCG.2	3037
	20	3	12.5	4	4	NPT 1/2"	ANSI B1.20.1	PDP4.4GCN.2	3090
	20	3	12.5	4	4	BSP 3/4"	DIN 3852-2	PDP4.4GDG.2	2958
	20	3	12.5	4	4	NPT 3/4"	ANSI B1.20.1	PDP4.4GDN.2	2980
	20	3	12.5	4	4	M18x1.5	DIN 3852-1	PDP4.4GCM.2	3033
IG 2	20	3	12.5	4	4	M22x1.5	ISO 6149-1	PDP4.4GEF.2	2966
	20	3	12.5	4	4	M26x1.5	-	PDP4.4GGF.2	2953
	20	3	12.5	4	4	3/4"-16 UNF 2B	SAE J 1926-1	PDP4.4GCU.2	3005
	20	3	12.5	4	4	7/8"-14 UNF 2B	SAE J 1926-1	PDP4.4GGU.2	2923
	20	3	12.5	4	4	1"1/16-12 UN 2B	SAE J 1926-1	PDP4.4GDU.2	3055
AG 2	20	3	12.5	4	4	3/4"-16 UNF 2A	ISO 8434-2	PDP4.4GCV.2	2822
	20	3	12.5	4	4	7/8"-14 UNF 2A	ISO 8434-2	PDP4.4GGV.2	2920
	20	3	12.5	4	4	1"1/16-12 UN 2A	ISO 8434-2	PDP4.4GDV.2	2859
AG 3	20	3	12.5	4	4	M18x1.5-12L	ISO 8434-1-L	PDP4.4GCL.2	2789
	20	3	12.5	4	4	M22x1.5-15L	ISO 8434-1-L	PDP4.4GEL.2	2809
	20	3	12.5	4	4	M26x1.5-18L	ISO 8434-1-L	PDP4.4GGL.2	2834
	20	3	12.5	4	4	M18x1.5-10S	ISO 8434-1-S	PDP4.4GCS.2	2804
	20	3	12.5	4	4	M20x1.5-12S	ISO 8434-1-S	PDP4.4GDS.2	2815
	20	3	12.5	4	4	M22x1.5-14S	ISO 8434-1-S	PDP4.4GES.2	2831
	20	3	12.5	4	4	M24x1.5-16S	ISO 8434-1-S	PDP4.4GFS.2	2842

PDP4 MOBILE

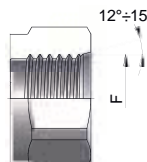


THREADS	DNP	BG	ISO	Housings	No. of Couplings	F	STANDARD	MOBILE PART	
								CODE	Weight (g)
IG 1	20	3	12.5	4	4	BSP 1/2"	DIN 3852-2	PDP4.4GCG.3	3038
	20	3	12.5	4	4	NPT 1/2"	ANSI B1.20.1	PDP4.4GCN.3	3050
	20	3	12.5	4	4	BSP 3/4"	DIN 3852-2	PDP4.4GDG.3	2914
	20	3	12.5	4	4	NPT 3/4"	ANSI B1.20.1	PDP4.4GDN.3	2947
	20	3	12.5	4	4	M18x1.5	DIN 3852-1	PDP4.4GCM.3	3057
IG 2	20	3	12.5	4	4	M22x1.5	ISO 6149-1	PDP4.4GEF.3	2988
	20	3	12.5	4	4	M26x1.5	-	PDP4.4GGF.3	2904
	20	3	12.5	4	4	3/4"-16 UNF 2B	SAE J 1926-1	PDP4.4GCU.3	2948
	20	3	12.5	4	4	7/8"-14 UNF 2B	SAE J 1926-1	PDP4.4GGU.3	2888
	20	3	12.5	4	4	1"1/16-12 UN 2B	SAE J 1926-1	PDP4.4GDU.3	2968
AG 2	20	3	12.5	4	4	3/4"-16 UNF 2A	ISO 8434-2	PDP4.4GCV.3	2813
	20	3	12.5	4	4	7/8"-14 UNF 2A	ISO 8434-2	PDP4.4GGV.3	2874
	20	3	12.5	4	4	1"1/16-12 UN 2A	ISO 8434-2	PDP4.4GDV.3	2849
AG 3	20	3	12.5	4	4	M18x1.5-12L	ISO 8434-1-L	PDP4.4GCL.3	2733
	20	3	12.5	4	4	M22x1.5-15L	ISO 8434-1-L	PDP4.4GEL.3	2754
	20	3	12.5	4	4	M26x1.5-18L	ISO 8434-1-L	PDP4.4GGL.3	2786
	20	3	12.5	4	4	M18x1.5-10S	ISO 8434-1-S	PDP4.4GCS.3	2760
	20	3	12.5	4	4	M20x1.5-12S	ISO 8434-1-S	PDP4.4GDS.3	2769
	20	3	12.5	4	4	M22x1.5-14S	ISO 8434-1-S	PDP4.4GES.3	2786
	20	3	12.5	4	4	M24x1.5-16S	ISO 8434-1-S	PDP4.4GFS.3	2799

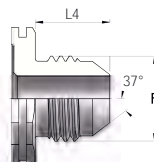
THREADS



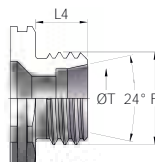
IG 1



IG 2



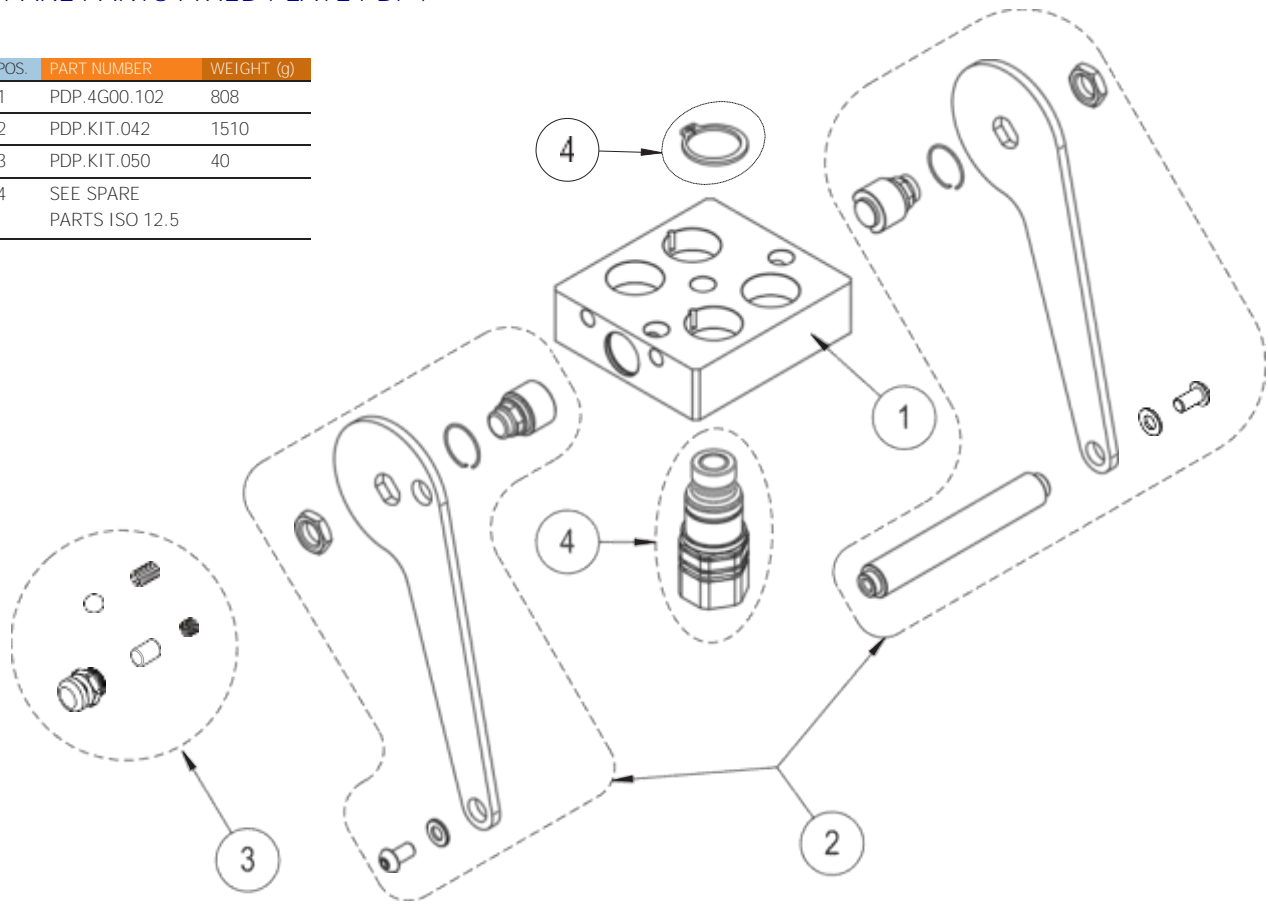
AG 2



AG 3

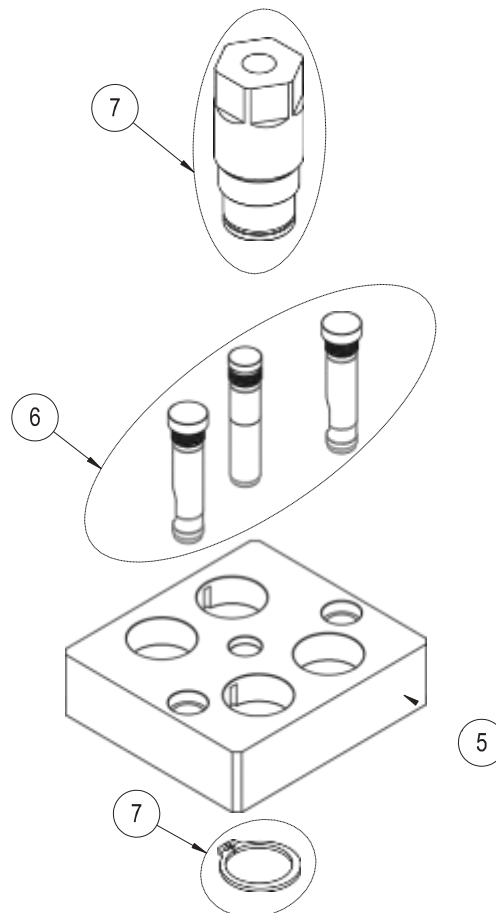
SPARE PARTS FIXED PLATE PDP4

POS.	PART NUMBER	WEIGHT (g)
1	PDP.4G00.102	808
2	PDP.KIT.042	1510
3	PDP.KIT.050	40
4	SEE SPARE PARTS ISO 12.5	

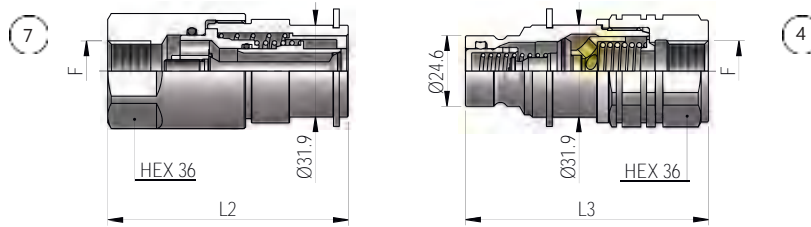


SPARE PARTS MOBILE PLATE PDP4

POS.	PART NUMBER	WEIGHT (g)
5	PDP.4G00.103	794
6	PDP.KIT.017	230
7	SEE SPARE PARTS ISO 12.5	



SPARE PARTS ISO 12.5 COUPLINGS



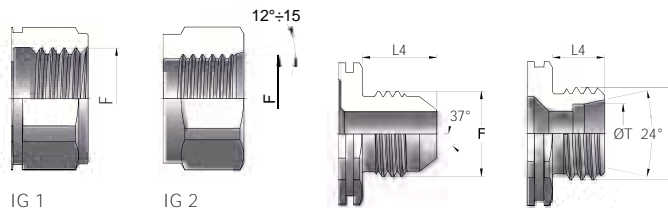
THREADS	DNP	BG	ISO	L2	L3	L4	ØT	F	STANDARD	SPARE PARTS			
										FEMALE - MUFFE		MALE - STECKER	
										COD. F	Weight (g)	COD. M	Weight (g)
IG 1	20	3	12.5	83.7	84.5			BSP 1/2"	DIN 3852-2	POT4.2013.112 R	640	POT4.2013.113 R	362
	20	3	12.5	83.7	86			NPT 1/2"	ANSI B1.20.1	POT4.2013.012 R	643	POT4.2013.013 R	375
	20	3	12.5	83.7	86.5			BSP 3/4"	DIN 3852-2	POT4.2019.112 R	609	POT4.2019.113 R	342
	20	3	12.5	83.7	86			NPT 3/4"	ANSI B1.20.1	POT4.2019.012 R	617	POT4.2019.013 R	347
	20	3	12.5	82.7	82.5			M18x1.5	DIN 3852-1	POT4.2018.102 R	645	POT4.2018.103 R	361
IG 2	20	3	12.5	82.7	82			M22x1.5	ISO 6149-1	POT4.2022.102 R	628	POT4.2022.103 R	344
	20	3	12.5	83.7	86			M26x1.5	-	POT4.2026.102 R	607	POT4.2026.103 R	341
	20	3	12.5	79.7	82			3/4"-16 UNF 2B	SAE J 1926-1	POT4.2019.032 R	618	POT4.2019.033 R	354
	20	3	12.5	83.7	86			1"1/16-16 UN 2B	SAE J 1926-1	POT4.2023.032 R	623	POT4.2023.033 R	366
	20	3	12.5	81.7	86			7/8"-14 UNF 2B	SAE J 1926-1	POT4.2027.032 R	603	POT4.2027.033 R	333
AG 2	20	3	12.5	87.5	87.7	16.7		3/4"-16 UNF 2A	ISO 8434-2	POT4.2019.302 R	584	POT4.2019.303 R	308
	20	3	12.5	92.7	93	19.3		7/8"-14 UNF 2A	ISO 8434-2	POT4.2023.302 R	593	POT4.2023.303 R	317
	20	3	12.5	90	90.3	22		1"1/16-16 UN 2A	ISO 8434-2	POT4.2027.302 R	599	POT4.2027.303 R	332
AG 3	20	3	12.5	81.7	82	11	12L	M18x1.5	ISO 8434-1-L	POT4.2018.302 R	564	POT4.2018.303 R	300
	20	3	12.5	82.7	83	12	15L	M22x1.5	ISO 8434-1-L	POT4.2022.302 R	569	POT4.2022.303 R	305
	20	3	12.5	82.7	83	12	18L	M26x1.5	ISO 8434-1-L	POT4.2026.302 R	577	POT4.2026.303 R	311
	20	3	12.5	82.7	83	12	10S	M18x1.5	ISO 8434-1-S	POT4.2018.402 R	571	POT4.2018.403 R	303
	20	3	12.5	82.7	83	12	12S	M20x1.5	ISO 8434-1-S	POT4.2020.402 R	573	POT4.2020.403 R	306
	20	3	12.5	84.7	85	14	14S	M22x1.5	ISO 8434-1-S	POT4.2022.402 R	577	POT4.2022.403 R	310
	20	3	12.5	84.7	85	14	16S	M24x1.5	ISO 8434-1-S	POT4.2024.402 R	580	POT4.2024.403 R	313

SPARE PARTS SEALS



NOMINAL SIZE			MALE GASKET
DNP	BG	ISO	PU(POLYURETHANE)
20	3	12.5	PVT.019.210

THREADS



DOCKING STATION

POS.	PART NUMBER	WEIGHT (g)
1	PPDP.340	1070

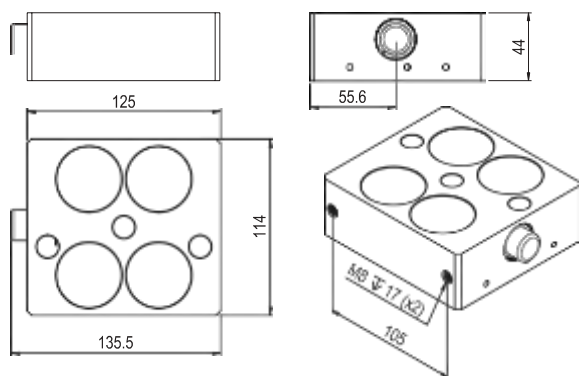
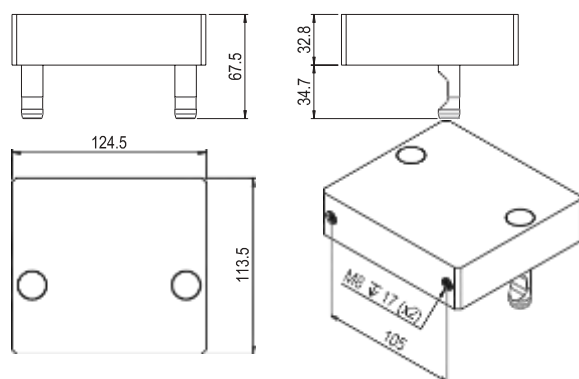


PLATE CAP

POS.	PART NUMBER	WEIGHT (g)
1	SPDP.240	900





- Interchange: Stucchi DP4
- Occlusion: flat face
- Locking: lever with safety device
- Material: steel and aluminum
- Finishing: Zn-Fe (Cr III), Zn-Ni, cataphoresis
- Threads: BSP-NPT-SAE-METRICS
- Standard seals: NBR and PU
- Working temperature: -25°C+100°C
- Optional seals: FKM, EPDM or more.
- Working pressure: 350 bar
- Connection under residual pressure: allowed (male side only)

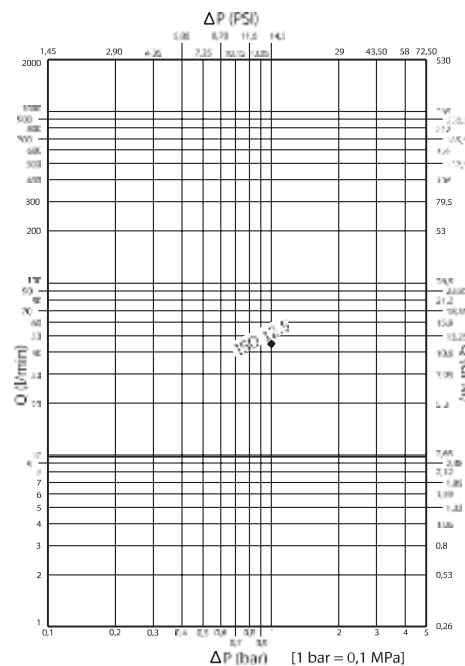
Technische Merkmale

D

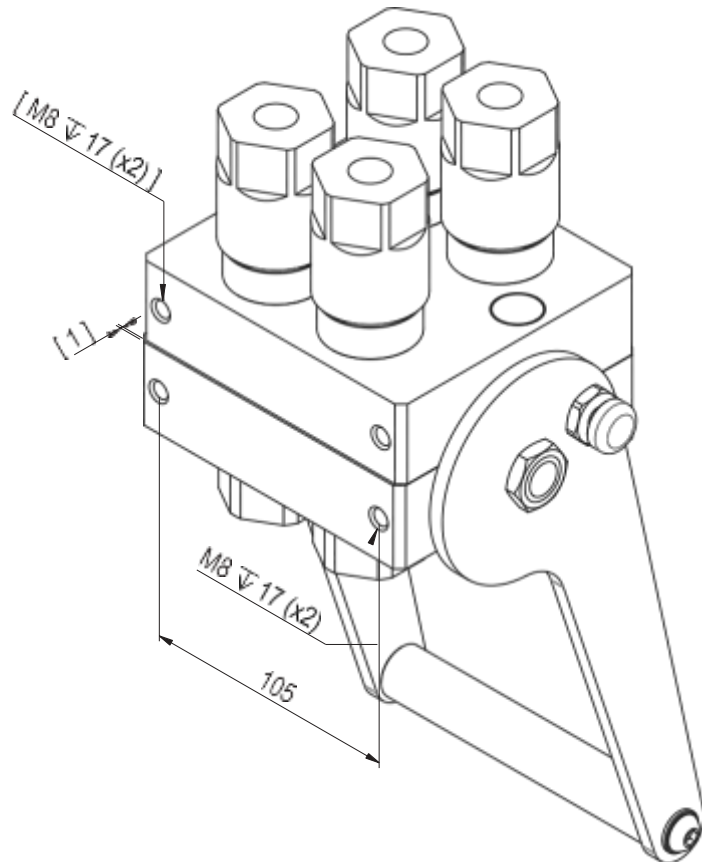
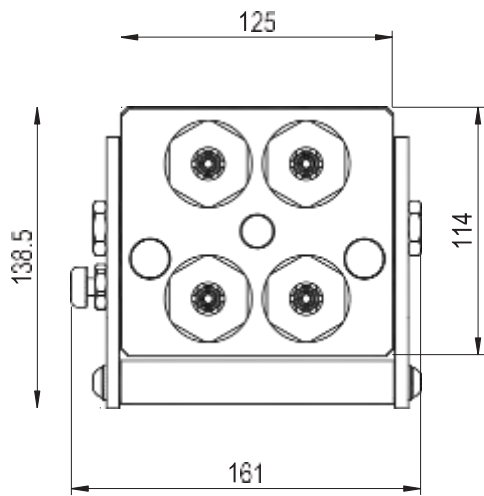
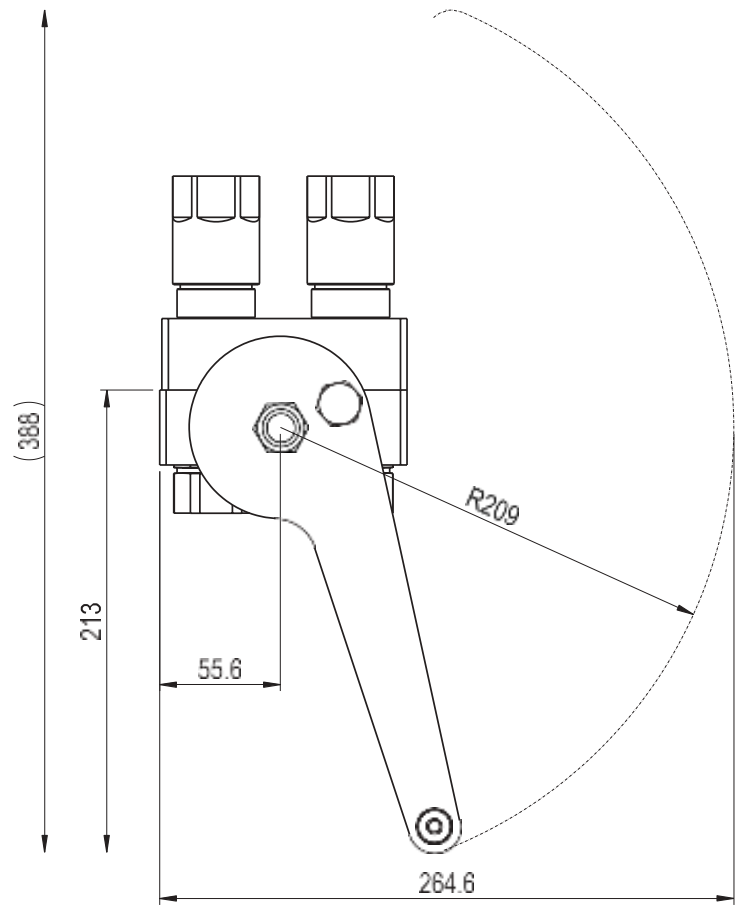
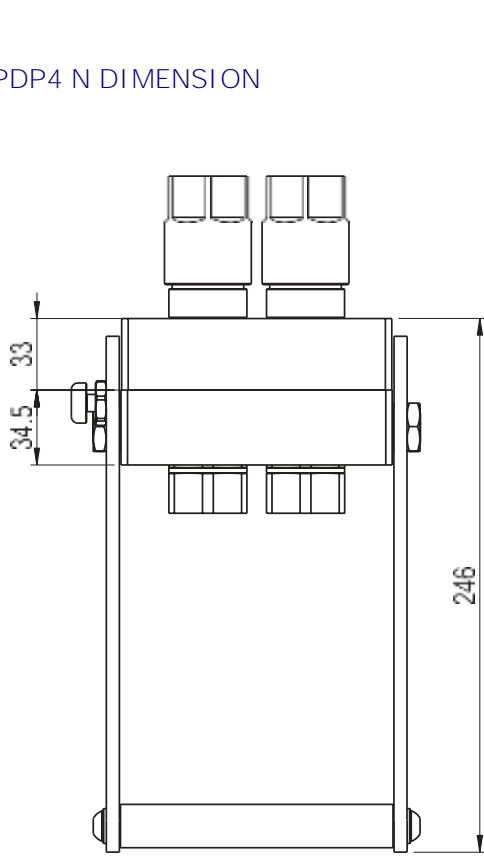
- Norm: Stucchi DP4
- Verschluss: flachdichtend
- Kupplung: Hebel mit doppelter Sicherung
- Werkstoff: Stahl und Aluminium
- Ausführung: Zn-Fe (Cr III), Zn-Ni, Kataphorese
- Gewinde: BSP-NPT-SAE-METRISCHE
- Standard-Dichtungen: NBR und PU
- Betriebstemperatur: -25°C+100°C
- Dichtungen nach Wahl: FKM, EPDM, usw.
- Betriebsdruck: 350 bar
- Kuppeln unter Restdruck: erlaubt (nur Steckerseite)

Nominal size				Max working pressure	Rated flow	Max flow rate	Min burst pressure			Fluid spillage
DNP	BG	ISO	Ømm	MPa	l/min	l/min	Male	Female	Coupled	cc
20	3	12.5	10.7	35	45	90	140	140	140	0.010

1 MPa = 145.04 psi • 1 l = 0.264 gal



PDP4 N DIMENSION



PDP4 N FIXED



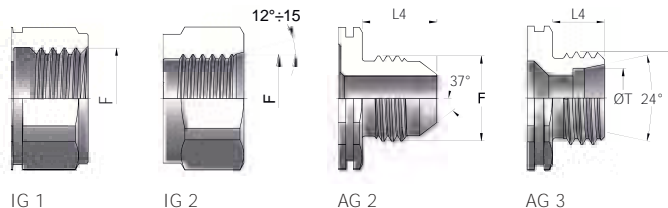
THREADS	DNP	BG	ISO	Housings	No. of Couplings	F	STANDARD	FIXED PART	
								CODE	Weight (g)
IG 1	20	3	12.5	4	4	BSP 1/2"	DIN 3852-2	PDP4.4GCG.2 N	3091
	20	3	12.5	4	4	NPT 1/2"	ANSI B1.20.1	PDP4.4GCN.2 N	3144
	20	3	12.5	4	4	BSP 3/4"	DIN 3852-2	PDP4.4GDG.2 N	3012
	20	3	12.5	4	4	NPT 3/4"	ANSI B1.20.1	PDP4.4GDN.2 N	3034
	20	3	12.5	4	4	M18x1.5	DIN 3852-1	PDP4.4GCM.2 N	3087
IG 2	20	3	12.5	4	4	M22x1.5	ISO 6149-1	PDP4.4GEF.2 N	3019
	20	3	12.5	4	4	M26x1.5	-	PDP4.4GGF.2 N	3007
	20	3	12.5	4	4	3/4"-16 UNF 2B	SAE J 1926-1	PDP4.4GCU.2 N	3059
	20	3	12.5	4	4	7/8"-14 UNF 2B	SAE J 1926-1	PDP4.4GJU.2 N	3109
	20	3	12.5	4	4	1"1/16-16 UN 2B	SAE J 1926-1	PDP4.4GDU.2 N	2976
AG 2	20	3	12.5	4	4	3/4"-16 UNF 2A	ISO 8434-2	PDP4.4GCV.2 N	2876
	20	3	12.5	4	4	7/8"-14 UNF 2A	ISO 8434-2	PDP4.4GGV.2 N	2912
	20	3	12.5	4	4	1"1/16-12 UN 2A	ISO 8434-2	PDP4.4GDV.2 N	2974
AG 3	20	3	12.5	4	4	M18x1.5-12L	ISO 8434-1-L	PDP4.4GCL.2 N	2843
	20	3	12.5	4	4	M22x1.5-15L	ISO 8434-1-L	PDP4.4GEL.2 N	2862
	20	3	12.5	4	4	M26x1.5-18L	ISO 8434-1-L	PDP4.4GGL.2 N	2887
	20	3	12.5	4	4	M18x1.5-10S	ISO 8434-1-S	PDP4.4GCS.2 N	2858
	20	3	12.5	4	4	M20x1.5-12S	ISO 8434-1-S	PDP4.4GDS.2 N	2869
	20	3	12.5	4	4	M22x1.5-14S	ISO 8434-1-S	PDP4.4GES.2 N	2884
	20	3	12.5	4	4	M24x1.5-16S	ISO 8434-1-S	PDP4.4GFS.2 N	2895

PDP4 N MOBILE



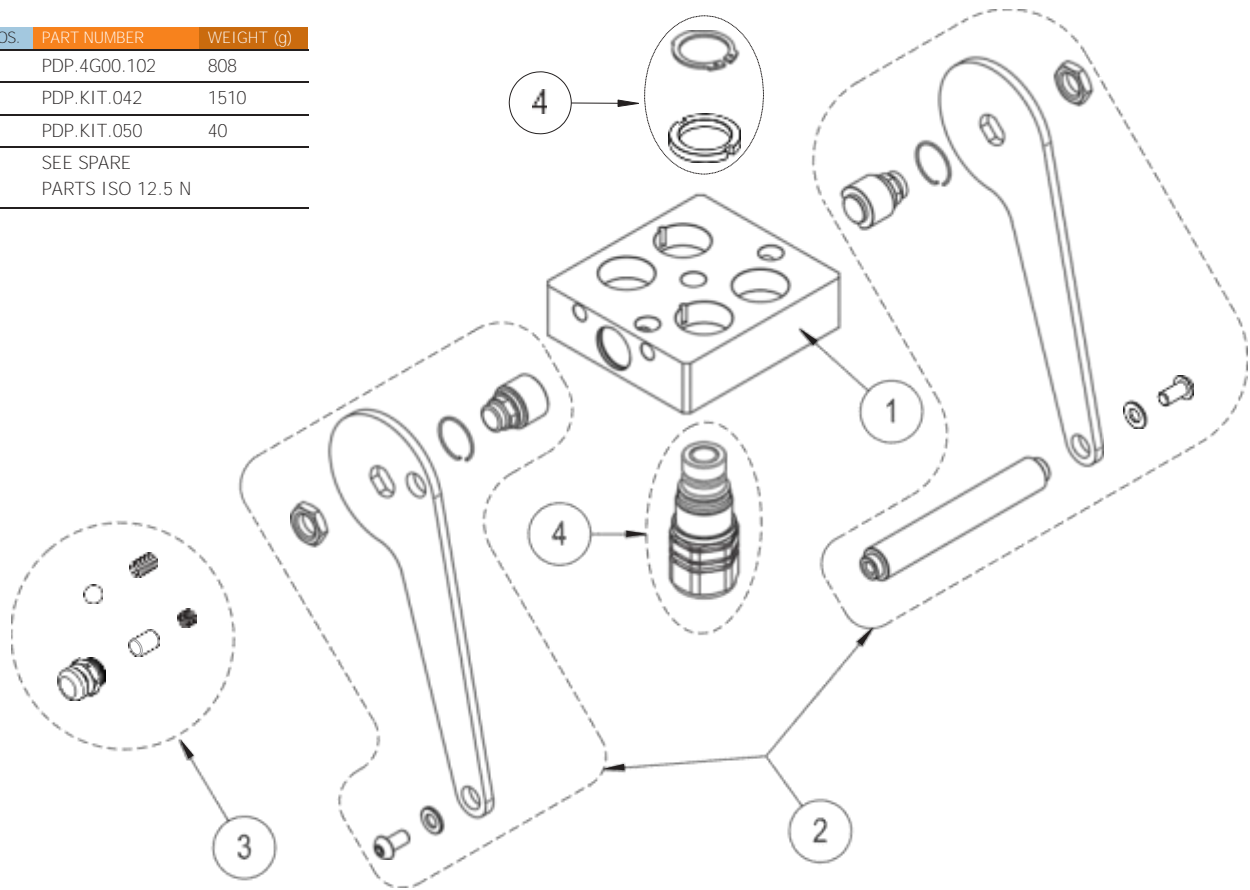
THREADS	DNP	BG	ISO	Housings	No. of Couplings	F	STANDARD	MOBILE PART	
								CODE	Weight (g)
IG 1	20	3	12.5	4	4	BSP 1/2"	DIN 3852-2	PDP4.4GCG.3 N	3135
	20	3	12.5	4	4	NPT 1/2"	ANSI B1.20.1	PDP4.4GCN.3 N	3146
	20	3	12.5	4	4	BSP 3/4"	DIN 3852-2	PDP4.4GDG.3 N	3010
	20	3	12.5	4	4	NPT 3/4"	ANSI B1.20.1	PDP4.4GDN.3 N	3044
	20	3	12.5	4	4	M18x1.5	DIN 3852-1	PDP4.4GCM.3 N	3153
IG 2	20	3	12.5	4	4	M22x1.5	ISO 6149-1	PDP4.4GEF.3 N	3084
	20	3	12.5	4	4	M26x1.5	-	PDP4.4GGF.3 N	3000
	20	3	12.5	4	4	3/4"-16 UNF 2B	SAE J 1926-1	PDP4.4GCU.3 N	3044
	20	3	12.5	4	4	7/8"-14 UNF 2B	SAE J 1926-1	PDP4.4GJU.3 N	3065
	20	3	12.5	4	4	1"1/16-12 UN 2B	SAE J 1926-1	PDP4.4GDU.3 N	2984
AG 2	20	3	12.5	4	4	3/4"-16 UNF 2A	ISO 8434-2	PDP4.4GCV.3 N	2910
	20	3	12.5	4	4	7/8"-14 UNF 2A	ISO 8434-2	PDP4.4GGV.3 N	2946
	20	3	12.5	4	4	1"1/16-12 UN 2A	ISO 8434-2	PDP4.4GDV.3 N	2971
AG 3	20	3	12.5	4	4	M18x1.5-12L	ISO 8434-1-L	PDP4.4GCL.3 N	2830
	20	3	12.5	4	4	M22x1.5-15L	ISO 8434-1-L	PDP4.4GEL.3 N	2851
	20	3	12.5	4	4	M26x1.5-18L	ISO 8434-1-L	PDP4.4GGL.3 N	2883
	20	3	12.5	4	4	M18x1.5-10S	ISO 8434-1-S	PDP4.4GCS.3 N	2856
	20	3	12.5	4	4	M20x1.5-12S	ISO 8434-1-S	PDP4.4GDS.3 N	2866
	20	3	12.5	4	4	M22x1.5-14S	ISO 8434-1-S	PDP4.4GES.3 N	2882
	20	3	12.5	4	4	M24x1.5-16S	ISO 8434-1-S	PDP4.4GFS.3 N	2895

THREADS



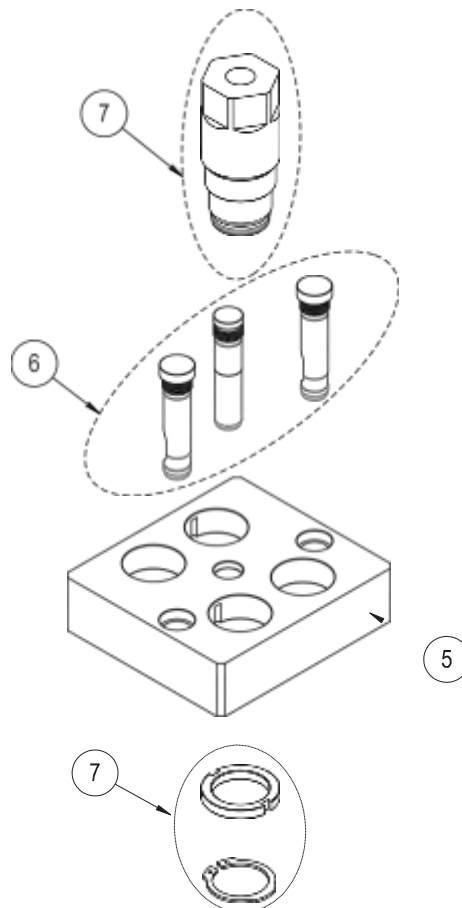
SPARE PARTS FIXED PLATE PDP4 N

POS.	PART NUMBER	WEIGHT (g)
1	PDP.4G00.102	808
2	PDP.KIT.042	1510
3	PDP.KIT.050	40
4	SEE SPARE PARTS ISO 12.5 N	

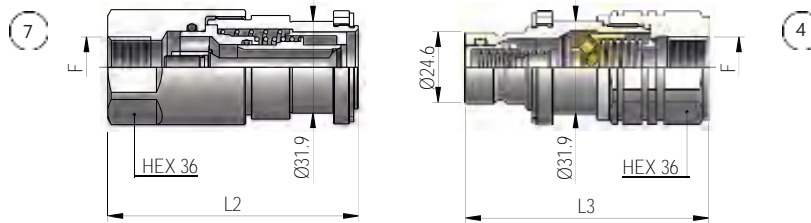


SPARE PARTS MOBILE PLATE PDP4 N

POS.	PART NUMBER	WEIGHT (g)
5	PDP.4G00.103	794
6	PDP.KIT.017	230
7	SEE SPARE PARTS ISO 12.5 N	

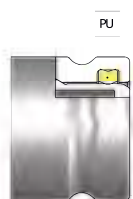


SPARE PARTS ISO 12.5 COUPLINGS



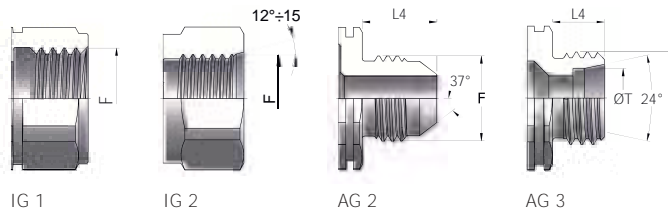
THREADS	DNP	BG	ISO	L2	L3	L4	ØT	F	STANDARD	SPARE PARTS			
										FEMALE - MUFFE		MALE - STECKER	
										COD. F	Weight (g)	COD. M	Weight (g)
IG 1	20	3	12.5	87.2	84.5			BSP 1/2"	DIN 3852-2	PDP4.2013.112 R	664	PDP4.2013.113 R	375
	20	3	12.5	87.2	86			NPT 1/2"	ANSI B1.20.1	PDP4.2013.012 R	667	PDP4.2013.013 R	388
	20	3	12.5	87.2	86.5			BSP 3/4"	DIN 3852-2	PDP4.2019.112 R	633	PDP4.2019.113 R	355
	20	3	12.5	87.2	86			NPT 3/4"	ANSI B1.20.1	PDP4.2019.012 R	642	PDP4.2019.013 R	361
	20	3	12.5	86.2	82.5			M18x1.5	DIN 3852-1	PDP4.2018.102 R	669	PDP4.2018.103 R	374
IG 2	20	3	12.5	86.2	82			M22x1.5	ISO 6149-1	PDP4.2022.102 R	652	PDP4.2022.103 R	357
	20	3	12.5	83.7	86			M26x1.5	-	PDP4.2026.102 R	631	PDP4.2026.103 R	354
	20	3	12.5	83.2	82			3/4"-16 UNF 2B	SAE J 1926-1	PDP4.2019.032 R	642	PDP4.2019.033 R	367
	20	3	12.5	87.2	86			7/8"-14 UNF 2B	SAE J 1926-1	PDP4.2023.032 R	647	PDP4.2023.033 R	380
	20	3	12.5	85.2	86			1"1/16-16 UN 2B	SAE J 1926-1	PDP4.2027.032 R	627	PDP4.2027.033 R	346
AG 2	20	3	12.5	87.4	87.7	16.7		3/4"-16 UNF 2A	ISO 8434-2	PDP4.2019.302 R	608	PDP4.2019.303 R	321
	20	3	12.5	90	93	19.3		7/8"-14 UNF 2A	ISO 8434-2	PDP4.2023.302 R	617	PDP4.2023.303 R	330
	20	3	12.5	92.7	90.3	22		1"1/16-16 UN 2A	ISO 8434-2	PDP4.2027.302 R	623	PDP4.2027.303 R	346
AG 3	20	3	12.5	85.2	82	11	12L	M18x1.5	ISO 8434-1-L	PDP4.2018.302 R	588	PDP4.2018.303 R	313
	20	3	12.5	86.2	83	12	15L	M22x1.5	ISO 8434-1-L	PDP4.2022.302 R	593	PDP4.2022.303 R	318
	20	3	12.5	86.2	83	12	18L	M26x1.5	ISO 8434-1-L	PDP4.2026.302 R	601	PDP4.2026.303 R	324
	20	3	12.5	86.2	83	12	10S	M18x1.5	ISO 8434-1-S	PDP4.2018.402 R	595	PDP4.2018.403 R	317
	20	3	12.5	86.2	83	12	12S	M20x1.5	ISO 8434-1-S	PDP4.2020.402 R	597	PDP4.2020.403 R	320
	20	3	12.5	88.2	85	14	14S	M22x1.5	ISO 8434-1-S	PDP4.2022.402 R	601	PDP4.2022.403 R	323
	20	3	12.5	88.2	85	14	16S	M24x1.5	ISO 8434-1-S	PDP4.2024.402 R	604	PDP4.2024.403 R	326

SPARE PARTS SEALS



NOMINAL SIZE			MALE GASKET
DNP	BG	ISO	PU(POLYURETHANE)
20	3	12.5	PVT.019.210

THREADS



DOCKING STATION

POS.	PART NUMBER	WEIGHT (g)
1	PPDP.340	1070

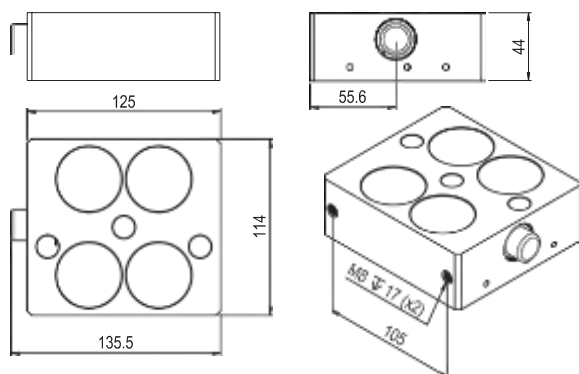
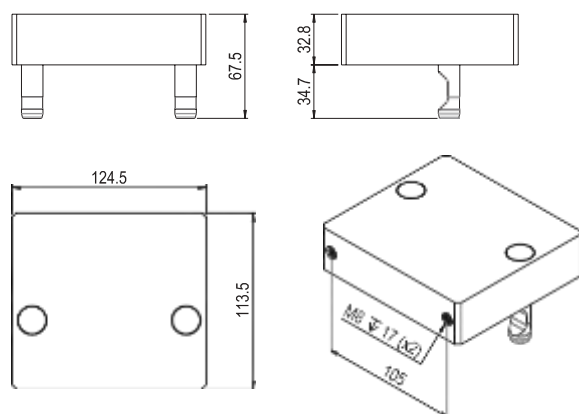


PLATE CAP

POS.	PART NUMBER	WEIGHT (g)
1	SPDP.240	900





- Interchange: FASTER P206
- Occlusion: flat face
- Locking: lever with safety device
- Material: steel and aluminum
- Finishing: Zn-Fe (Cr III), Anodizing
- Threads: BSP-NPT-SAE-METRICS
- Standard seals: NBR and PU
- Working temperature: -25°C+100°C
- Optional seals: FKM, EPDM or more.
- Working pressure: 250 bar
- Connection under residual pressure: allowed (male side only)

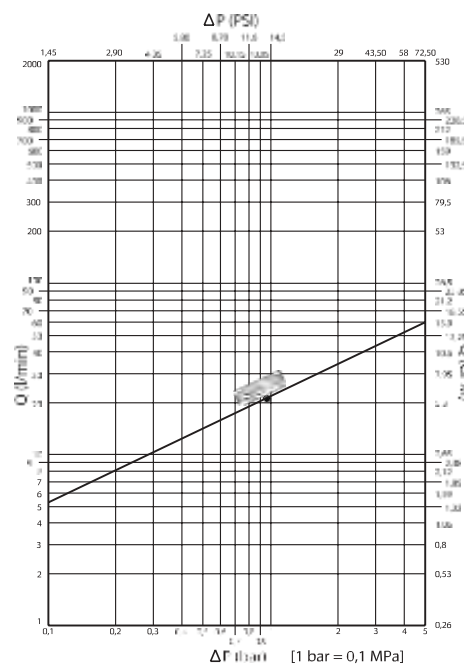
Technische Merkmale

D

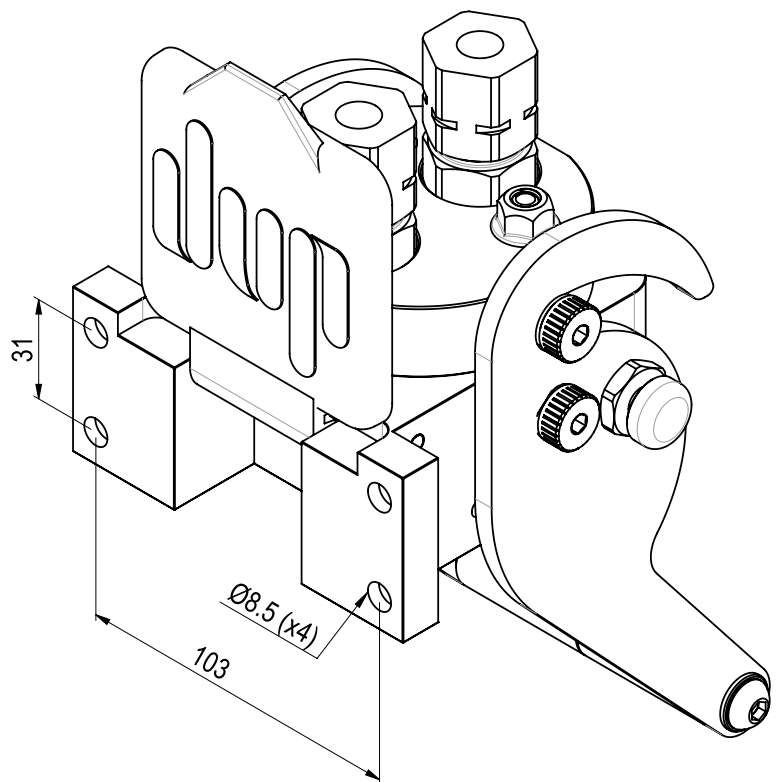
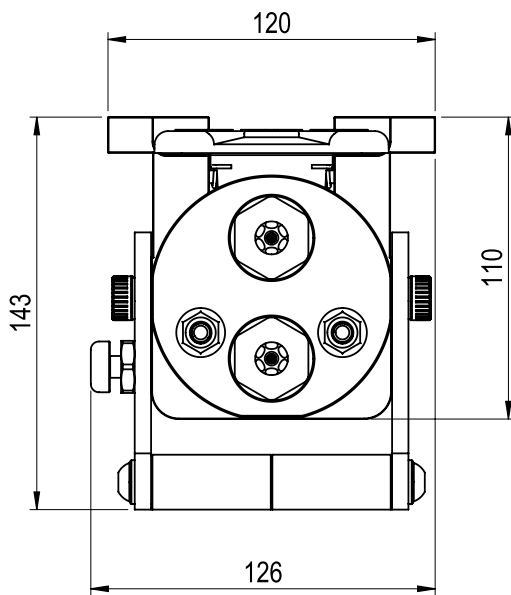
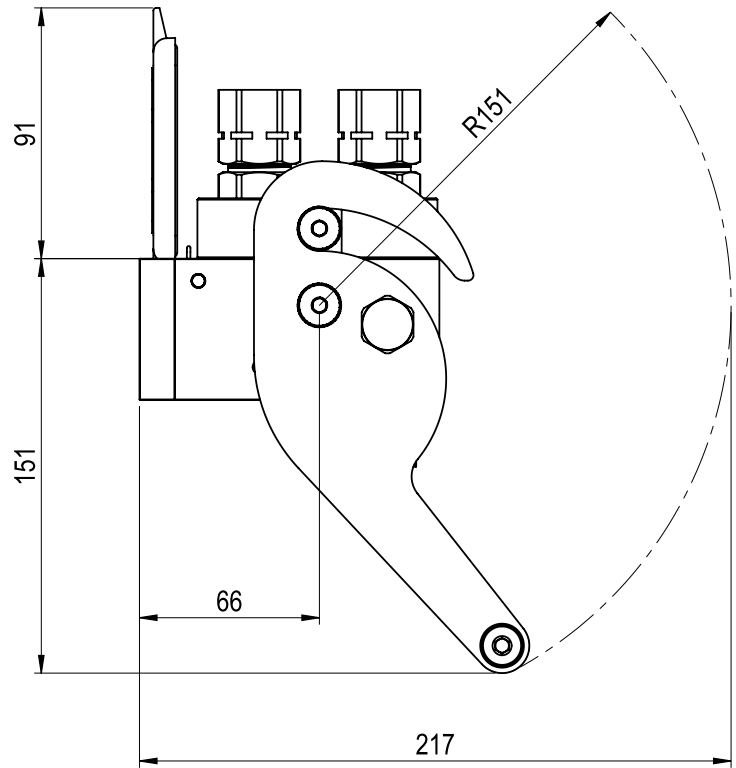
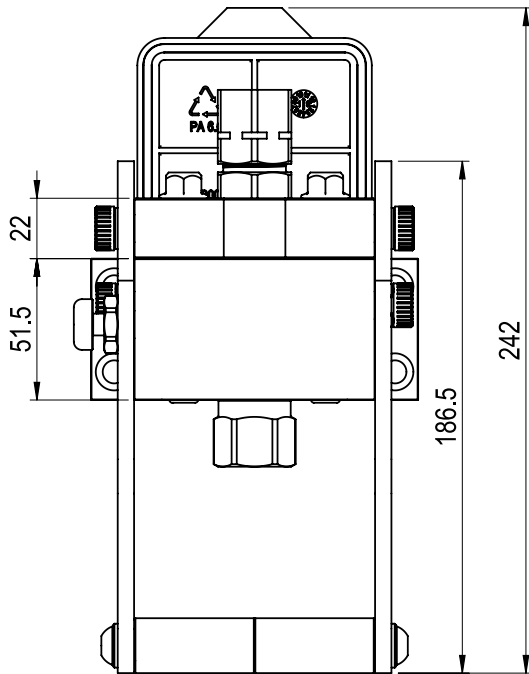
- Norm: FASTER P206
- Verschluss: flachdichtend
- Kupplung: Hebel mit Sicherung
- Werkstoff: Stahl und Aluminium
- Ausführung: Zn-Fe (Cr III), Eloxiert
- Gewinde: BSP-NPT-SAE-METRISCHE
- Standard-Dichtungen: NBR und PU
- Betriebstemperatur: -25°C+100°C
- Dichtungen nach Wahl: FKM, EPDM, usw.
- Betriebsdruck: 250 bar
- Kuppeln unter Restdruck: erlaubt (nur Steckerseite)

Nominal size				Max working pressure	Rated flow	Max flow rate	Min burst pressure			Fluid spillage
DNP	BG	ISO	Ømm				Male	Female	Coupled	
13	2	10	8,6	25	23	46	120	120	120	0.010

1 MPa = 145.04 psi • 1 l = 0.264 gal



PSF2 DIMENSION



PSF2 FIXED



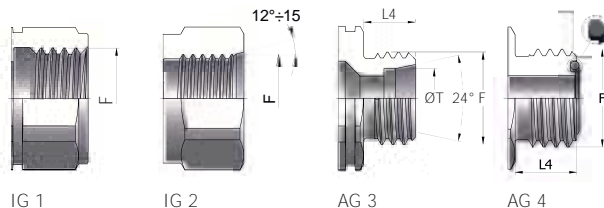
THREADS	DNP	BG	ISO	Housings	No. of Couplings	F	STANDARD	FIXED PART	Weight (g)
								CODE	
IG 1	13	2	10	2	2	BSP 3/8"	DIN 3852-2	PSF2.2CBG.2	2482
	13	2	10	2	2	BSP 1/2"	DIN 3852-2	PSF2.2CCG.2	2450
	13	2	10	2	2	NPT 3/8"	ANSI B1.20.1	PSF2.2CBN.2	2495
	13	2	10	2	2	NPT 1/2"	ANSI B1.20.1	PSF2.2CCN.2	2495
IG 2	13	2	10	2	2	9/16"-18 UNF 2B	SAE J 1926-1	PSF2.2CBU.2	2505
	13	2	10	2	2	3/4"-16 UNF 2B	SAE J 1926-1	PSF2.2CCU.2	2465
AG 3	13	2	10	2	2	M16x1.5-10L	ISO 8434-1-L	PSF2.2CBL.2	2505
	13	2	10	2	2	M18x1.5-12L	ISO 8434-1-L	PSF2.2CCL.2	2502
	13	2	10	2	2	M22x1.5-15L	ISO 8434-1-L	PSF2.2CEL.2	2510
	13	2	10	2	2	M20x1.5-12S	ISO 8434-1-S	PSF2.2CDS.2	2520
AG 4	13	2	10	2	2	13/16"-16 UN	ISO 8434-3	PSF2.2CCO.2	2535

PSF2 MOBILE



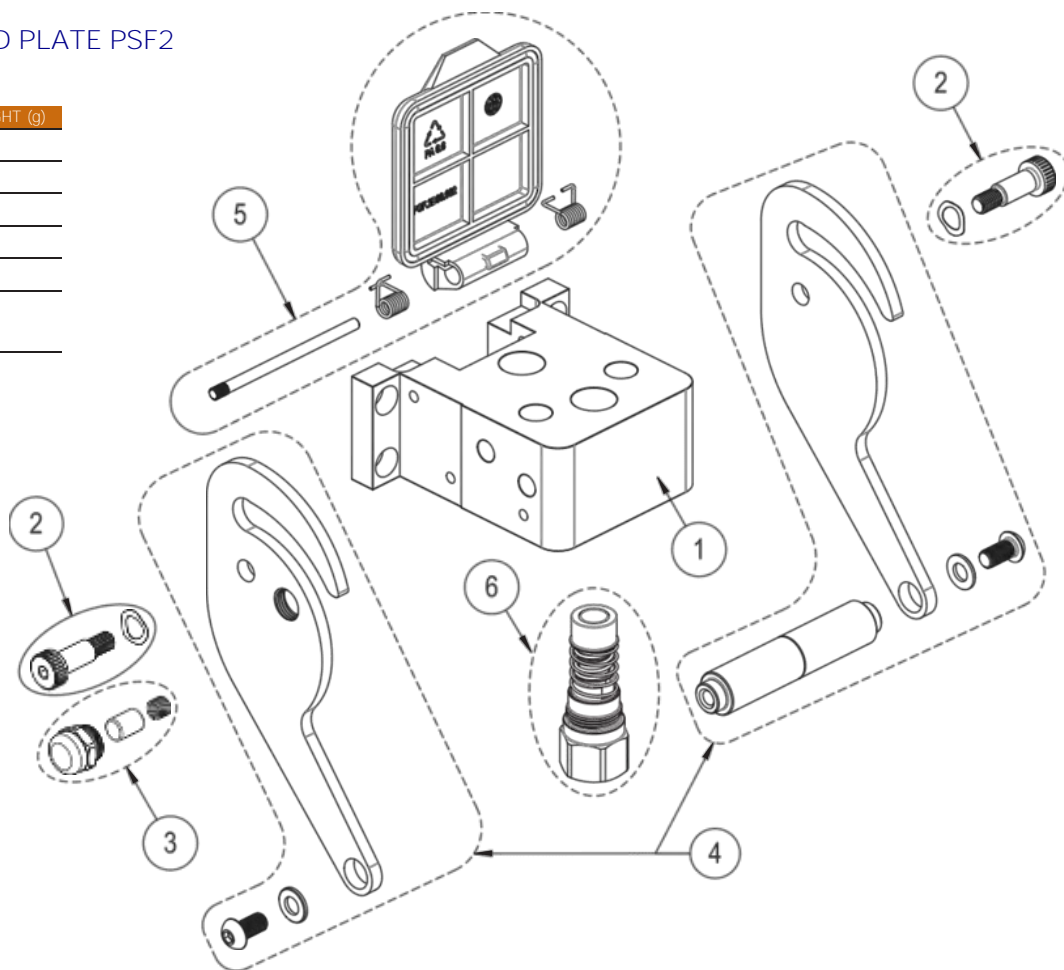
THREADS	DNP	BG	ISO	Housings	No. of Couplings	F	STANDARD	MOBILE PART	Weight (g)
								CODE	
IG 1	13	2	10	2	2	BSP 3/8"	DIN 3852-2	PSF2.2CBG.3	903
	13	2	10	2	2	BSP 1/2"	DIN 3852-2	PSF2.2CCG.3	885
	13	2	10	2	2	NPT 3/8"	ANSI B1.20.1	PSF2.2CBN.3	992
	13	2	10	2	2	NPT 1/2"	ANSI B1.20.1	PSF2.2CCN.3	960
IG 2	13	2	10	2	2	9/16"-18 UNF 2B	SAE J 1926-1	PSF2.2CBU.3	954
	13	2	10	2	2	3/4"-16 UNF 2B	SAE J 1926-1	PSF2.2CCU.3	939
AG 3	13	2	10	2	2	M16x1.5-10L	ISO 8434-1-L	PSF2.2CBL.3	852
	13	2	10	2	2	M18x1.5-12L	ISO 8434-1-L	PSF2.2CCL.3	854
	13	2	10	2	2	M22x1.5-15L	ISO 8434-1-L	PSF2.2CEL.3	864
	13	2	10	2	2	M20x1.5-12S	ISO 8434-1-S	PSF2.2CDS.3	895
AG 4	13	2	10	2	2	13/16"-16 UN	ISO 8434-3	PSF2.2CCO.3	882

THREADS



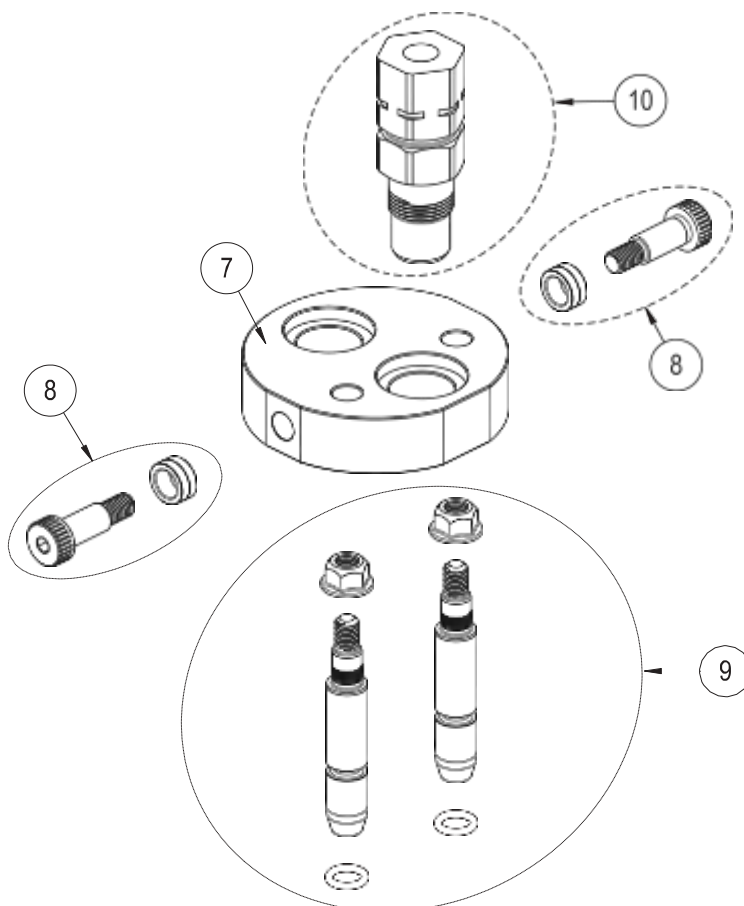
SPARE PARTS FIXED PLATE PSF2

POS.	PART NUMBER	WEIGHT (g)
1	PSF.2B00.102	1011
2	PSQ.KIT.011	51
3	PSF.KIT.050	33
4	PSF.KIT.043	992
5	PSF.KIT.2902	83
6	SEE SPARE PARTS ISO 10	

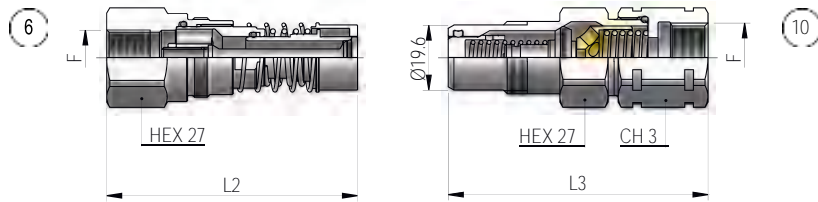


SPARE PARTS MOBILE PLATE PSF2

POS.	PART NUMBER	WEIGHT (g)
7	PSF.2B00.103	295
8	PSF.KIT.020	61
9	PSF.KIT.017	169
10	SEE SPARE PARTS ISO 10	

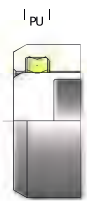


SPARE PARTS ISO 10 COUPLINGS



THREADS	DNP	BG	ISO	L2	CH 3	L3	L4	ØT	F	STANDARD	SPARE PARTS			
											FEMALE - MUFFE		MALE - STECKER	
											COD. F	Weight (g)	COD. M	Weight (g)
IG 1	13	2	10	75.3	27	78			BSP 3/8"	DIN 3852-2	POF4.1310.112 R	150	POF4.1310.113	188
	13	2	10	75.3	27	78			BSP 1/2"	DIN 3852-2	POF4.1313.112 R	135	POF4.1313.113	179
	13	2	10	75.3	30	81			NPT 3/8"	ANSI B1.20.1	POF4.1310.012 R	160	POF4.1310.013	233
	13	2	10	79.3	30	81			NPT 1/2"	ANSI B1.20.1	POF4.1313.012 R	157	POF4.1313.013	217
IG 2	13	2	10	75.4	30	78			9/16"-18 UNF 2B	SAE J 1926-1	POF4.1315.032 R	162	POF4.1315.033	214
	13	2	10	75.3	30	78			3/4"-16 UNF 2B	SAE J 1926-1	POF4.1319.032 R	147	POF4.1319.033	206
AG 3	13	2	10	83.3	27	76	11	10L	M16x1.5	ISO 8434-1-L	POF4.1316.302 R	160	POF4.1316.303	163
	13	2	10	83.3	27	76	11	12L	M18x1.5	ISO 8434-1-L	POF4.1318.302 R	160	POF4.1318.303	164
	13	2	10	84.3	27	77	12	15L	M22x1.5	ISO 8434-1-L	POF4.1322.302 R	165	POF4.1322.303	169
	13	2	10	84.3	30	77	12	12S	M20x1.5	ISO 8434-1-S	POF4.1320.402 R	170	POF4.1320.403	184
AG 4	13	2	10	84.3	27	77	12	18L	M26x1.5	ISO 8434-1-L	POF4.1326.302 R	162	POF4.1326.303	173
AG 4	13	2	10	85.3	27	78	13		13/16"-16 UN	ISO 8434-3	POF4.1321.432 R	170	POF4.1321.433	178

SPARE PARTS SEALS



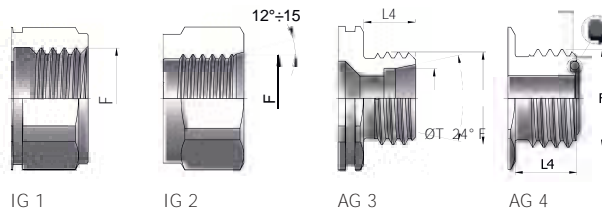
NOMINAL SIZE			MALE GASKET
DNP	BG	ISO	PU(POLYURETHANE)
13	2	10	PLK.013.210

PLUGS



NOMINAL SIZE			PART NUMBER	COLOR	MATERIAL
DNP	BG	ISO			
13	2	10	TPOF13		PVC

THREADS





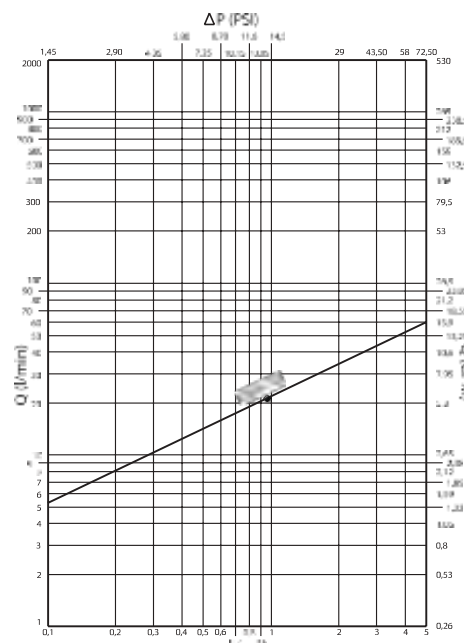
- Interchange: Faster P506
- Occlusion: flat face
- Locking: lever with safety device
- Material: steel and aluminum
- Finishing: Zn-Fe (Cr III), Anodizing
- Threads: BSP-NPT-SAE-METRICS
- Standard seals: NBR and PU
- Working temperature: -25°C+100°C
- Optional seals: FKM,EPDM or more.
- Working pressure: 250 bar
- Connection under residual pressure: allowed (male side only)

Technische Merkmale D

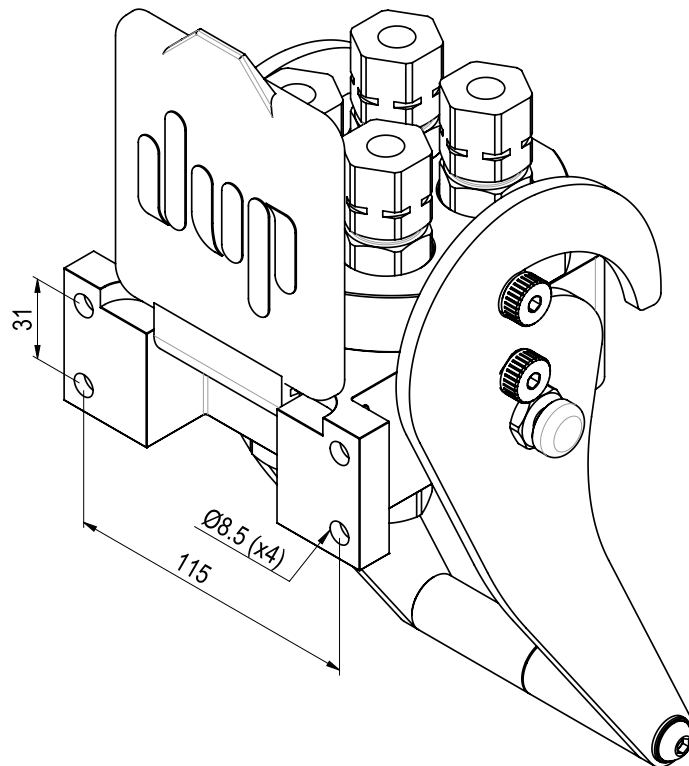
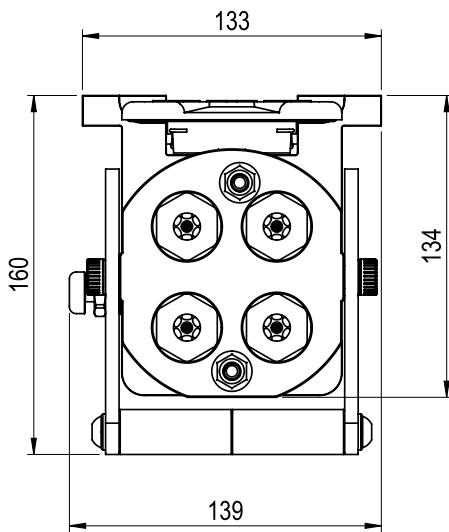
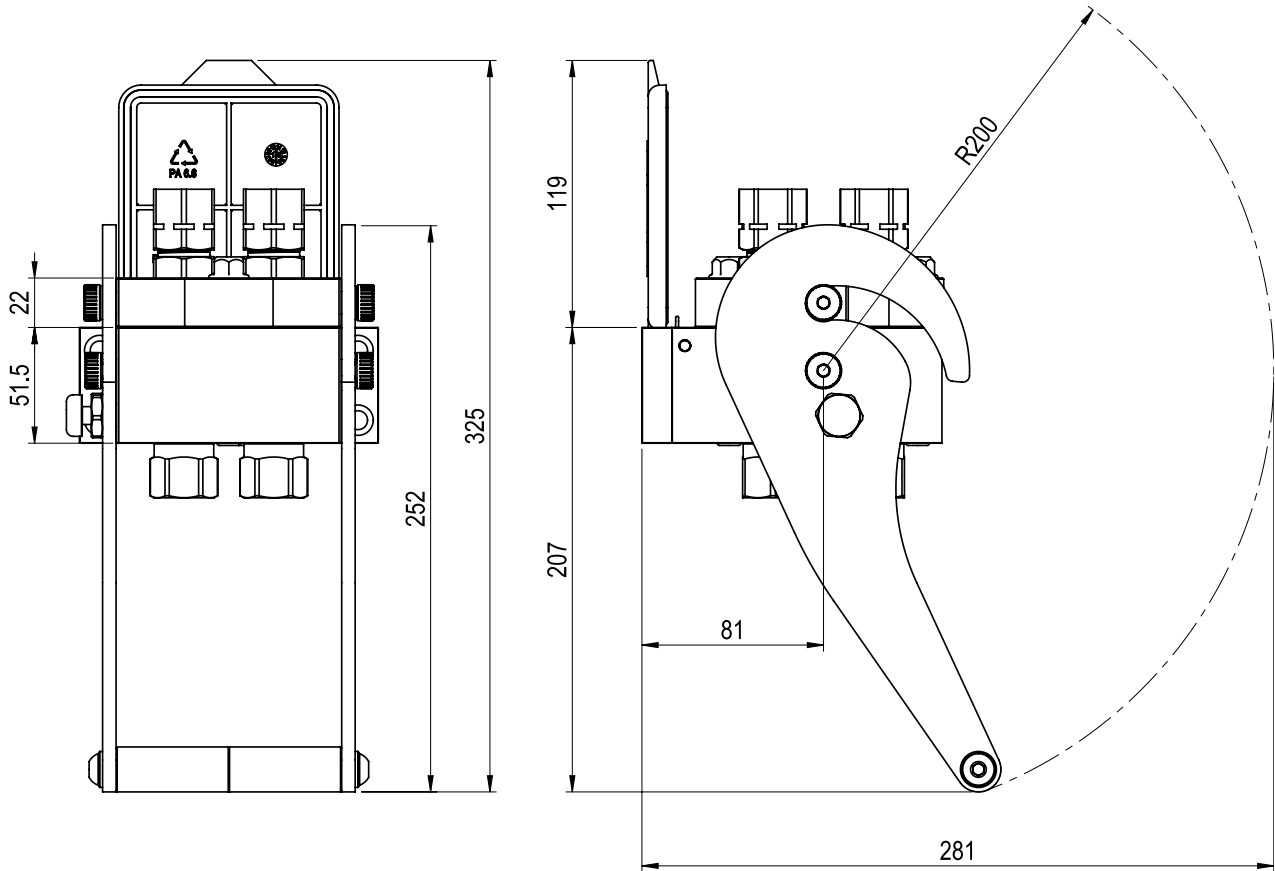
- Norm: Faster P506
- Verschluss: flachdichtend
- Kupplung: Hebel mit Sicherung
- Werkstoff: Stahl und Aluminium
- Ausführung: Zn-Fe (Cr III), Eloxiert
- Gewinde: BSP-NPT-SAE-METRISCHE
- Standard-Dichtungen: NBR und PU
- Betriebstemperatur: -25°C+100°C
- Dichtungen nach Wahl: FKM,EPDM,usw.
- Betriebsdruck: 250 bar
- Kuppeln unter Restdruck: erlaubt (nur Steckerseite)

Nominal size				Max working pressure	Rated flow	Max flow rate	Min burst pressure			Fluid spillage
DNP	BG	ISO	Ømm	MPa	l/min	l/min	Male	Female	Coupled	cc
13	2	10	8.6	25	23	46	120	120	120	0.010

1 MPa = 145.04 psi • 1 l = 0.264 gal



PSF4 DIMENSION



PSF4 FIXED



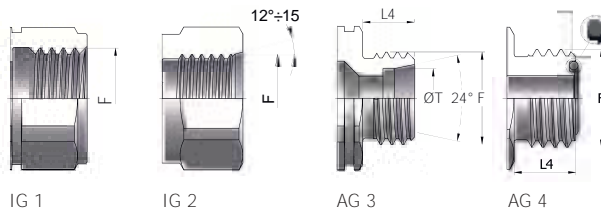
THREADS	DNP	BG	ISO	Housings	No. of Couplings	F	STANDARD	FIXED PART	
								CODE	Weight (g)
IG 1	13	2	10	4	4	BSP 3/8"	DIN 3852-2	PSF4.4CBG.2	3640
	13	2	10	4	3	BSP 3/8"	DIN 3852-2	PSF4.3CBG.2	3500
	13	2	10	4	4	BSP 1/2"	DIN 3852-2	PSF4.4CCG.2	3580
	13	2	10	4	4	NPT 3/8"	ANSI B1.20.1	PSF4.4CBN.2	3680
	13	2	10	4	4	NPT 1/2"	ANSI B1.20.1	PSF4.4CCN.2	3670
IG 2	13	2	10	4	4	9/16"-18 UNF 2B	SAE J 1926-1	PSF4.4CBU.2	3690
	13	2	10	4	4	3/4"-16 UNF 2B	SAE J 1926-1	PSF4.4CCU.2	3630
AG 3	13	2	10	4	4	M16x1.5-10L	ISO 8434-1-L	PSF4.4CBL.2	3710
	13	2	10	4	4	M18x1.5-12L	ISO 8434-1-L	PSF4.4CCL.2	3680
	13	2	10	4	4	M22x1.5-15L	ISO 8434-1-L	PSF4.4CEL.2	3700
	13	2	10	4	4	M20x1.5-12S	ISO 8434-1-S	PSF4.4CDS.2	3720
	13	2	10	4	4	M26x1.5-18L	ISO 8434-1-L	PSF4.4CGL.2	3740
AG 4	13	2	10	4	4	13/16"-16 UN	ISO 8434-3	PSF4.4CCO.2	3760

PSF4 MOBILE



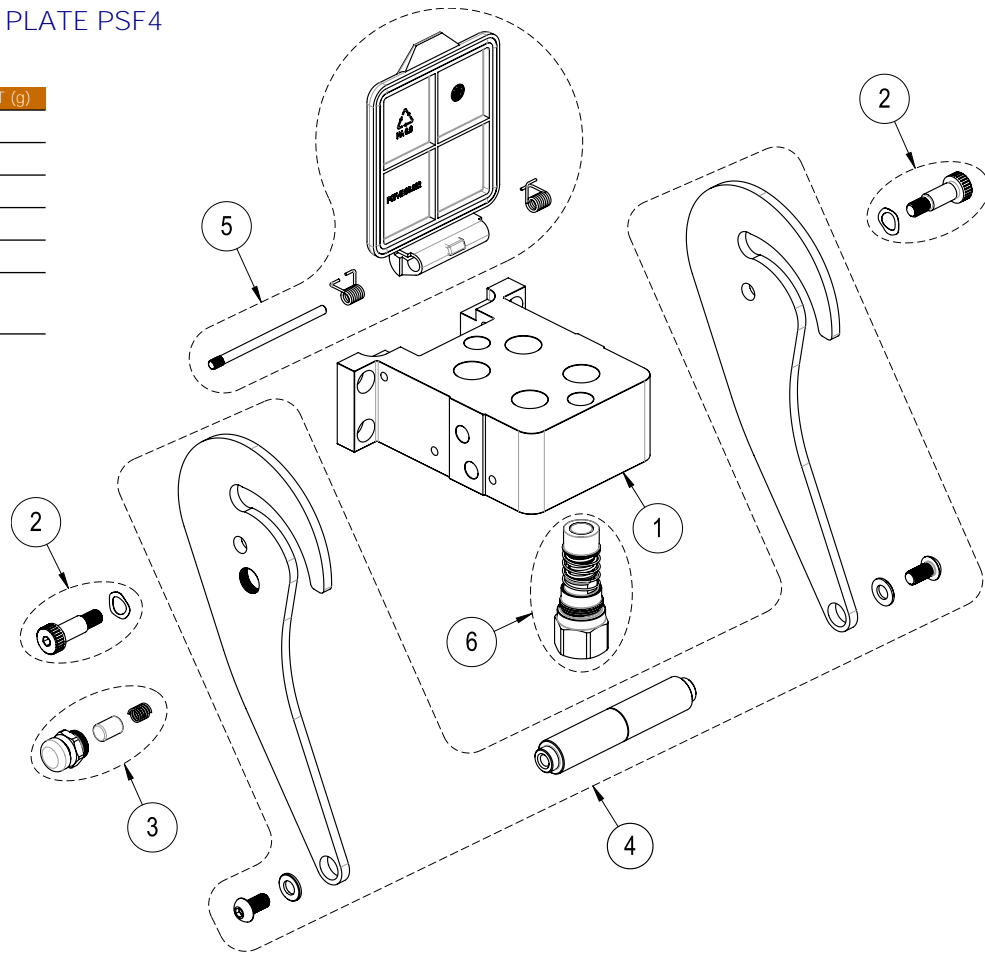
THREADS	DNP	BG	ISO	Housings	No. of Couplings	F	STANDARD	MOBILE PART	
								CODE	Weight (g)
IG 1	13	2	10	4	4	BSP 3/8"	DIN 3852-2	PSF4.4CBG.2	1415
	13	2	10	4	3	BSP 3/8"	DIN 3852-2	PSF4.3CBG.2	1230
	13	2	10	4	4	BSP 1/2"	DIN 3852-2	PSF4.4CCG.2	1380
	13	2	10	4	4	NPT 3/8"	ANSI B1.20.1	PSF4.4CBN.2	1595
	13	2	10	4	4	NPT 1/2"	ANSI B1.20.1	PSF4.4CCN.2	1530
IG 2	13	2	10	4	4	9/16"-18 UNF 2B	SAE J 1926-1	PSF4.4CBU.2	1520
	13	2	10	4	4	3/4"-16 UNF 2B	SAE J 1926-1	PSF4.4CCU.2	1490
AG 3	13	2	10	4	4	M16x1.5-10L	ISO 8434-1-L	PSF4.4CBL.2	1315
	13	2	10	4	4	M18x1.5-12L	ISO 8434-1-L	PSF4.4CCL.2	1320
	13	2	10	4	4	M22x1.5-15L	ISO 8434-1-L	PSF4.4CEL.2	1340
	13	2	10	4	4	M20x1.5-12S	ISO 8434-1-S	PSF4.4CDS.2	1400
	13	2	10	4	4	M26x1.5-18L	ISO 8434-1-L	PSF4.4CGL.2	1360
AG 4	13	2	10	4	4	13/16"-16 UN	ISO 8434-3	PSF4.4CCO.2	1375

THREADS



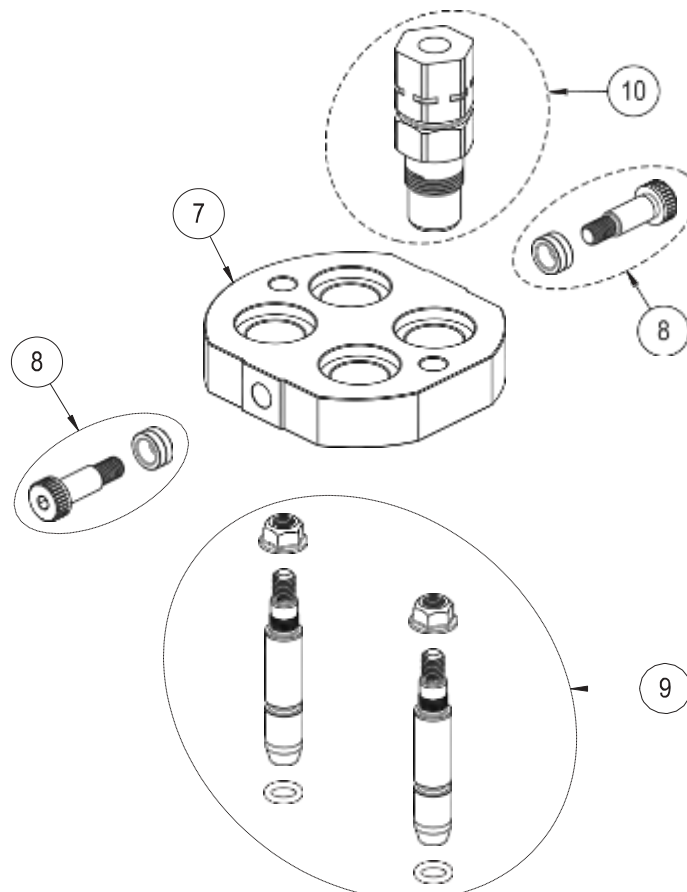
SPARE PARTS FIXED PLATE PSF4

POS.	PART NUMBER	WEIGHT (g)
1	PSF.4B00.102	1370
2	PSQ.KIT.011	51
3	PSF.KIT.050	33
4	PSF.KIT.042	1505
5	PSF.KIT.4902	114
6	SEE SPARE PARTS ISO 10	

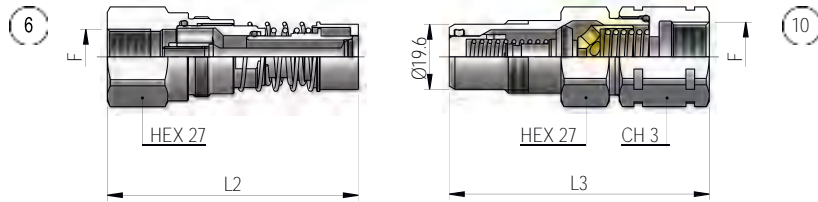


SPARE PARTS MOBILE PLATE PSF4

POS.	PART NUMBER	WEIGHT (g)
7	PSF.4B00.103	438
8	PSF.KIT.020	61
9	PSF.KIT.017	169
10	SEE SPARE PARTS ISO 10	

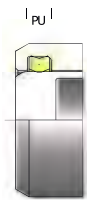


SPARE PARTS ISO 10 COUPLINGS



THREADS	DNP	BG	ISO	L2	CH 3	L3	L4	ØT	F	STANDARD	SPARE PARTS			
											FEMALE - MUFFE		MALE - STECKER	
											COD. F	Weight (g)	COD. M	Weight (g)
IG 1	13	2	10	75.3	27	78			BSP 3/8"	DIN 3852-2	POF4.1310.112 R	150	POF4.1310.113	188
	13	2	10	75.3	27	78			BSP 1/2"	DIN 3852-2	POF4.1313.112 R	135	POF4.1313.113	179
	13	2	10	75.3	30	81			NPT 3/8"	ANSI B1.20.1	POF4.1310.012 R	160	POF4.1310.013	233
	13	2	10	79.3	30	81			NPT 1/2"	ANSI B1.20.1	POF4.1313.012 R	157	POF4.1313.013	217
IG 2	13	2	10	75.4	30	78			9/16"-18 UNF 2B	SAE J 1926-1	POF4.1315.032 R	162	POF4.1315.033	214
	13	2	10	75.3	30	78			3/4"-16 UNF 2B	SAE J 1926-1	POF4.1319.032 R	147	POF4.1319.033	206
AG 3	13	2	10	83.3	27	76	11	10L	M16x1.5	ISO 8434-1-L	POF4.1316.302 R	160	POF4.1316.303	163
	13	2	10	83.3	27	76	11	12L	M18x1.5	ISO 8434-1-L	POF4.1318.302 R	160	POF4.1318.303	164
	13	2	10	84.3	27	77	12	15L	M22x1.5	ISO 8434-1-L	POF4.1322.302 R	165	POF4.1322.303	169
	13	2	10	84.3	30	77	12	12S	M20x1.5	ISO 8434-1-S	POF4.1320.402 R	170	POF4.1320.403	184
AG 4	13	2	10	84.3	27	77	12	18L	M26x1.5	ISO 8434-1-L	POF4.1326.302 R	162	POF4.1326.303	173
AG 4	13	2	10	85.3	27	78	13		13/16"-16 UN	ISO 8434-3	POF4.1321.432 R	170	POF4.1321.433	178

SPARE PARTS SEALS



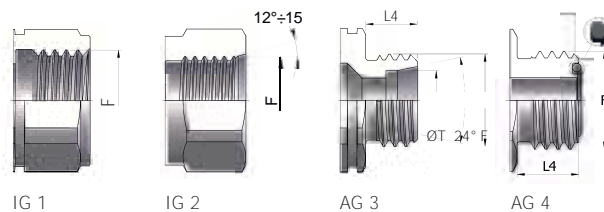
NOMINAL SIZE			MALE GASKET
DNP	BG	ISO	PU (POLYURETHANE)
13	2	10	PLK.013.210

PLUGS



NOMINAL SIZE			PART NUMBER	COLOR	MATERIAL
DNP	BG	ISO			
13	2	10	TPOF13	●	PVC

THREADS





- Interchange: FASTER P510
- Occlusion: flat face
- Locking: lever with safety device
- Material: steel and aluminum
- Finishing: Zn-Fe (Cr III), Anodizing
- Threads: BSP-SAE
- Standard seals: NBR and PU
- Working temperature: -25°C+100°C
- Optional seals: FKM, EPDM or more.
- Working pressure: 250 bar
- Connection under residual pressure: allowed (male side only)

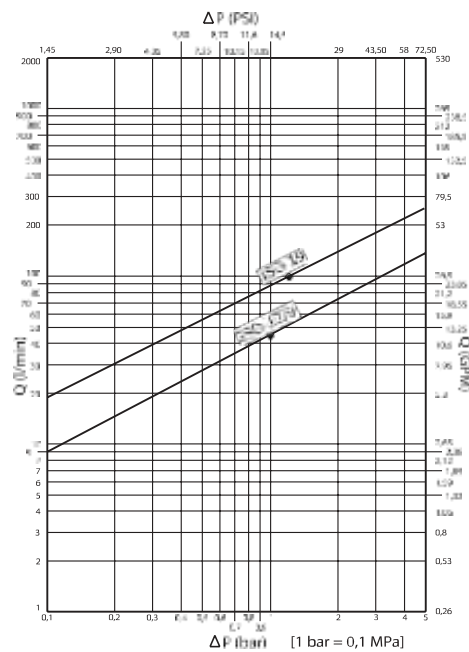
Technische Merkmale

D

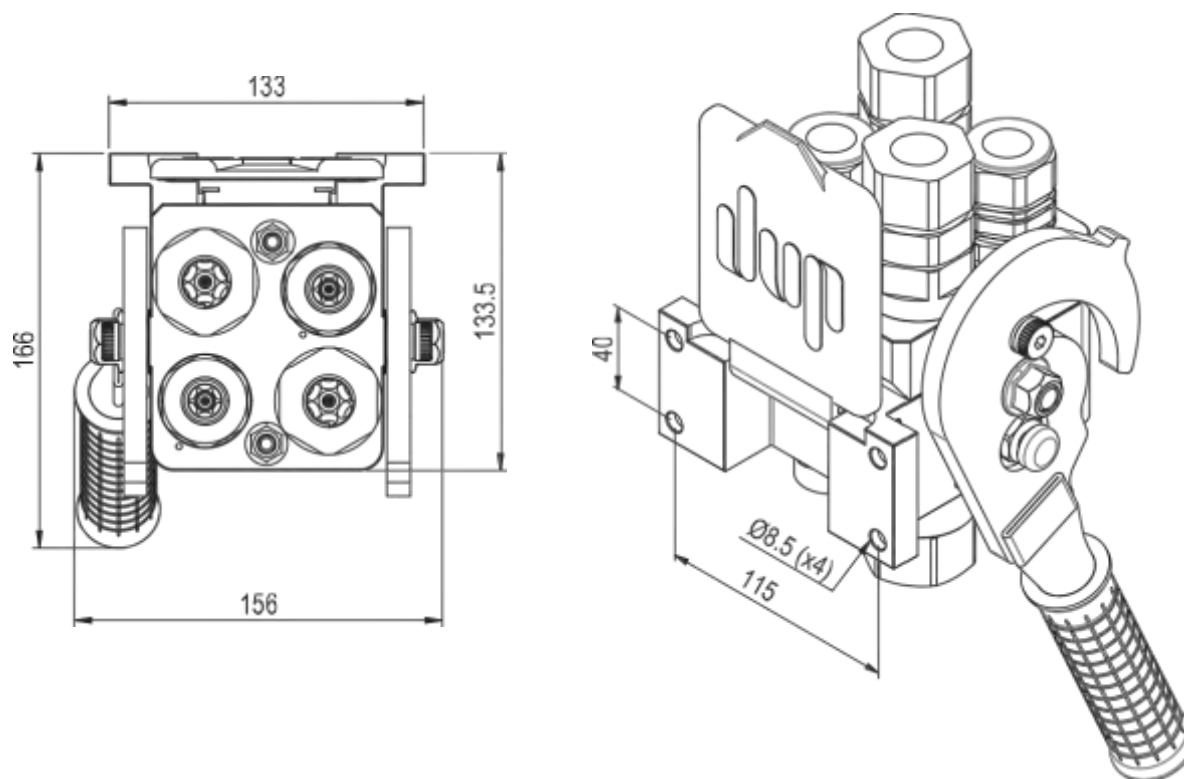
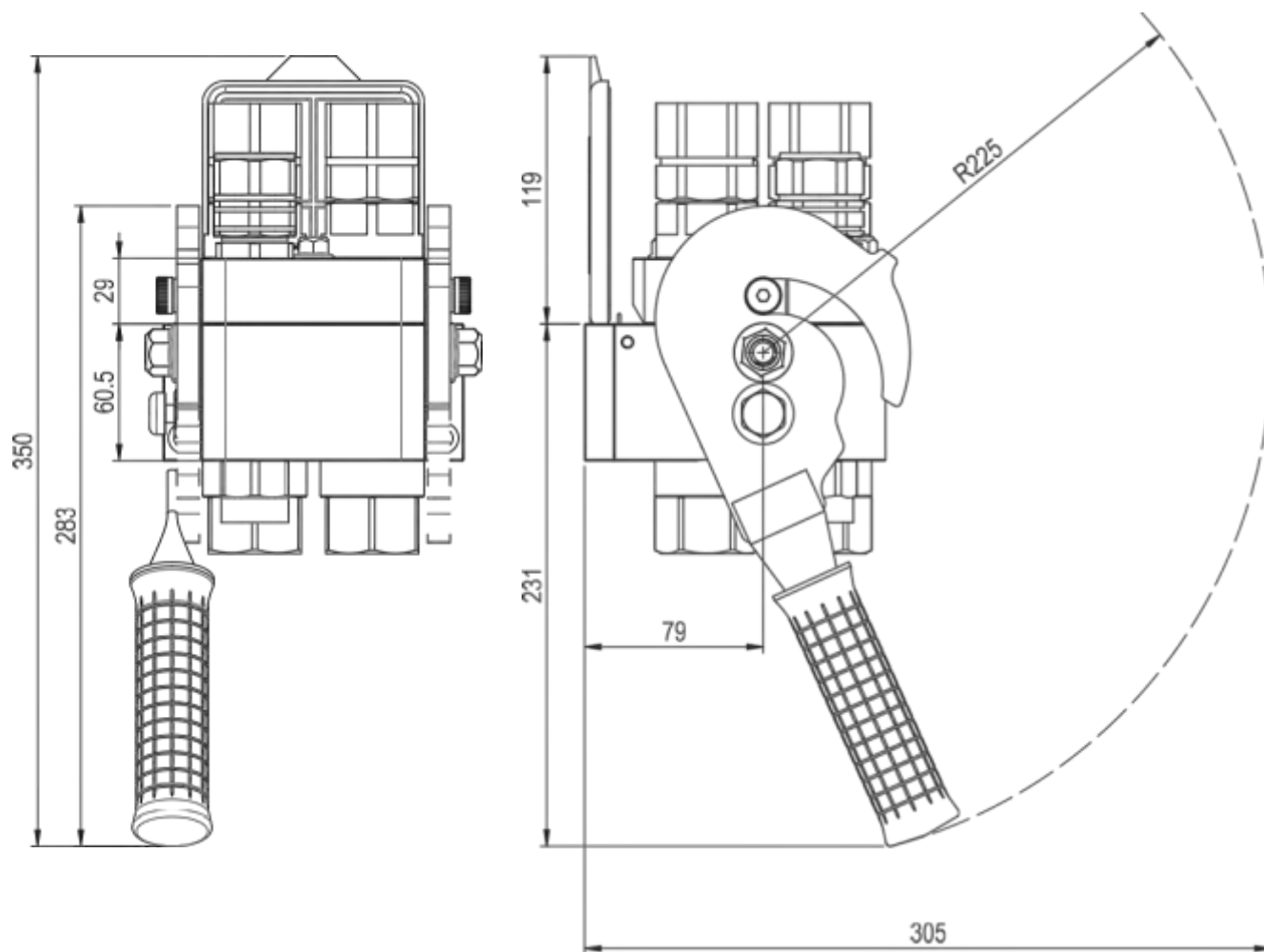
- Austauschbarkeit: FASTER P510
- Verschluss: flachdichtend
- Kupplung: Hebel mit Sicherung
- Werkstoff: Stahl und Aluminium
- Ausführung: Zn-Fe (Cr III), Eloxiert
- Gewinde: BSP-SAE
- Standard-Dichtungen: NBR und PU
- Betriebstemperatur: -25°C+100°C
- Dichtungen nach Wahl: FKM, EPDM, usw.
- Betriebsdruck: 250 bar
- Kuppeln unter Restdruck: erlaubt (nur Steckerseite)

Nominal size				Max working pressure	Rated flow	Max flow rate	Min burst pressure			Fluid spillage
DNP	BG	ISO	Ømm				Male	Female	Coupled	
20	3	12.5	10.7	25	45	90	120	120	120	0.012
25	4	19	14.8	25	100	200	120	120	120	0.020

1 MPa = 145.04 psi • 1 l = 0.264 gal



PSF4 DIMENSION



PSF4 FIXED



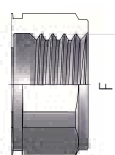
THREADS	DNP	BG	ISO	Housings	No. of Couplings	F	STANDARD	FIXED PART	
								CODE	Weight (g)
IG 1	20	3	12.5	4	2	BSP 1/2"	DIN 3852-2	PSF4.2GCG.2EDG.2	4750
	25	4	19			BSP 3/4"			
	20	3	12.5	4	1	BSP 1/2"			
	25	4	19			BSP 3/4"			
	20	3	12.5	4	1	BSP 1/2"			
	25	4	19			BSP 3/4"			
20	3	12.5	4	0	-				
25	4	19			BSP 3/4"				
IG 2	20	3	12.5	4	2	1"-1/16-12 UN 2B	SAE J 1926-1	PSF4.2GDU.2ECU.2	4970
	25	4	19			3/4"-16 UNF 2B			
	20	3	12.5	4	0	-			
	25	4	19			1"-1/16-12 UN 2B			

PSF4 MOBILE

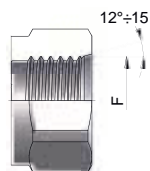


THREADS	DNP	BG	ISO	Housings	No. of Couplings	F	STANDARD	MOBILE PART	
								CODE	Weight (g)
IG 1	20	3	12.5	4	2	BSP 1/2"	DIN 3852-2	PSF4.2GCG.2EDG.3	3070
	25	4	19			BSP 3/4"			
	20	3	12.5	4	1	BSP 1/2"			
	25	4	19			BSP 3/4"			
	20	3	12.5	4	1	BSP 1/2"			
	25	4	19			BSP 3/4"			
20	3	12.5	4	0	-				
25	4	19			BSP 3/4"				
IG 2	20	3	12.5	4	2	1"-1/16-12 UN 2B	SAE J 1926-1	PSF4.2GDU.2ECU.3	3180
	25	4	19			3/4"-16 UNF 2B			
	20	3	12.5	4	0	-			
	25	4	19			1"-1/16-12 UN 2B			

THREADS



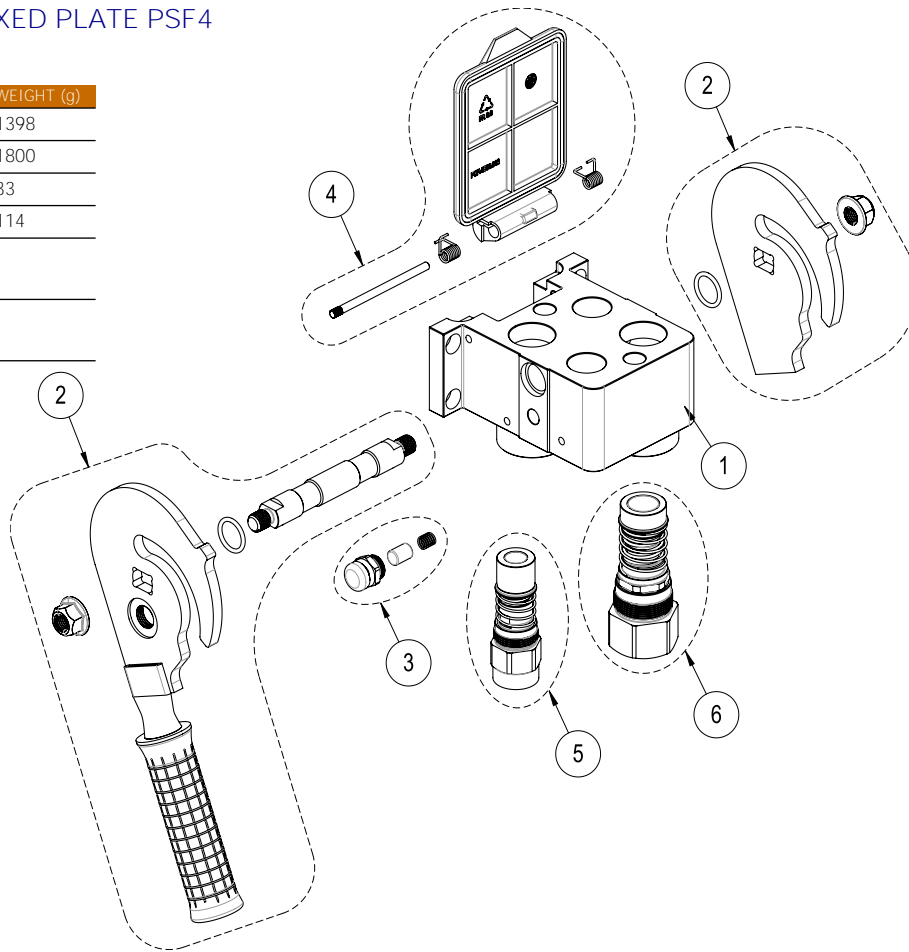
IG 1



IG 2

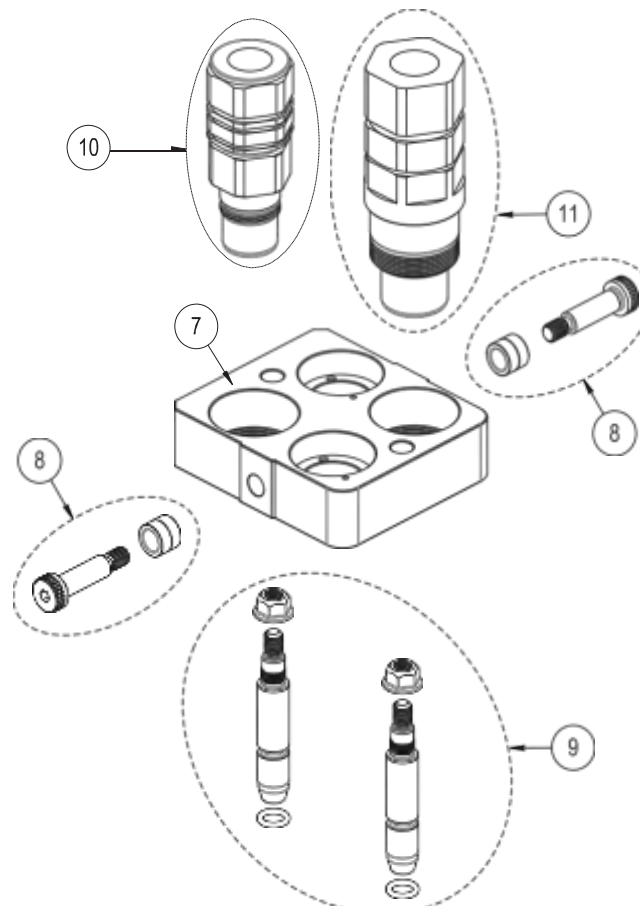
SPARE PARTS FIXED PLATE PSF4

POS.	PART NUMBER	WEIGHT (g)
1	PSF.2C2G.102	1398
2	PSF.KIT.442	1800
3	PSF.KIT.050	33
4	PSF.KIT.4902	114
5	SEE SPARE PARTS ISO 12.5	
6	SEE SPARE PARTS ISO 19	

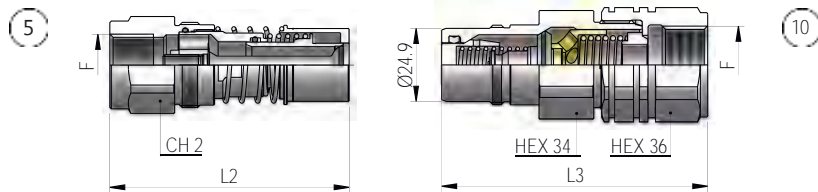


SPARE PARTS MOBILE PLATE PSF4

POS.	PART NUMBER	WEIGHT (g)
7	PSF.2C2G.103	501
8	PSF.KIT.120	72
9	PSF.KIT.017	169
10	SEE SPARE PARTS ISO 12.5	
11	SEE SPARE PARTS ISO 19	

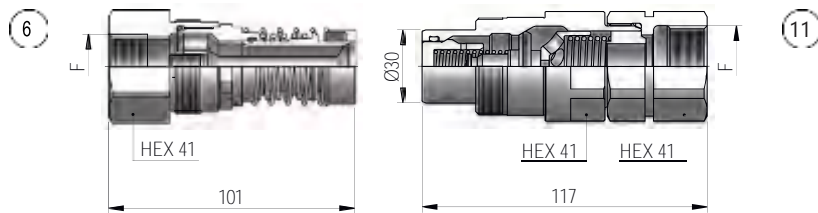


SPARE PARTS ISO 12.5 COUPLINGS

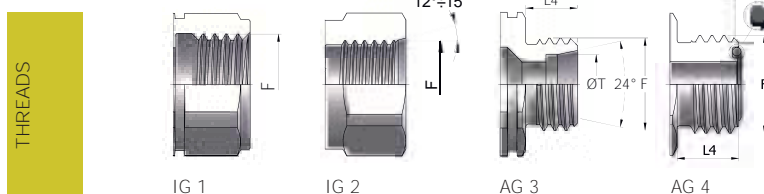


THREADS	DNP	BG	ISO	CH 2	L2	L3	L4	ØT	F	STANDARD	SPARE PARTS			
											COD. F	Weight (g)	COD. M	Weight (g)
IG 1	20	3	12.5	30	82	89.5			BSP 1/2"	DIN 3852-2	POF4.2013.112 R	208	POF4.2013.113	400
	20	3	12.5	30	83	91.8			NPT 1/2"	ANSI B1.20.1	POF4.2013.012 R	214	POF4.2013.013	413
	20	3	12.5	34	84	91.5			BSP 3/4"	DIN 3852-2	POF4.2019.112 R	223	POF4.2019.113	380
IG 2	20	3	12.5	30	82	87			3/4"-16 UNF 2B	SAE J 1926-1	POF4.2019.032 R	212	POF4.2019.033	392
	20	3	12.5	34	87	91			1-1/16"-12 UN 2B	SAE J 1926-1	POF4.2027.032 R	229	POF4.2027.033	401
AG 3	20	3	12.5	30	86	87	11	12L	M18x1.5	ISO 8434-1-L	POF4.2018.302 R	209	POF4.2018.303	338
	20	3	12.5	30	87	88	12	15L	M22x1.5	ISO 8434-1-L	POF4.2022.302 R	215	POF4.2022.303	343
	20	3	12.5	30	87	88	12	12S	M20x1.5	ISO 8434-1-S	POF4.2020.402 R	218	POF4.2020.403	345
AG 4	20	3	12.5	30	87.3	89	13		13/16"-16 UN	ISO 8434-3	POF4.2020.432 R	219	POF4.2020.433	354

SPARE PARTS ISO 19 COUPLINGS



THREADS	DNP	BG	ISO	F	STANDARD	SPARE PARTS			
						FEMALE - MUFFE		MALE - STECKER	
						COD. F	Weight (g)	COD. M	Weight (g)
IG 1	25	4	19	BSP 3/4"	DIN 3852-2	POF4.2519.112 R	454	POF4.2519.113	760
	25	4	19	BSP 1"	DIN 3852-2	POF4.2525.112 R	404	POF4.2525.113	696
IG 2	25	4	19	3/4"-16 UNF 2B	SAE J 1926-1	POF4.2519.032 R	493	POF4.2519.033	815
	25	4	19	1-1/16"-12 UN 2B	SAE J 1926-1	POF4.2527.032 R	445	POF4.2527.033	754



SPARE PARTS SEALS



NOMINAL SIZE			MALE GASKET
DNP	BG	ISO	PU (POLYURETHANE)
20	3	12.5	PVT.019.210
25	4	19	PVT.025.210

PLUGS



NOMINAL SIZE			PART NUMBER	COLOR	MATERIAL
DNP	BG	ISO			
20	3	12.5	TPOF20		PVC



NOMINAL SIZE			PART NUMBER	COLOR	MATERIAL
DNP	BG	ISO			
25	4	19	TPOF25		PVC



- Interchange: FASTER P510
- Occlusion: flat face
- Locking: lever with safety device
- Material: steel and aluminum
- Finishing: Zn-Fe (Cr III), Anodizing
- Threads: BSP-SAE
- Standard seals: NBR and PU
- Working temperature: -25°C+100°C
- Optional seals: FKM, EPDM or more.
- Working pressure: 250 bar
- Connection under residual pressure: allowed (male side only)

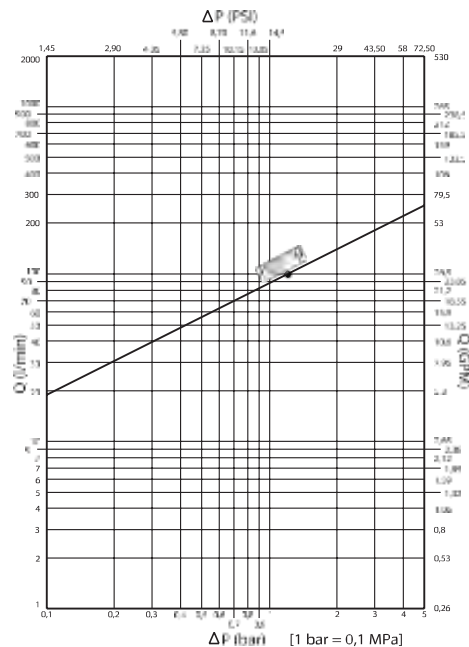
Technische Merkmale

D

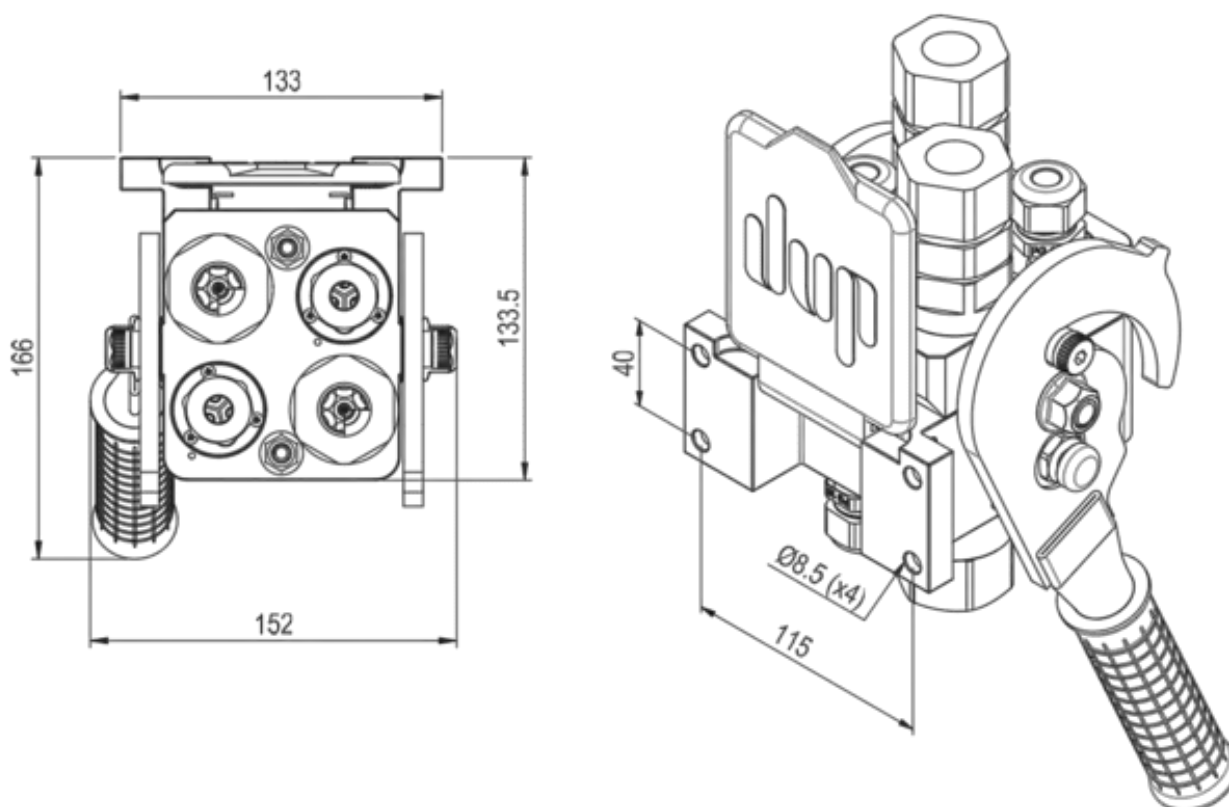
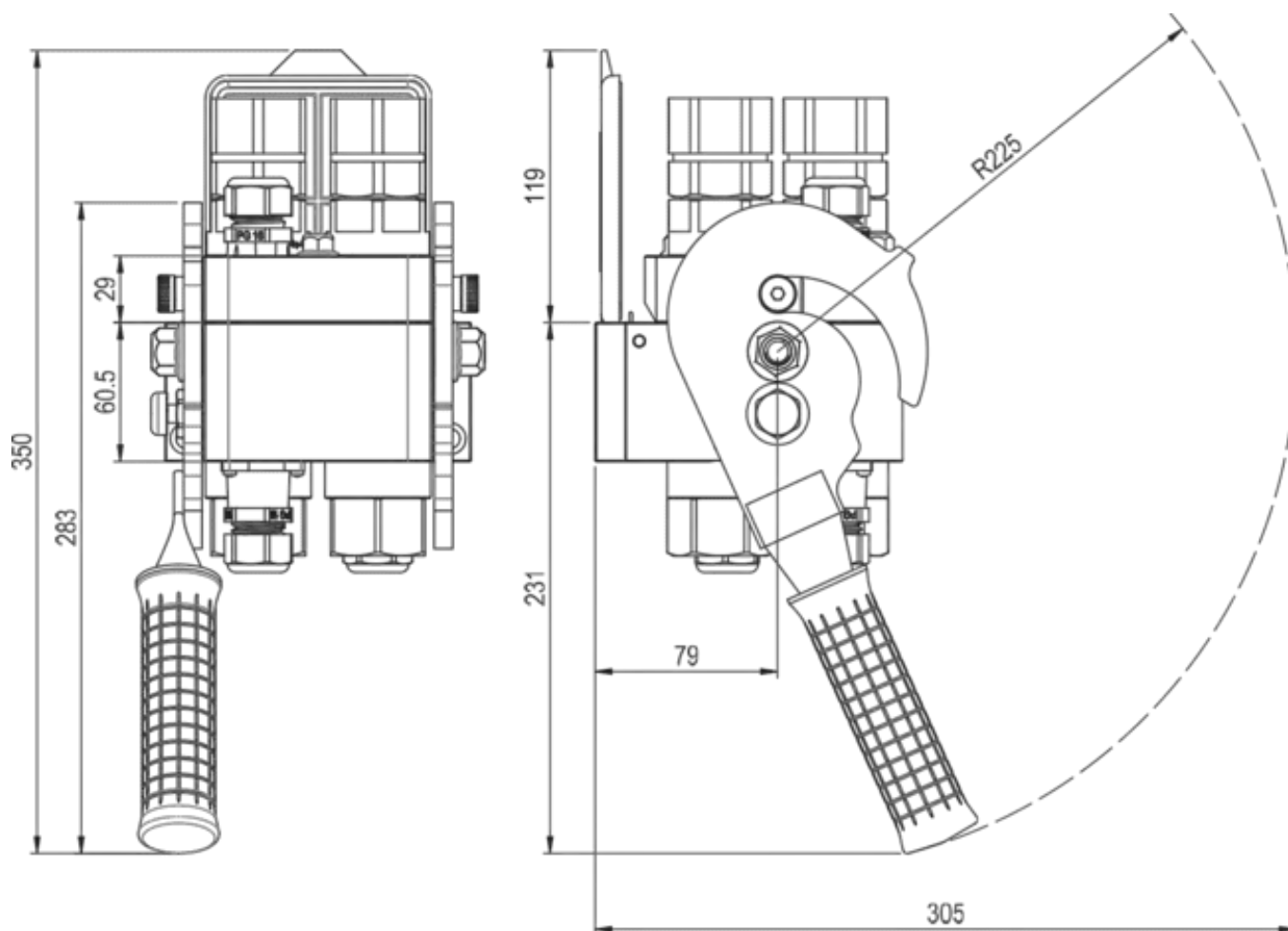
- Austauschbarkeit: FASTER P510
- Verschluss: flachdichtend
- Kupplung: Hebel mit Sicherung
- Werkstoff: Stahl und Aluminium
- Ausführung: Zn-Fe (Cr III), Eloxier
- Gewinde: BSP-SAE
- Standard-Dichtungen: NBR und PU
- Betriebstemperatur: -25°C+100°C
- Dichtungen nach Wahl: FKM, EPDM, usw.
- Betriebsdruck: 250 bar
- Kuppeln unter Restdruck: erlaubt (nur Steckerseite)

Nominal size				Max working pressure MPa	Rated flow l/min	Max flow rate l/min	Min burst pressure			Fluid spillage cc
DNP	BG	ISO	Ømm				Male MPa	Female MPa	Coupled MPa	
25	4	19	14.8	25	100	200	120	120	120	0.020

1 MPa = 145.04 psi • 1 l = 0.264 gal



PSF4 DIMENSION



PSF4 FIXED



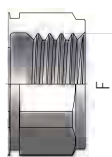
THREADS	DNP	BG	ISO	Housings	No. of Couplings	F	STANDARD	Electrical Connector		FIXED PART	
								No.	PINS	CODE	Weight (g)
IG 1	20	3	12.5	4	0	-	DIN 3852-2	1	3	PSF4.1GCG.2EDG.3P.2	4360
	25	4	19		2	BSP 3/4"					
IG 2	20	3	12.5	4	0	-	SAE J 1926-1	1	3	PSF4.1GDU.2ECU.3P.2	4800
	25	4	19		2	3/4"-16 UNF 2B					
	20	3	12.5	4	0	-	SAE J 1926-1	1	3	PSF4.2EDU.3P.2	4480
	25	4	19		2	1"-1/16-12 UN 2B					

PSF4 MOBILE

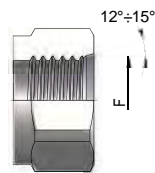


THREADS	DNP	BG	ISO	Housings	No. of Couplings	F	STANDARD	Electrical Connector		MOBILE PART	
								No.	PINS	CODE	Weight (g)
IG 1	20	3	12.5	4	0	-	DIN 3852-2	1	3	PSF4.1GCG.2EDG.3P.3	2710
	25	4	19		2	BSP 3/4"					
IG 2	20	3	12.5	4	0	-	SAE J 1926-1	1	3	PSF4.1GDU.2ECU.3P.3	2820
	25	4	19		2	3/4"-16 UNF 2B					
	20	3	12.5	4	0	-	SAE J 1926-1	1	3	PSF4.2EDU.3P.3	2300
	25	4	19		2	1"-1/16-12 UN 2B					

THREADS



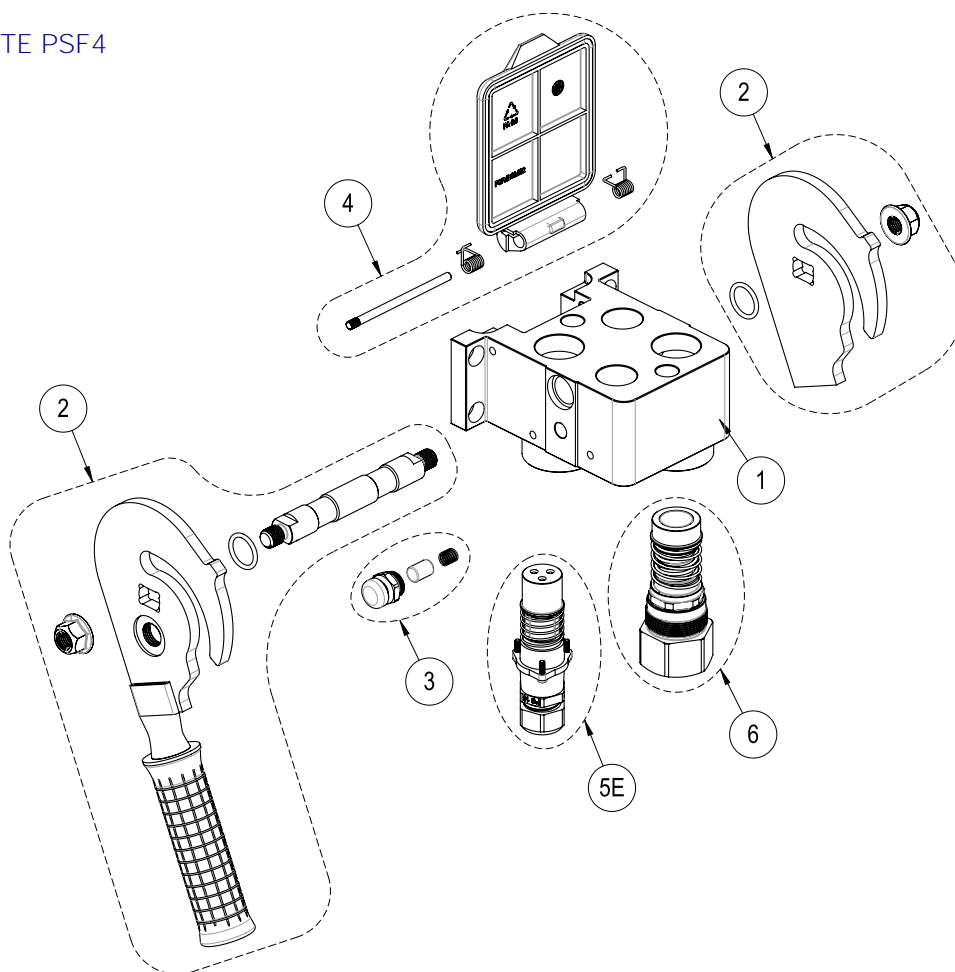
IG 1



IG 2

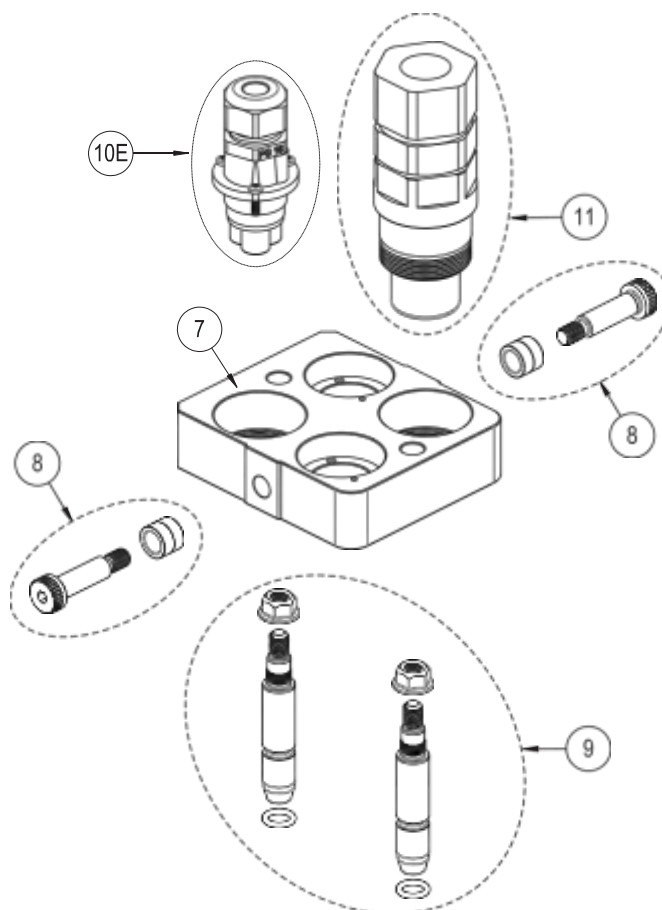
SPARE PARTS FIXED PLATE PSF4

POS.	PART NUMBER	WEIGHT (g)
1	PSF.2C2G.102	1398
2	PSF.KIT.442	33
3	PSF.KIT.050	1800
4	PSF.KIT.4902	114
5E	SEE SPARE PARTS ELECTRICAL CONNECTOR	
6	SEE SPARE PARTS ISO 19	

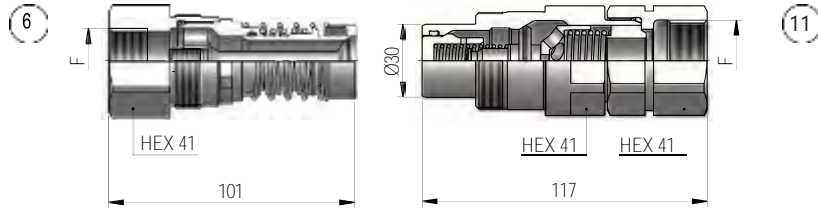


SPARE PARTS MOBILE PLATE PSF4

POS.	PART NUMBER	WEIGHT (g)
7	PSF.2C2G.103	501
8	PSF.KIT.120	72
9	PSF.KIT.017	169
10E	SEE SPARE PARTS ELECTRICAL CONNECTOR	
11	SEE SPARE PARTS ISO 19	



SPARE PARTS ISO 19 COUPLINGS



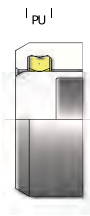
THREADS	DNP	BG	ISO	F	STANDARD	SPARE PARTS			
						FEMALE - MUFFE		MALE - STECKER	
						COD. F	Weight (g)	COD. M	Weight (g)
IG 1	25	4	19	BSP 3/4"	DIN 3852-2	POF4.2519.112 R	454	POF4.2519.113	760
	25	4	19	BSP 1"	DIN 3852-2	POF4.2525.112 R	404	POF4.2525.113	696
IG 2	25	4	19	3/4"-16 UNF 2B	SAE J 1926-1	POF4.2519.032 R	493	POF4.2519.033	815
	25	4	19	1-1/16"-12 UN 2B	SAE J 1926-1	POF4.2527.032 R	445	POF4.2527.033	754

SPARE PARTS ELECTRICAL CONNECTOR



SPARE PARTS			
FEMALE - MUFFE (5E)		MALE - STECKER (10E)	
COD. F	Weight (g)	COD. M	Weight (g)
SEF.3P04.002	60	SEF.3P04.003	39

SPARE PARTS SEALS

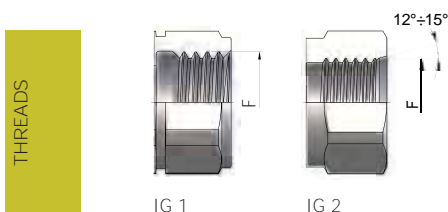


NOMINAL SIZE			MALE GASKET
DNP	BG	ISO	PU (POLYURETHANE)
25	4	19	PVT.025.210

PLUGS



NOMINAL SIZE			PART NUMBER	COLOR	MATERIAL
DNP	BG	ISO			
20	3	12.5	TPOF20		PVC





- Interchange: FASTER P5065
- Occlusion: flat face
- Locking: lever with safety device
- Material: steel and aluminum
- Finishing: Zn-Fe (Cr III), Anodizing
- Threads: BSP-NPT-SAE-METRICS
- Standard seals: NBR and PU
- Working temperature: -25°C+100°C
- Optional seals: FKM, EPDM or more.
- Working pressure: 250 bar
- Connection under residual pressure: allowed (male side only)

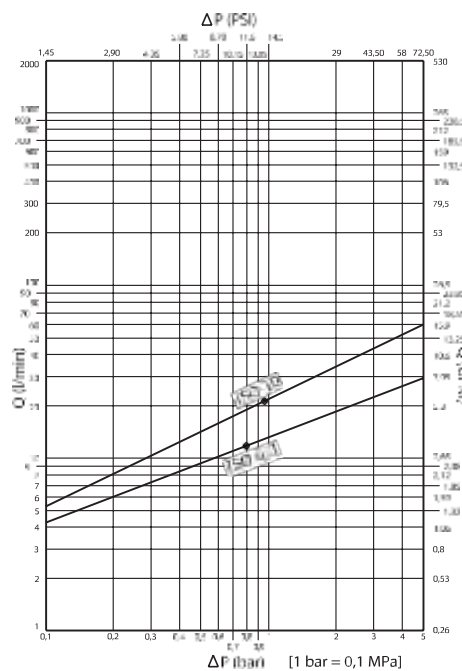
Technische Merkmale

D

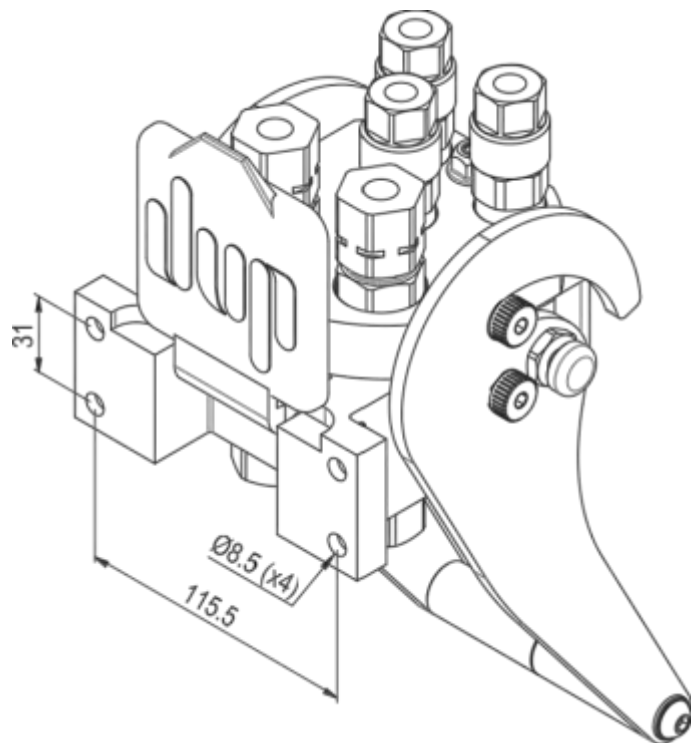
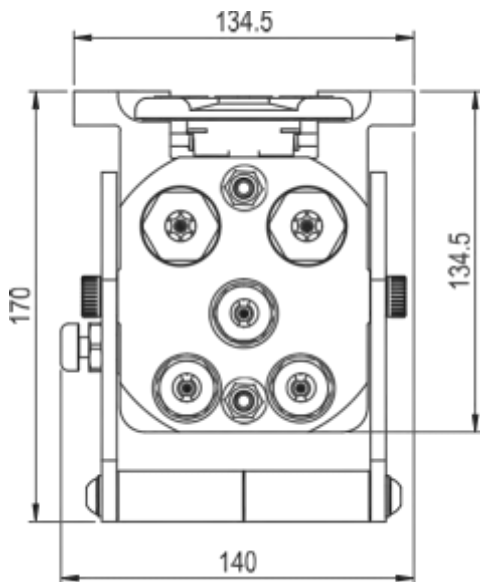
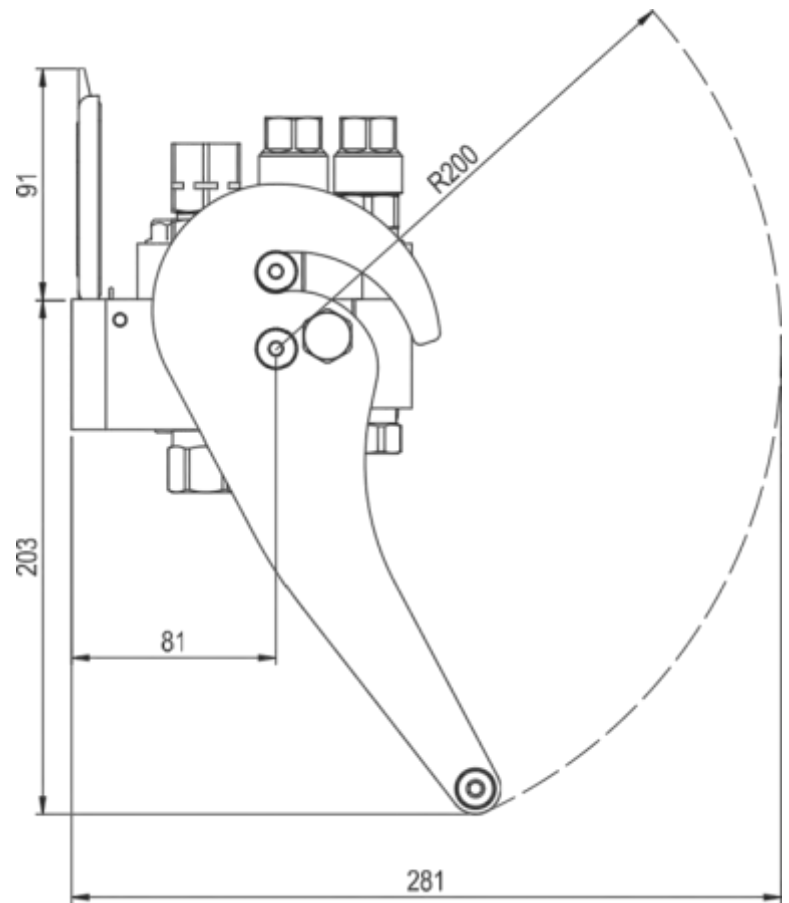
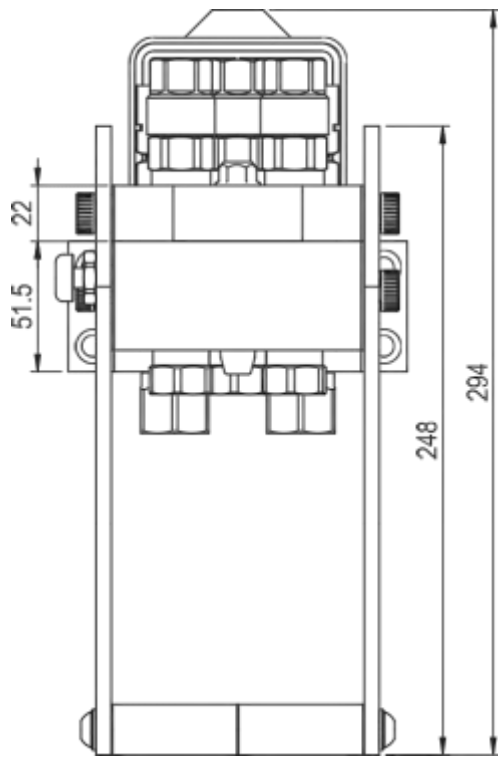
- Austauschbarkeit: FASTER P5065
- Verschluss: flachdichtend
- Kupplung: Hebel mit Sicherung
- Werkstoff: Stahl und Aluminium
- Ausführung: Zn-Fe (Cr III), Eloxiert
- Gewinde: BSP-NPT-SAE-METRISCHE
- Standard-Dichtungen: NBR und PU
- Betriebstemperatur: -25°C+100°C
- Dichtungen nach Wahl: FKM, EPDM, usw.
- Betriebsdruck: 250 bar
- Kuppeln unter Restdruck: erlaubt (nur Steckerseite)

Nominal size				Max working pressure	Rated flow	Max flow rate	Min burst pressure			Fluid spillage
DNP	BG	ISO	Ømm	MPa	l/min	l/min	Male	Female	Coupled	cc
06	1	6.3	6	25	12	24	120	120	120	0.008
13	2	10	8.6	25	23	46	120	120	120	0.010

1 MPa = 145.04 psi • 1 l = 0.264 gal



PSF5 DIMENSION



PSF5 FIXED

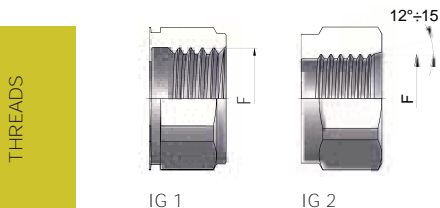


THREADS	DNP	BG	ISO	Housings	No. of Couplings	F	STANDARD	FIXED PART	
								CODE	Weight (g)
IG 1	06	1	6.3	5	3	BSP 1/4"	DIN 3852-2	PSF5.3AAG.2CCG.2	3505
	13	2	10		2	BSP 1/2"			
	06	1	6.3	5	3	BSP 1/4"	DIN 3852-2	PSF5.3AAG.2CBG.2	3540
	13	2	10		2	BSP 3/8"			
	06	1	6.3	5	2	BSP 1/4"	DIN 3852-2	PSF5.2AAG.2	3160
	13	2	10		0	-			
	06	1	6.3	5	0	-	-	PSF5.2CCG.2	3260
13	2	10	2		BSP 1/2"				
IG 2	06	1	6.3	5	2	3/4"-16 UNF-2B	SAE J 1926-1	PSF5.2ACU.2CBU.2	3340
	13	2	10		2	9/16"-18 UNF-2B			
	06	1	6.3	5	1	9/16"-18 UNF-2B	SAE J 1926-1	PSF5.1ABU.2CCU.2	3475
	13	2	10		2	3/4"-16 UNF-2B			
	06	1	6.3	5	2	9/16"-18 UNF-2B	SAE J 1926-1	PSF5.2ABU.2	3160
	13	2	10		0	-			
	06	1	6.3	5	3	9/16"-18 UNF-2B	SAE J 1926-1	PSF5.3ABU.2CCU.2	3520
	13	2	10		2	3/4"-16 UNF-2B			
	06	1	6.3	5	3	9/16"-18 UNF-2B	SAE J 1926-1	PSF5.3ABU.2	3245
	13	2	10		0	-			
	06	1	6.3	5	2	9/16"-18 UNF-2B	SAE J 1926-1	PSF5.2ABU.2CCU.2	3430
	13	2	10		2	3/4"-16 UNF-2B			

PSF5 MOBILE

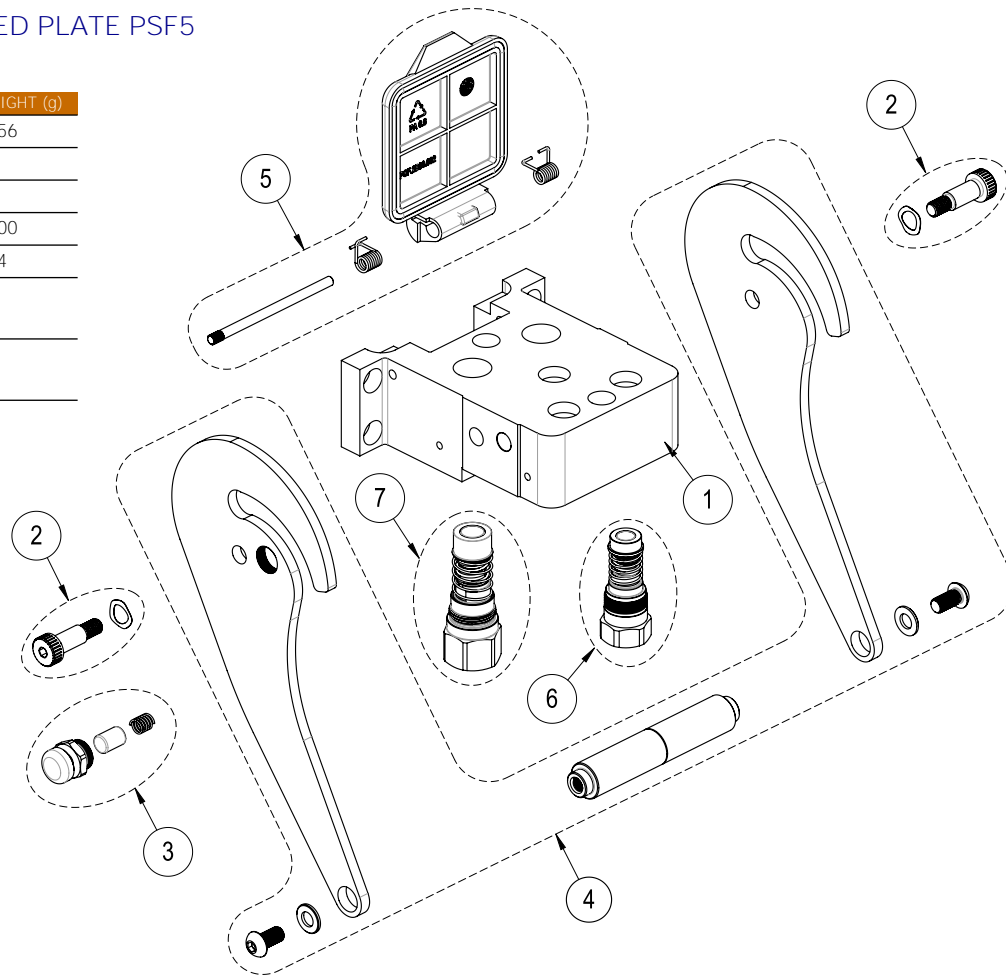


THREADS	DNP	BG	ISO	Housings	No. of Couplings	F	STANDARD	MOBILE PART	
								CODE	Weight (g)
IG 1	06	1	6.3	5	3	BSP 1/4"	DIN 3852-2	PSF5.3AAG.2CCG.3	1610
	13	2	10		2	BSP 1/2"			
	06	1	6.3	5	3	BSP 1/4"	DIN 3852-2	PSF5.3AAG.2CBG.3	1630
	13	2	10		2	BSP 3/8"			
	06	1	6.3	5	2	BSP 1/4"	DIN 3852-2	PSF5.2AAG.3	1060
	13	2	10		0	-			
	06	1	6.3	5	0	-	-	PSF5.2CCG.3	1040
13	2	10	2		BSP 1/2"				
IG 2	06	1	6.3	5	2	3/4"-16 UNF-2B	SAE J 1926-1	PSF5.2ACU.2CBU.3	1570
	13	2	10		2	9/16"-18 UNF-2B			
	06	1	6.3	5	1	9/16"-18 UNF-2B	SAE J 1926-1	PSF5.1ABU.2CCU.3	1280
	13	2	10		2	3/4"-16 UNF-2B			
	06	1	6.3	5	2	9/16"-18 UNF-2B	SAE J 1926-1	PSF5.2ABU.3	1060
	13	2	10		0	-			
	06	1	6.3	5	3	9/16"-18 UNF-2B	SAE J 1926-1	PSF5.3ABU.2CCU.3	1660
	13	2	10		2	3/4"-16 UNF-2B			
	06	1	6.3	5	3	9/16"-18 UNF-2B	SAE J 1926-1	PSF5.3ABU.3	1240
	13	2	10		0	-			
	06	1	6.3	5	2	9/16"-18 UNF-2B	SAE J 1926-1	PSF5.2ABU.2CCU.3	1470
	13	2	10		2	3/4"-16 UNF-2B			



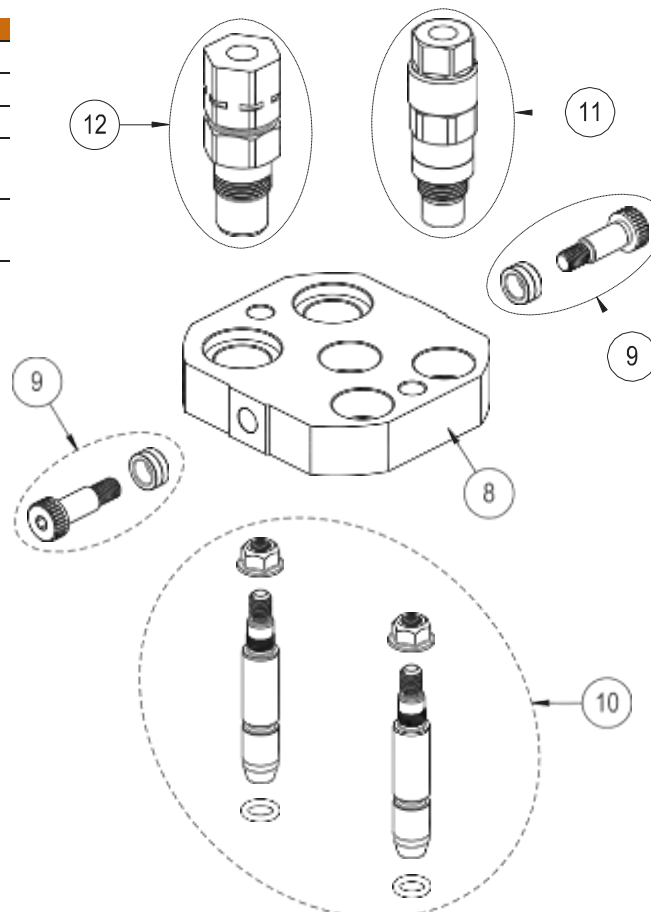
SPARE PARTS FIXED PLATE PSF5

POS.	PART NUMBER	WEIGHT (g)
1	PSF.3A2B.102	1256
2	PSQ.KIT.011	51
3	PSF.KIT.050	33
4	PSF.KIT.342	1500
5	PSF.KIT.4902	114
6	SEE SPARE PARTS ISO 6.3	
7	SEE SPARE PARTS ISO 10	

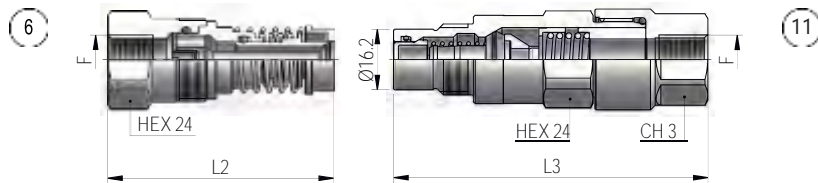


SPARE PARTS MOBILE PLATE PSF5

POS.	PART NUMBER	WEIGHT (g)
8	PSF.3A2B.103	450
9	PSF.KIT.120	72
10	PSF.KIT.017	169
11	SEE SPARE PARTS ISO 6.3	
12	SEE SPARE PARTS ISO 10	

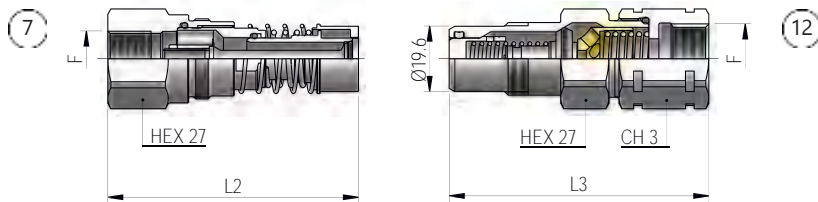


SPARE PARTS ISO 6.3 COUPLINGS



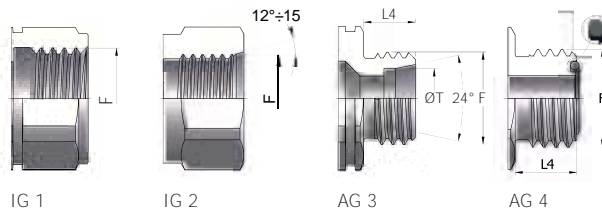
THREADS	DNP	BG	ISO	L2	CH3	L3	F	STANDARD	SPARE PARTS			
									FEMALE - MUFFE		MALE - STECKER	
									COD. F	Weight (g)	COD. M	Weight (g)
IG 1	06	1	6.3	60	22	83.5	BSP 1/4"	DIN 3852-2	POF4.0606.112 R	96	POF4.0606.113	190
							9/16"-18 UNF 2B	SAE J 1926-1	POF4.0615.032 R	92	POF4.0615.033	187
IG 2	06	1	6.3	62	27	86.5	3/4"-16 UNF 2B	SAE J 1926-1	POF4.0619.032 R	99	POF4.0619.033	228

SPARE PARTS ISO 10 COUPLINGS

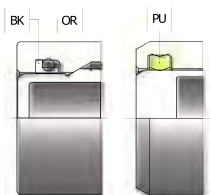


THREADS	DNP	BG	ISO	L2	CH3	L3	L4	ØT	F	STANDARD	SPARE PARTS			
											FEMALE - MUFFE		MALE - STECKER	
											COD. F	Weight (g)	COD. M	Weight (g)
IG 1	13	2	10	75.3	27	78			BSP 3/8"	DIN 3852-2	POF4.1310.112 R	150	POF4.1310.113	188
									BSP 1/2"	DIN 3852-2	POF4.1313.112 R	135	POF4.1313.113	179
									NPT 3/8"	ANSI B1.20.1	POF4.1310.012 R	160	POF4.1310.013	233
									NPT 1/2"	ANSI B1.20.1	POF4.1313.012 R	157	POF4.1313.013	217
IG 2	13	2	10	75.4	30	78			9/16"-18 UNF 2B	SAE J 1926-1	POF4.1315.032 R	162	POF4.1315.033	214
									3/4"-16 UNF 2B	SAE J 1926-1	POF4.1319.032 R	147	POF4.1319.033	206
AG 3	13	2	10	83.3	27	76	11	10L	M16x1.5	ISO 8434-1-L	POF4.1316.302 R	160	POF4.1316.303	163
									M18x1.5	ISO 8434-1-L	POF4.1318.302 R	160	POF4.1318.303	164
									M22x1.5	ISO 8434-1-L	POF4.1322.302 R	165	POF4.1322.303	169
									M20x1.5	ISO 8434-1-S	POF4.1320.402 R	170	POF4.1320.403	184
AG 4	13	2	10	85.3	27	78	13			ISO 8434-3	POF4.1321.432 R	170	POF4.1321.433	178

THREADS



SPARE PARTS SEALS



NOMINAL SIZE			MALE GASKET		MALE GASKET
DNP	BG	ISO	OR (NBR*)	BK (PTFE)	PU (POLIURETHANE)
06	1	6.3	PLT.006.120	PLT.006.130	-
13	2	10	-	-	PLK.013.210

*TO THE NBR GASKET CODE ADD 'E' FOR EPDM OR 'V' FOR VITON

*ZU DER ARTIKELNR. DER NBR DICHTUNG GEBEN SIE 'E' FUER EPDM ODER 'V' FUER VITON AN

PLUGS



NOMINAL SIZE			PART NUMBER	COLOR	MATERIAL
DNP	BG	ISO			
06	1	6.3	TPOF06		PVC



NOMINAL SIZE			PART NUMBER	COLOR	MATERIAL
DNP	BG	ISO			
13	2	10	TPOF13		PVC



- Interchange: FASTER P506-x
- Occlusion: flat face
- Locking: lever with safety device
- Material: steel and aluminum
- Finishing: Zn-Fe (Cr III), Anodizing
- Threads: BSP-NPT-SAE-METRICS
- Standard seals: NBR and PU
- Working temperature: -25°C+100°C
- Optional seals: FKM, EPDM or more.
- Working pressure: 250 bar
- Connection under residual pressure: allowed (male side only)

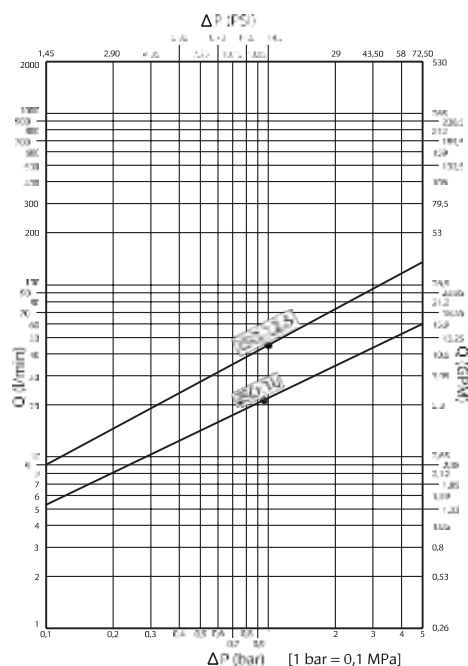
Technische Merkmale

D

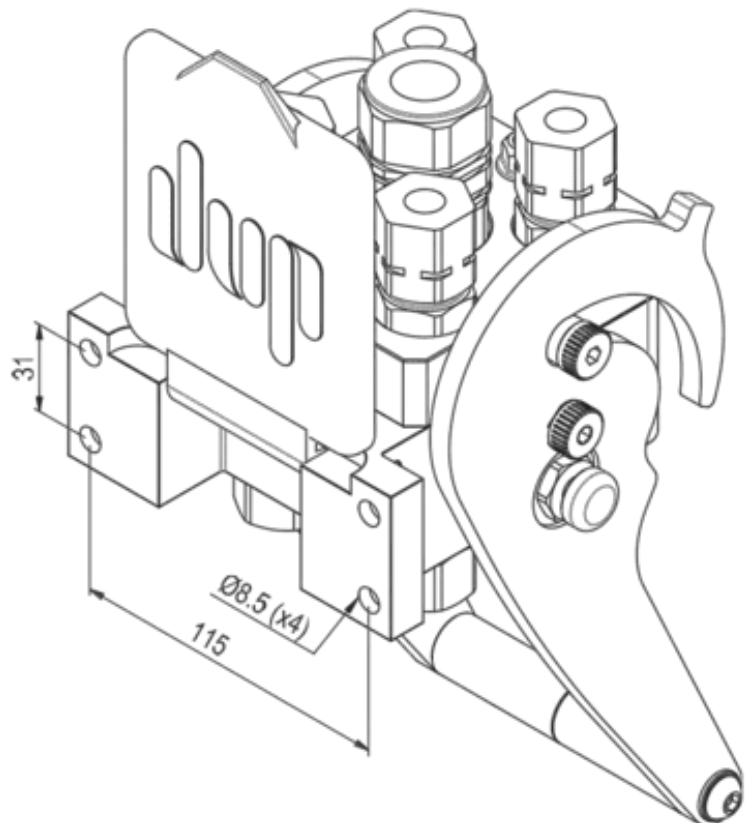
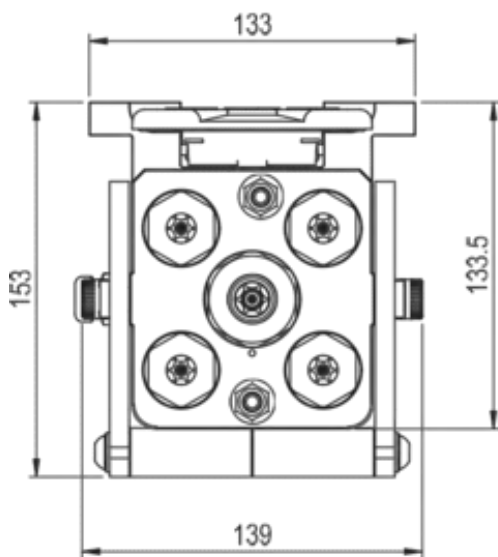
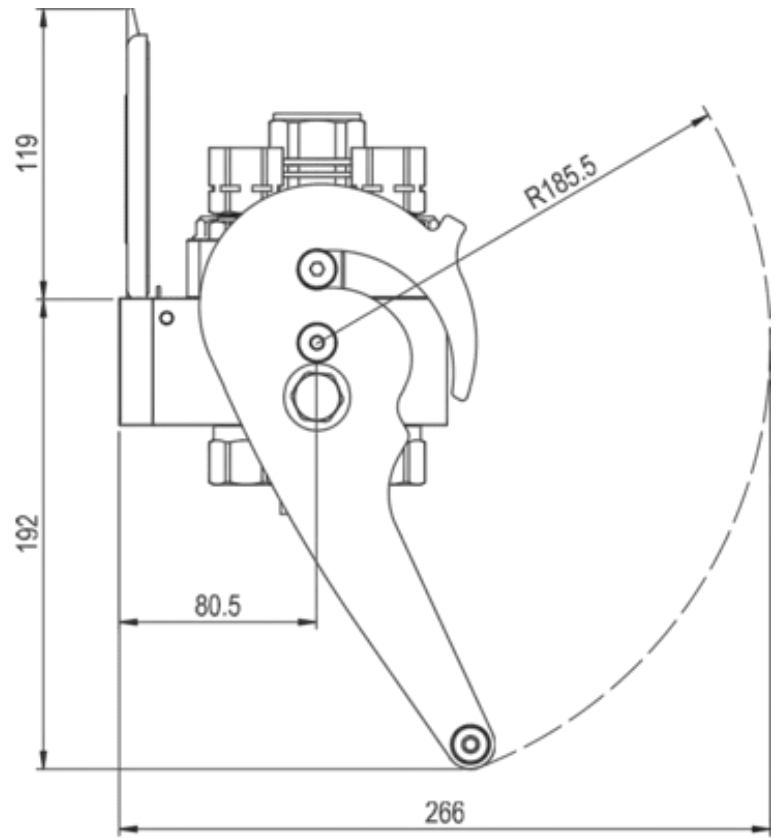
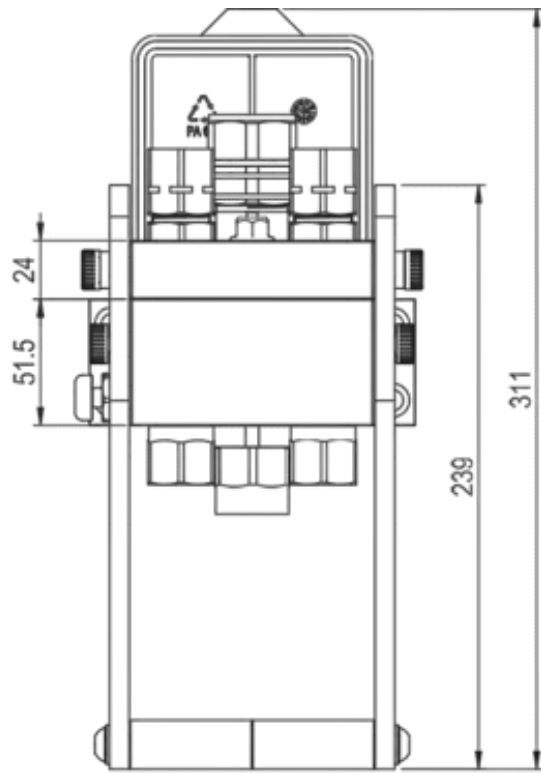
- Austauschbarkeit: FASTER P506-x
- Verschluss: flachdichtend
- Kupplung: Hebel mit Sicherung
- Werkstoff: Stahl und Aluminium
- Ausführung: Zn-Fe (Cr III), Eloxiert
- Gewinde: BSP-NPT-SAE-METRISCHE
- Standard-Dichtungen: NBR und PU
- Betriebstemperatur: -25°C+100°C
- Dichtungen nach Wahl: FKM, EPDM, usw.
- Betriebsdruck: 250 bar
- Kuppeln unter Restdruck: erlaubt (nur Steckerseite)

Nominal size				Max working pressure MPa	Rated flow l/min	Max flow rate l/min	Min burst pressure			Fluid spillage cc
DNP	BG	ISO	Ømm				Male	Female	Coupled	
13	2	10	8.6	25	23	46	120	120	120	0.010
20	3	12.5	10.7	25	45	90	120	120	120	0.012

1 MPa = 145.04 psi • 1 l = 0.264 gal



PSF5 DIMENSION



PSF5 FIXED



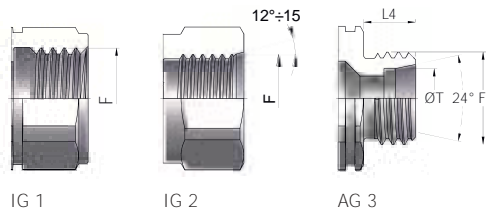
THREADS	DNP	BG	ISO	Housings	No. of Couplings	F	STANDARD	FIXED PART	
								CODE	Weight (g)
IG 1	13	2	10	5	4	BSP 3/8"	DIN 3852-2	PSF5.4CBG.1GCG.2	4070
	20	3	12.5		1	BSP 1/2"			
	13	2	10	5	4	BSP 3/8"	DIN 3852-2	PSF5.4CBG.2	3800
	20	3	12.5		0	-			
	13	2	10	5	4	BSP 1/2"	DIN 3852-2	PSF5.4CCG.2	3700
	20	3	12.5		0	-			
IG 2	13	2	10		3	BSP 3/8"	BS 5380		
AG 3	13	2	10	5	1	M22x1.5-15L	ISO 8434-1-L	PSF5.3CBB.1CEL.1GEL.2	4000
	20	3	12.5		1				
	13	2	10	5	4	M22x1.5-15L	ISO 8434-1-L	PSF5.4CEL.2	3850
	20	3	12.5		0	-	-		
	13	2	10	5	4			PSF5.4CEL.1GEL.2	4020
	20	3	12.5		1	M22x1.5-15L	ISO 8434-1-L		

PSF5 MOBILE



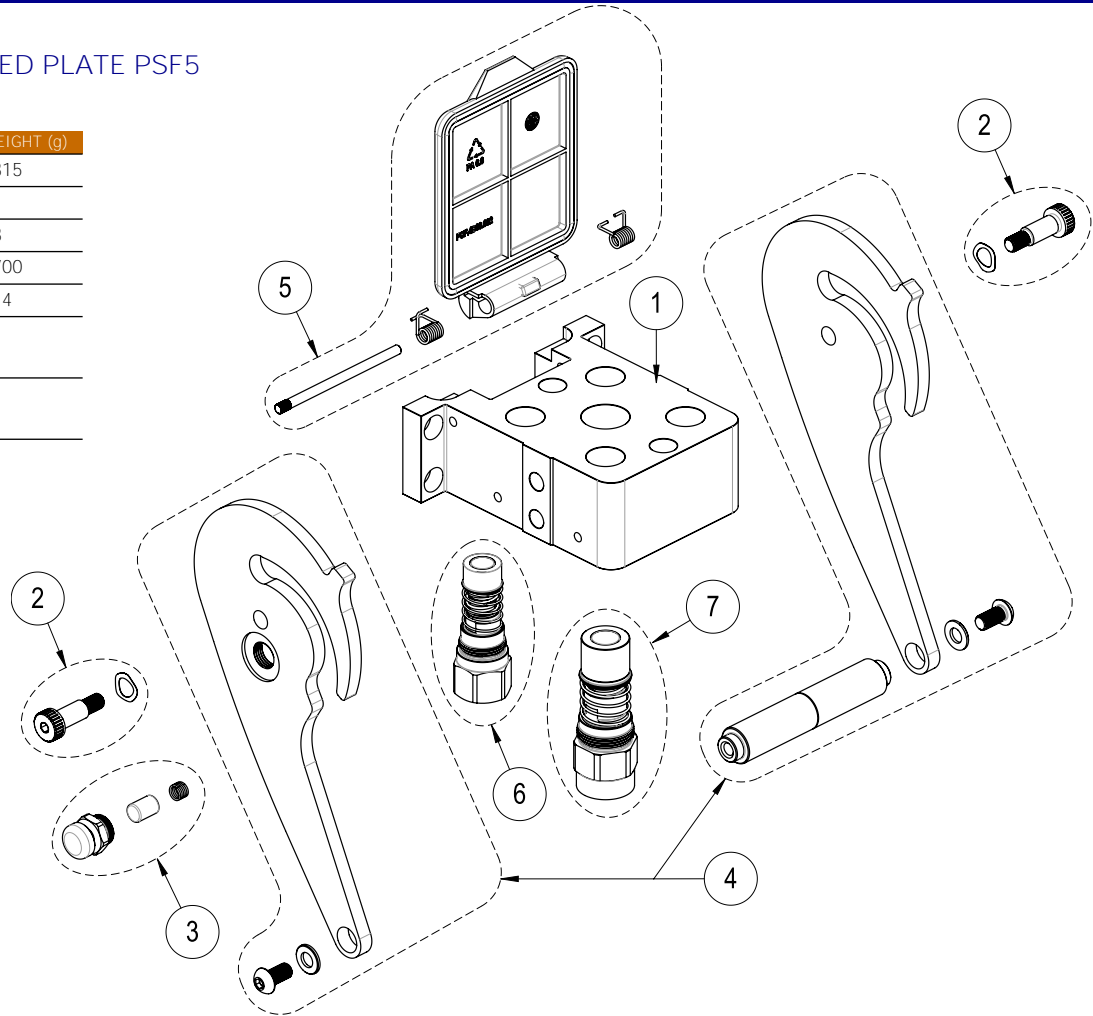
THREADS	DNP	BG	ISO	Housings	No. of Couplings	F	STANDARD	MOBILE PART	
								CODE	Weight (g)
IG 1	13	2	10	5	4	BSP 3/8"	DIN 3852-2	PSF5.4CBG.1GCG.3	1880
	20	3	12.5		1	BSP 1/2"			
	13	2	10	5	4	BSP 3/8"	DIN 3852-2	PSF5.4CBG.3	1480
	20	3	12.5		0	-			
	13	2	10	5	4	BSP 1/2"	DIN 3852-2	PSF5.4CCG.3	1450
	20	3	12.5		0	-			
IG 2	13	2	10		3	BSP 3/8"	BS 5380		
AG 3	13	2	10	5	1	M22x1.5-15L	ISO 8434-1-L	PSF5.3CBB.1CEL.1GEL.3	1750
	20	3	12.5		1				
	13	2	10	5	4	M22x1.5-15L	ISO 8434-1-L	PSF5.4CEL.3	1450
	20	3	12.5		0	-	-		
	13	2	10	5	4			PSF5.4CEL.1GEL.3	1750
	20	3	12.5		1	M22x1.5-15L	ISO 8434-1-L		

THREADS



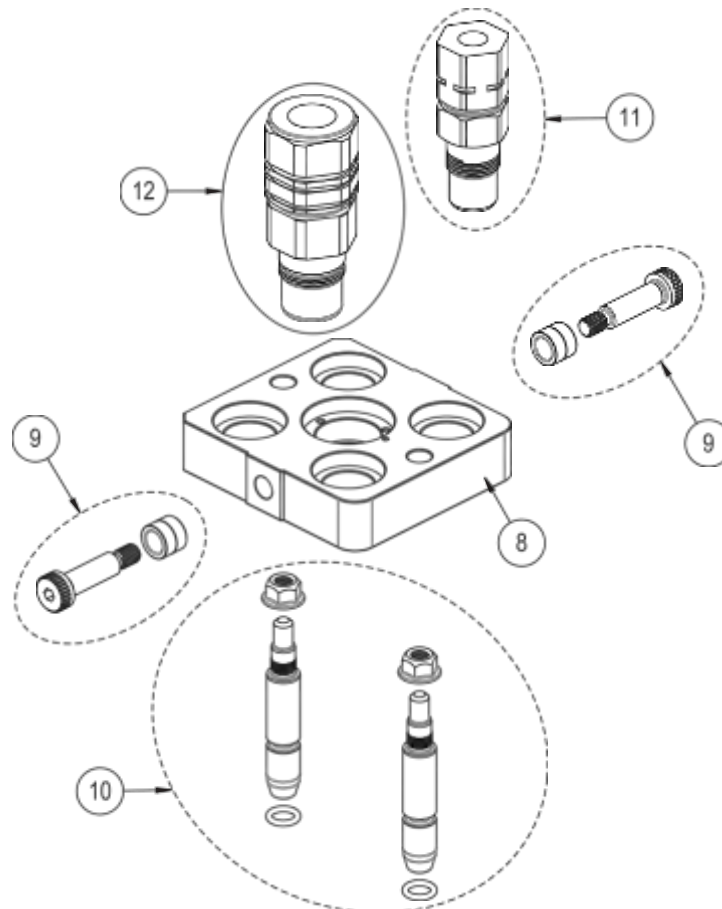
SPARE PARTS FIXED PLATE PSF5

POS.	PART NUMBER	WEIGHT (g)
1	PSF.4B1G.102	1315
2	PSQ.KIT.011	51
3	PSF.KIT.050	33
4	PSF.KIT.242	1700
5	PSF.KIT.4902	114
6	SEE SPARE PARTS ISO 10	
7	SEE SPARE PARTS ISO 12.5	

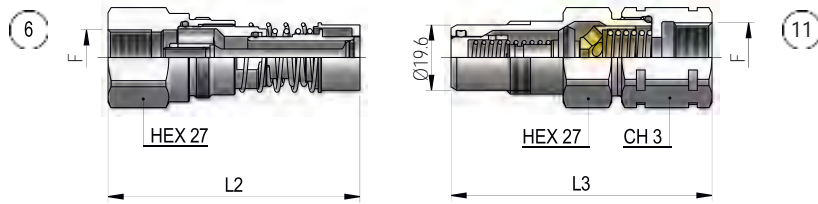


SPARE PARTS MOBILE PLATE PSF5

POS.	PART NUMBER	WEIGHT (g)
8	PSF.4B1G.103	480
9	PSF.KIT.120	61
10	PSF.KIT.017	169
11	SEE SPARE PARTS ISO 10	
12	SEE SPARE PARTS ISO 12.5	

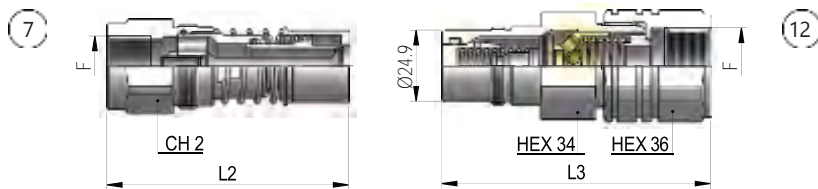


SPARE PARTS ISO 10 COUPLINGS



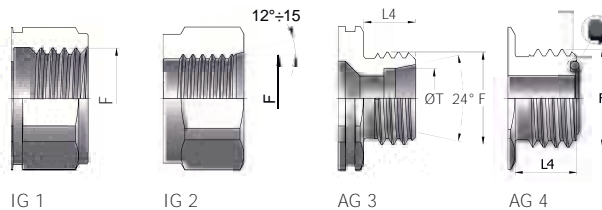
THREADS	DNP	BG	ISO	L2	CH3	L3	L4	ØT	F	STANDARD	SPARE PARTS			
											COD. F	Weight (g)	COD. M	Weight (g)
IG 1	13	2	10	75.3	27	78			BSP 3/8"	DIN 3852-2	POF4.1310.112 R	150	POF4.1310.113	188
	13	2	10	75.3	27	78			BSP 1/2"	DIN 3852-2	POF4.1313.112 R	135	POF4.1313.113	179
	13	2	10	75.3	30	81			NPT 3/8"	ANSI B1.20.1	POF4.1310.012 R	160	POF4.1310.013	233
	13	2	10	79.3	30	81			NPT 1/2"	ANSI B1.20.1	POF4.1313.012 R	157	POF4.1313.013	217
IG 2	13	2	10	75.4	30	78			9/16"-18 UNF 2B	SAE J 1926-1	POF4.1315.032 R	162	POF4.1315.033	214
	13	2	10	75.3	30	78			3/4"-16 UNF 2B	SAE J 1926-1	POF4.1319.032 R	147	POF4.1319.033	206
AG 3	13	2	10	83.3	27	76	11	10L	M16x1.5	ISO 8434-1-L	POF4.1316.302 R	160	POF4.1316.303	163
	13	2	10	83.3	27	76	11	12L	M18x1.5	ISO 8434-1-L	POF4.1318.302 R	160	POF4.1318.303	164
	13	2	10	84.3	27	77	12	15L	M22x1.5	ISO 8434-1-L	POF4.1322.302 R	165	POF4.1322.303	169
	13	2	10	84.3	30	77	12	12S	M20x1.5	ISO 8434-1-S	POF4.1320.402 R	170	POF4.1320.403	184
AG 4	13	2	10	85.3	27	78	13		13/16"-16 UN	ISO 8434-3	POF4.1321.432 R	170	POF4.1321.433	178

SPARE PARTS ISO 12.5 COUPLINGS

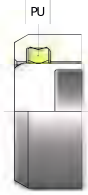


THREADS	DNP	BG	ISO	CH2	L2	L3	L4	ØT	F	STANDARD	SPARE PARTS			
											FEMALE - MUFFE		MALE - STECKER	
											COD. F	Weight (g)	COD. M	Weight (g)
IG 1	20	3	12.5	30	82	89.5			BSP 1/2"	DIN 3852-2	POF4.2013.112 R	208	POF4.2013.113	400
	20	3	12.5	30	83	91.8			NPT 1/2"	ANSI B1.20.1	POF4.2013.012 R	214	POF4.2013.013	413
	20	3	12.5	34	84	91.5			BSP 3/4"	DIN 3852-2	POF4.2019.112 R	223	POF4.2019.113	380
IG 2	20	3	12.5	30	82	87			3/4"-16 UNF 2B	SAE J 1926-1	POF4.2019.032 R	212	POF4.2019.033	392
	20	3	12.5	34	87	91			1-1/16"-12 UN 2B	SAE J 1926-1	POF4.2027.032 R	229	POF4.2027.033	401
AG 3	20	3	12.5	30	86	87	11	12L	M18x1.5	ISO 8434-1-L	POF4.2018.302 R	209	POF4.2018.303	338
	20	3	12.5	30	87	88	12	15L	M22x1.5	ISO 8434-1-L	POF4.2022.302 R	215	POF4.2022.303	343
	20	3	12.5	30	87	88	12	12S	M20x1.5	ISO 8434-1-S	POF4.2020.402 R	218	POF4.2020.403	345
AG 4	20	3	12.5	30	87.3	89	13		13/16"-16 UN	ISO 8434-3	POF4.2020.532 R	219	POF4.2020.533	354

THREADS



SPARE PARTS SEALS



NOMINAL SIZE			MALE GASKET
DNP	BG	ISO	PU (POLYURETHANE)
13	2	10	PLK.013.210
20	3	12.5	PVT.019.210

PLUGS



NOMINAL SIZE			PART NUMBER	COLOR	MATERIAL
DNP	BG	ISO			
13	2	10	TPOF13	●	PVC



NOMINAL SIZE			PART NUMBER	COLOR	MATERIAL
DNP	BG	ISO			
20	3	12.5	TPOF20	●	PVC



- Interchange: FASTER P506-x
- Occlusion: flat face
- Locking: lever with safety device
- Material: steel and aluminum
- Finishing: Zn-Fe (Cr III), Anodizing
- Threads: BSP-NPT-SAE-METRICS
- Standard seals: NBR and PU
- Working temperature: -25°C+100°C
- Optional seals: FKM, EPDM or more.
- Working pressure: 250 bar
- Connection under residual pressure: allowed (male side only)

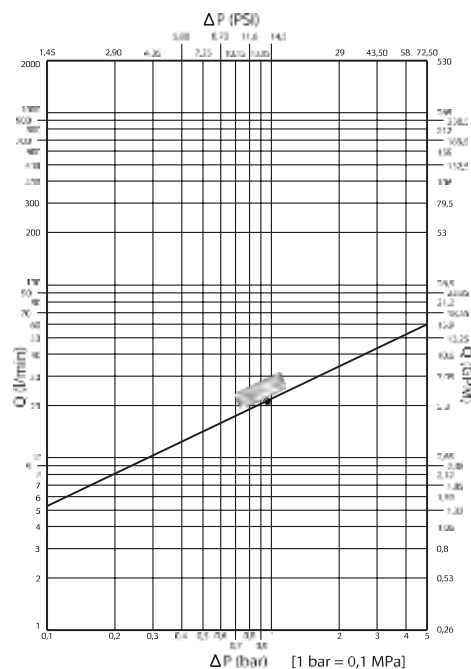
Technische Merkmale

D

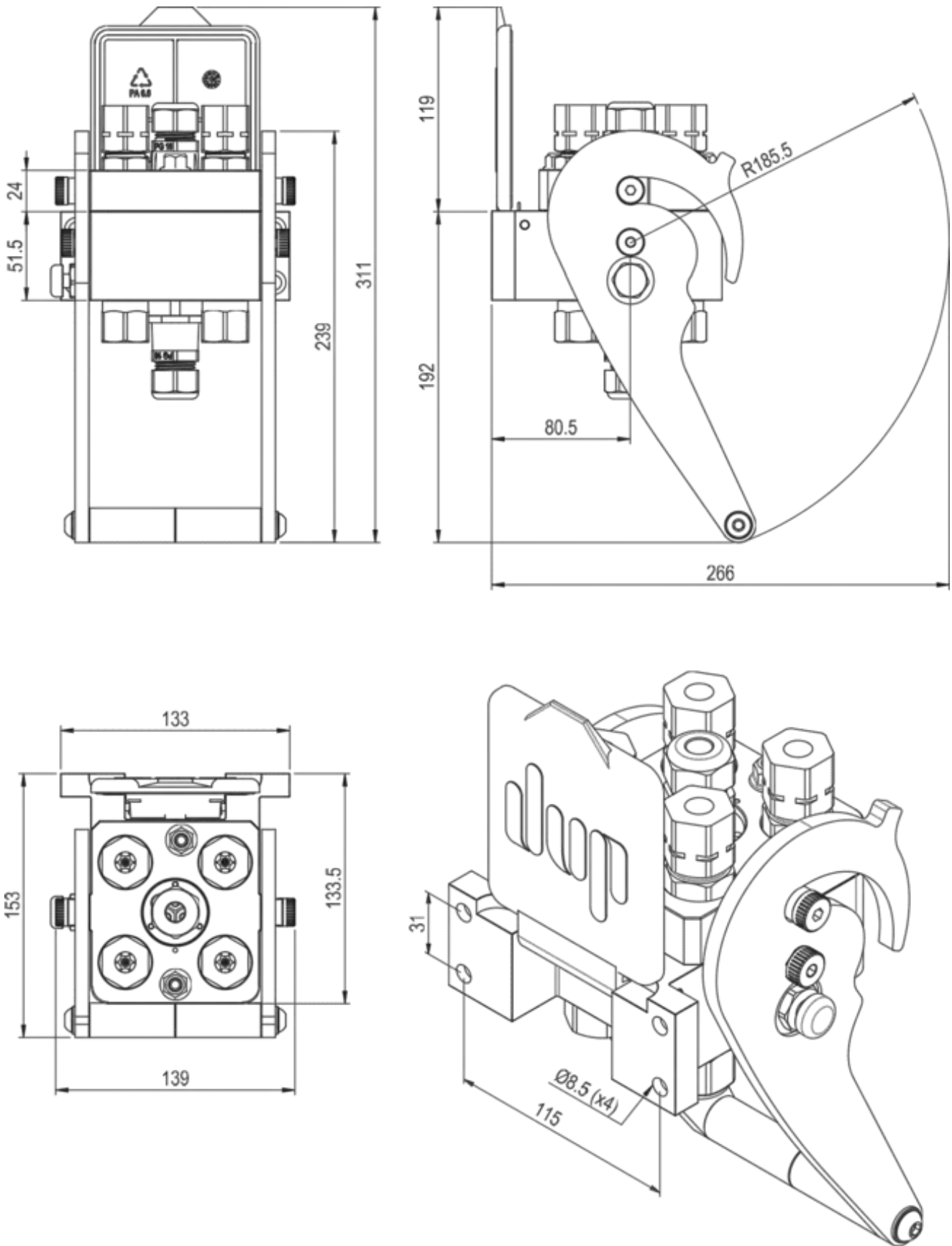
- Austauschbarkeit: FASTER P506-x
- Verschluss: flachdichtend
- Kupplung: Hebel mit Sicherung
- Werkstoff: Stahl und Aluminium
- Ausführung: Zn-Fe (Cr III), Eloxiert
- Gewinde: BSP-NPT-SAE-METRISCHE
- Standard-Dichtungen: NBR und PU
- Betriebstemperatur: -25°C+100°C
- Dichtungen nach Wahl: FKM, EPDM, usw.
- Betriebsdruck: 250 bar
- Kuppeln unter Restdruck: erlaubt (nur Steckerseite)

Nominal size				Max working pressure	Rated flow	Max flow rate	Min burst pressure			Fluid spillage
DNP	BG	ISO	Ømm				Male	Female	Coupled	
13	2	10	8.6	25	23	46	120	120	120	0.010

1 MPa = 145.04 psi • 1 l = 0.264 gal



PSF5 DIMENSION



PSF5 FIXED



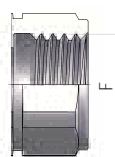
THREADS	DNP	BG	ISO	Housings	No. of Couplings	F	STANDARD	Electrical Connector		FIXED PART	
								No.	PINS	CODE	Weight (g)
IG 1	13	2	10	5	4	BSP 3/8"	DIN 3852-2	1	3	PSF5.4CBG.3P.2	3820
	20	3	12.5			-	-				
	13	2	10	5	4	BSP 1/2"	DIN 3852-2	1	3	PSF5.4CCG.3P.2	3750
	20	3	12.5			-	-				
AG 3	13	2	10	5	4	M22x1.5-15L	ISO 8434-1-L	1	3	PSF5.4CEL.3P.2	3870
	20	3	12.5			-	-				

PSF5 MOBILE

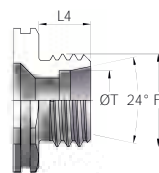


THREADS	DNP	BG	ISO	Housings	No. of Couplings	F	STANDARD	Electrical Connector		MOBILE PART	
								No.	PINS	CODE	Weight (g)
IG 1	13	2	10	5	4	BSP 3/8"	DIN 3852-2	1	3	PSF5.4CBG.3P.3	1520
	20	3	12.5			-	-				
	13	2	10	5	4	BSP 1/2"	DIN 3852-2	1	3	PSF5.4CCG.3P.3	1490
	20	3	12.5			-	-				
AG 3	13	2	10	5	4	M22x1.5-15L	ISO 8434-1-L	1	3	PSF5.4CEL.3P.3	1440
	20	3	12.5			-	-				

THREADS



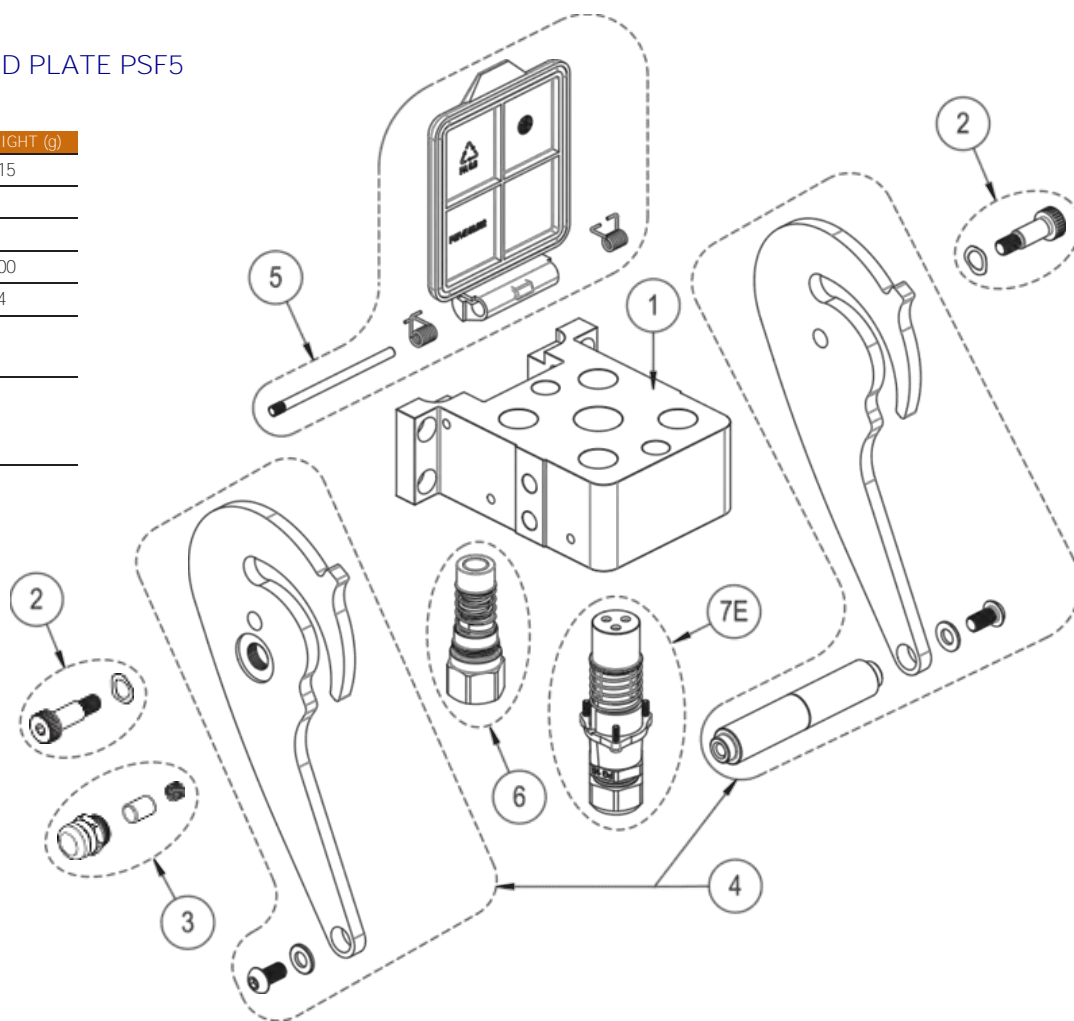
IG 1



AG 3

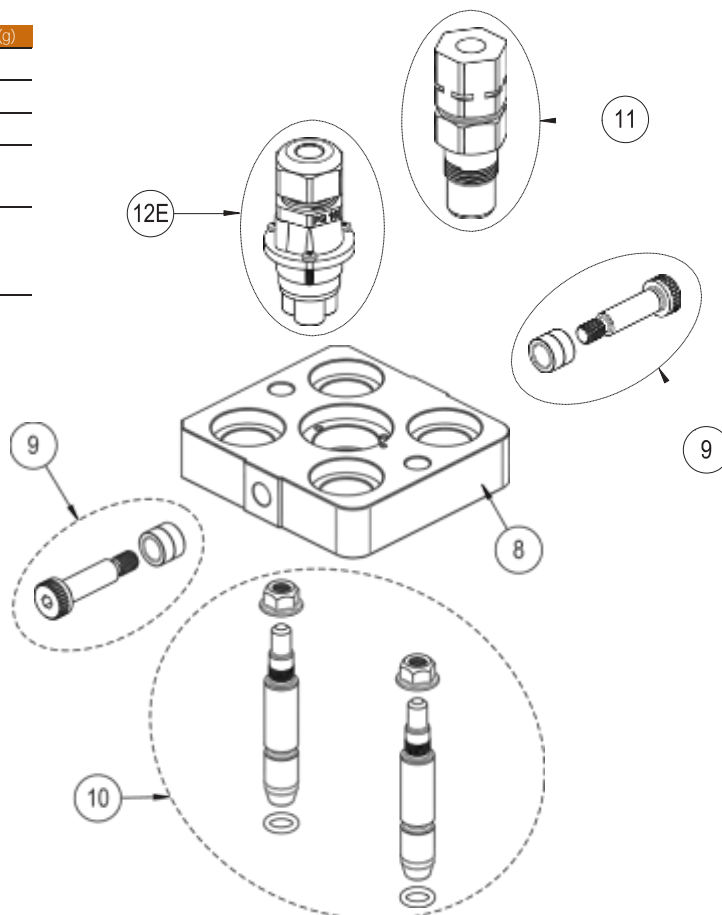
SPARE PARTS FIXED PLATE PSF5

POS.	PART NUMBER	WEIGHT (g)
1	PSF.4B1G.102	1315
2	PSQ.KIT.011	51
3	PSF.KIT.050	33
4	PSF.KIT.242	1700
5	PSF.KIT.4902	114
6	SEE SPARE PARTS ISO 10	
7E	SEE SPARE PARTS ELECTRICAL CONNECTOR	

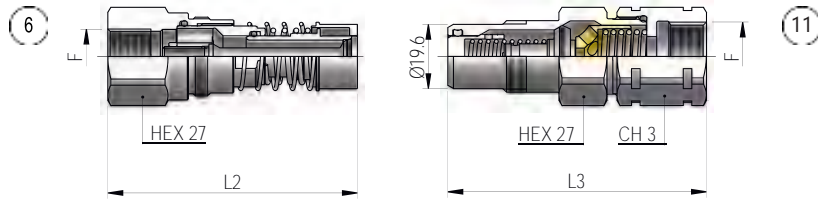


SPARE PARTS MOBILE PLATE PSF5

POS.	PART NUMBER	WEIGHT (g)
8	PSF.4B1G.103	480
9	PSF.KIT.120	61
10	PSF.KIT.017	169
11	SEE SPARE PARTS ISO 10	
12E	SEE SPARE PARTS ELECTRICAL CONNECTOR	



SPARE PARTS ISO 10 COUPLINGS



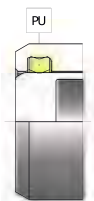
THREADS	DNP	BG	ISO	L2	CH3	L3	L4	ØT	F	STANDARD	SPARE PARTS			
											FEMALE - MUFFE		MALE - STECKER	
											COD. F	Weight (g)	COD. M	Weight (g)
IG 1	13	2	10	75.3	27	78			BSP 3/8"	DIN 3852-2	POF4.1310.112 R	150	POF4.1310.113	188
	13	2	10	75.3	27	78			BSP 1/2"	DIN 3852-2	POF4.1313.112 R	135	POF4.1313.113	179
	13	2	10	75.3	30	81			NPT 3/8"	ANSI B1.20.1	POF4.1310.012 R	160	POF4.1310.013	233
	13	2	10	79.3	30	81			NPT 1/2"	ANSI B1.20.1	POF4.1313.012 R	157	POF4.1313.013	217
IG 2	13	2	10	75.4	30	78			9/16"-18 UNF 2B	SAE J 1926-1	POF4.1315.032 R	162	POF4.1315.033	214
	13	2	10	75.3	30	78			3/4"-16 UNF 2B	SAE J 1926-1	POF4.1319.032 R	147	POF4.1319.033	206
AG 3	13	2	10	83.3	27	76	11	10L	M16x1.5	ISO 8434-1-L	POF4.1316.302 R	160	POF4.1316.303	163
	13	2	10	83.3	27	76	11	12L	M18x1.5	ISO 8434-1-L	POF4.1318.302 R	160	POF4.1318.303	164
	13	2	10	84.3	27	77	12	15L	M22x1.5	ISO 8434-1-L	POF4.1322.302 R	165	POF4.1322.303	169
	13	2	10	84.3	30	77	12	12S	M20x1.5	ISO 8434-1-S	POF4.1320.402 R	170	POF4.1320.403	184
AG 4	13	2	10	85.3	27	78	13		13/16"-16 UN	ISO 8434-3	POF4.1321.432 R	170	POF4.1321.433	178

SPARE PARTS ELECTRICAL CONNECTOR



SPARE PARTS			
FEMALE - MUFFE (7E)		MALE - STECKER (12E)	
COD. F	Weight (g)	COD. M	Weight (g)
SEF.3P04.002	60	SEF.3P04.003	39

SPARE PARTS SEALS



NOMINAL SIZE			MALE GASKET
DNP	BG	ISO	PU(POLYURETHANE)
13	2	10	PLK.013.210



PLUGS

NOMINAL SIZE			PART NUMBER	COLOR	MATERIAL
DNP	BG	ISO			
13	2	10	TPOF13	●	PVC

THREADS

