

MADE IN ITALY



HOSE REELS - CABLE REELS - SWIVEL JOINTS



# SWIVEL JOINTS

CATALOGUE 151



**WE ARE  
DEMAC**



Leader mondiale nel campo  
degli avvolgitori

*Market leading company in the  
manufacturing of hose and cable reels*

“40 anni fa abbiamo immaginato una  
realtà che fosse all’altezza  
della nostra passione,  
oggi vogliamo costruire un futuro  
sempre migliore”

*“40 years ago we imagined a reality  
that lived up to our passion,  
Today we want to build an  
even better future”*

## DEMAC: un successo italiano nel mondo.

DEMAC è leader mondiale nella produzione di avvolgitubo e avvolgicavo per il settore del sollevamento e per l'industria. Tutto cominciò a Cislano, un piccolo paese alle porte di Milano, alla fine degli anni settanta, da un uomo con poche certezze ma con grandi ambizioni: Domenico Varano. In quegli anni, grazie alla sua crescita presso una delle società più blasonate del settore dei carrelli elevatori e caricatori telescopici, iniziò a sviluppare nuovi progetti e soluzioni tecniche nello stesso campo.

La passione per il suo lavoro era tanta, ma ben presto Domenico capì che voleva fare qualcosa di più grande. Per questo nel 1981 fondò un'azienda tutta sua, in cui poteva creare e sviluppare tutti i suoi progetti. La chiamò DEMAC e la aprì proprio nella sua residenza, perché così poteva sfruttare al meglio tutto il tempo e lo spazio a sua disposizione.

L'azienda cresceva in fretta e, nel 1987, Domenico spostò la sede a Cerello, a pochi chilometri dalla sua abitazione, in una struttura piccola ma ben organizzata di 400 metri quadri dove, all'inizio degli anni novanta, DEMAC ebbe il suo primo vero e concreto sviluppo.

La grande soddisfazione dei clienti e la costante fiducia di Domenico nella propria azienda posero le basi per fare il grande passo al punto che, nel 1995, ci fu bisogno di una struttura molto più grande e meglio organizzata in tutte le sue componenti, questa volta a Corbetta.

Una piccola realtà locale stava diventando in breve tempo un punto di riferimento per gli operatori del settore a livello mondiale e così, nel 2005, Domenico con la costante presenza anche dei figli Fabio e Laura, creò nell'area industriale di Magenta una struttura di ultima generazione (ultimo ampliamento a gennaio 2016).

Questa è la storia, lunga più di trent'anni, di un'azienda in cui la parola passione, il valore delle persone, la qualità dei prodotti vengono prima di tutto il resto. Perché i progetti e le invenzioni non nascono per caso, ma dall'esperienza del passato, dalla voglia del presente e da un costante sguardo al futuro.

## DEMAC: an italian success in the world.

*DEMAC is a market-leading company in the manufacturing sector of hose and cable reels for industrial and lifting applications.*

*Its history started in Cislano, a small town near Milan, at the end of the 1970s with a man who had few certainties but great ambitions: Domenico Varano. In those years, thanks to his professional growth in one of the most successful and renowned companies which manufactured lift trucks and telescopic handlers, he began to develop new projects and new technical solutions in the same field.*

*Domenico had a great passion for his job, but he soon understood he wanted to create something greater. For this reason, in 1981 he established his own firm where he could create and develop all his projects. He called it DEMAC and he established it in his own house to devote all his time and space to it.*

*The company was growing quickly and in 1987 Domenico moved its headquarters in Cerello, few kilometres from his house, in a small and well-organized 400m<sup>2</sup> structure where DEMAC had its first real and tangible development at the beginning of the 1990s.*

*Its customers' great satisfaction and Domenico's firm faith in the company built the base for the next big step to such an extent that in 1995 a much bigger structure with a better organisation for all its component parts became necessary. This time in Corbetta.*

*A small local firm was quickly becoming a reference point for the professionals in this industry throughout the world and so in 2005 Domenico with his constantly-present sons Fabio and Laura created a state-of-the-art structure in the industrial area of Magenta (last expansion works in January 2016).*

*This is the history, longer than thirty years, of a firm where the word passion, people's value and the quality of its products come before anything else. Because projects and inventions are not due to chance, but they stem from the experiences of the past, from the lust for the present and from the constant look at the future.*



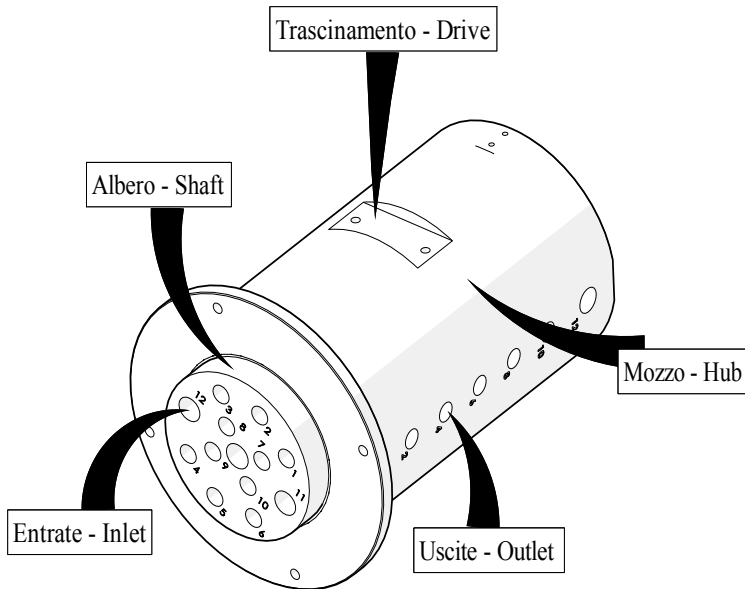
**Hydraulic joint section**

PORT QUANTITY	PORT SPECIFICATION													ATEX AVAILABLE	Pag.	
	1	2	3	4	5	6	7	8	9	10	11	12				
1	1"															5
2	1/4"	1/4"														6
	3/8"	3/8"														7
	3/8"	3/8"														8
	1/2"	1/2"														9
	3/4"	3/4"														10
	1"	1"														11
3	3/8"	3/8"	3/8"													12
	3/4"	3/4"	3/4"													13
	1"	1"	1"													14
4	3/8"	3/8"	3/8"	3/8"												15
	3/8"	3/8"	3/8"	3/8"												16
	1/2"	1/2"	1/2"	1/2"												17
	1/2"	1/2"	1/2"	1/2"												18
	3/4"	3/4"	3/4"	3/4"												19
	3/4"	3/4"	3/4"	3/4"										YES		20
	1"	1"	1"	1"										YES		21
	1.1/4"	1.1/4"	1"	3/4"										YES		22
5	3/8"	3/8"	3/8"	3/8"	3/8"											23
	1/2"	1/2"	1/2"	1/2"	1/2"											24
	1/2"	1/2"	1/2"	1"	1"									YES		25
	3/4"	1.1/4"	1.1/4"	1.1/2"	1.1/2"									YES		26
6	3/8"	3/8"	3/8"	3/8"	3/8"	3/8"										27
	1/2"	1/2"	1/2"	1/2"	1/2"	1/2"										28
	1/2"	1/2"	1/2"	1/2"	1/2"	1/2"										29
8	3/8"	3/8"	1/2"	3/4"	3/4"	1"	1"	1.1/4"						YES		30
12	3/4"	3/4"	3/4"	3/4"	1/2"	1/2"	1/2"	1/2"	3/8"	3/8"	3/8"	3/8"				31
	1	2	3	4	5	6	7	8	9	10	11	12				
	PORT SPECIFICATION													ATEX AVAILABLE		

**Slipring section**

Poles	Series	Max. voltage		
2..16	SR75	50 V		32
3..18	SR110	230 V		33
1..24	SR150	690 V		34
1..24	SR150-PN	690 V		35
1..24	SR180	690 V		36
4..36	SR200	690 V		37-38
1..4	SR320	690 V		39

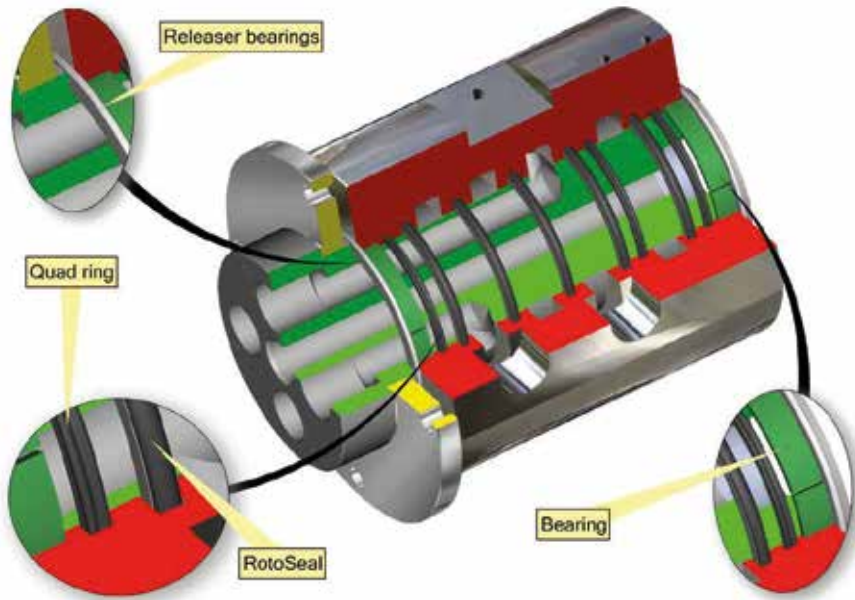
Offer inquiry 40

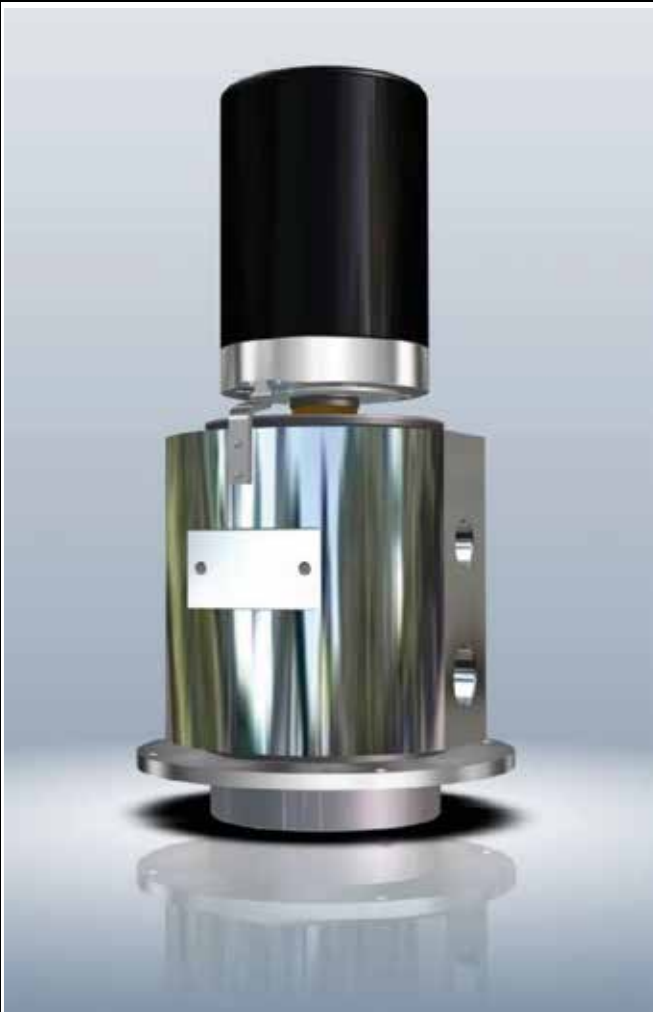


**Also called:** rotating manifold, hydraulic and pneumatic rotating joint.

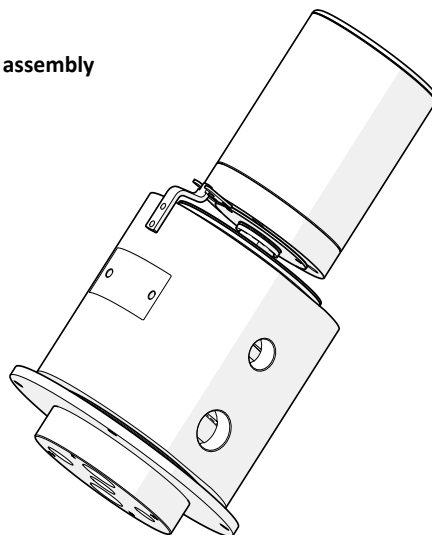
**Swivel joint** enables the passage of liquid or gas substances from a static structure to a rotating one. They are designed to work at a wide range temperatures and pressures, also in hard environment. They can also simultaneously handle different medium.

**Swivel joint** can be adopted on a wide range of applications (from small to big dimensions), on different machines like bobcats, Earth moving machines, packaging machines, machine tools, petrochemical machines. They are produced by different raw material, seals and ball bearings depending on their purpose.

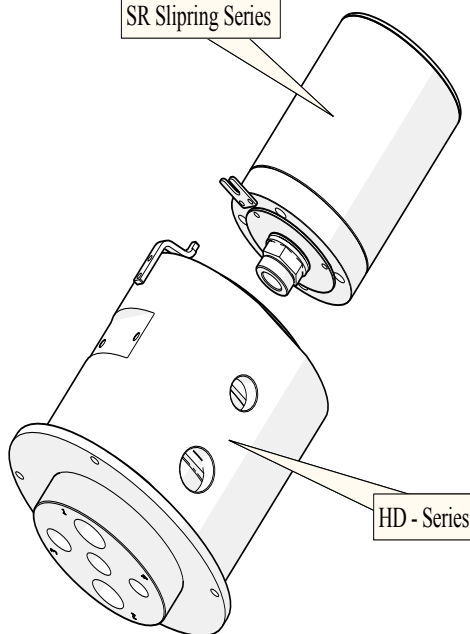




Full assembly

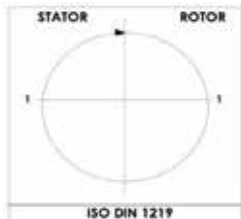
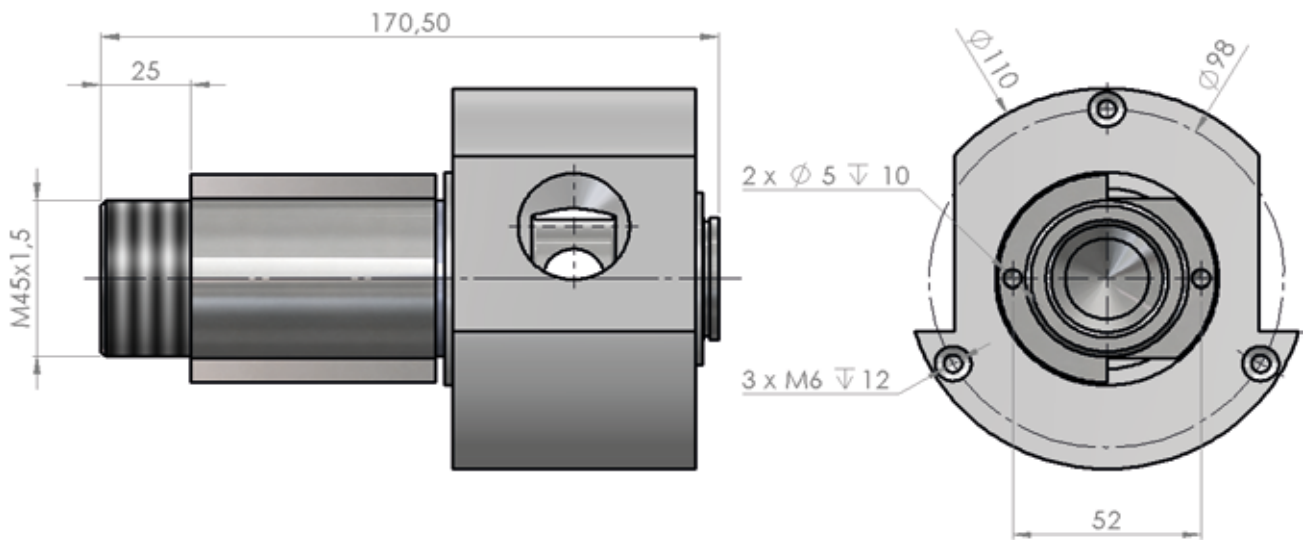


SR Slipring Series



Swivel joints Series HD can be assembled with slipring Series SR75, SR110, SR150, SR180, SR200 and SR320 produced by Demac. Please check the bottom table for example standard combinations. Other combinations available on request, please send a mail to [info@demac.it](mailto:info@demac.it) for more information.

Hydr. Distributor code example	Complete assembly code			
	HD+SR75	HD+SR150	HD+SR200	HD+SR320
	"xxx" = version number			
HD75.4D	HD75.4D+SR75.xxx	HD75.4D+SR150.xxx	HD75.4D+SR200.xxx	HD75.4D+SR320.xxx


**PORT SPECIFICATION**

Pos.	Port		Dn mm	Work. Pressure Bar	Test Pressure Bar	Max flow l/min	Fluid
	Stator	Rotor					
1	1" BSP	1" BSP	25	350	400	200	Hydraulic Oil or Water

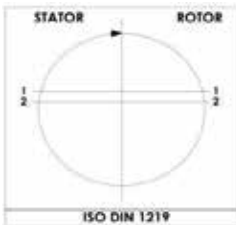
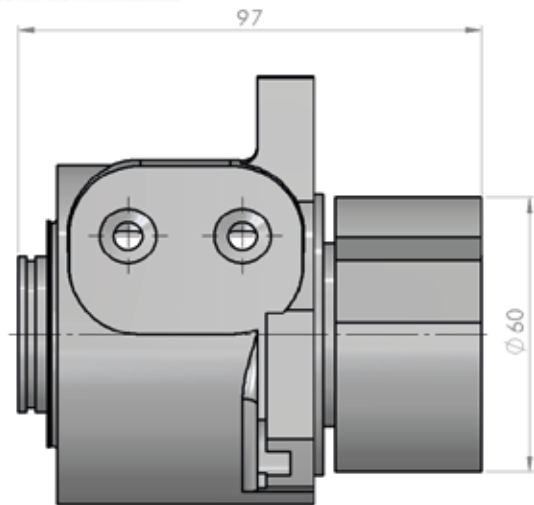
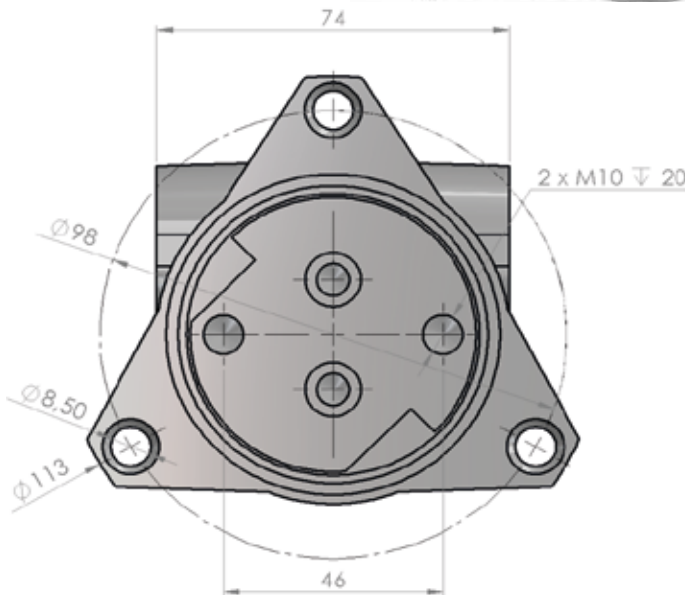
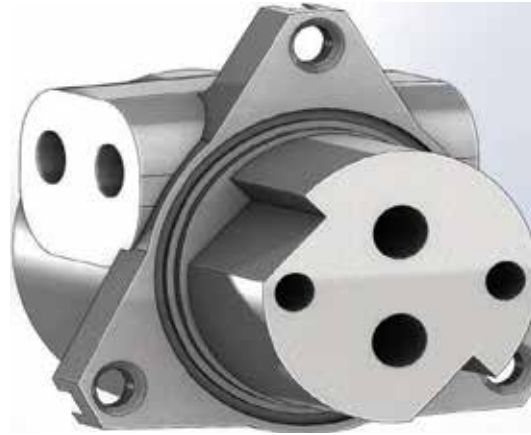
**Working pressure in rotation**

Max rotating speed	150	RPM
Operating temperature	-20/+80	°C
Material	Shaft	stainless steel
	Hub	stainless steel

Weight	5.5	kg
--------	-----	----

Cod.

**HD36.E/IV**



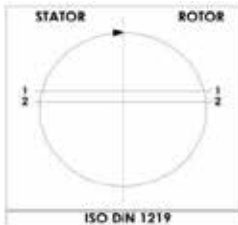
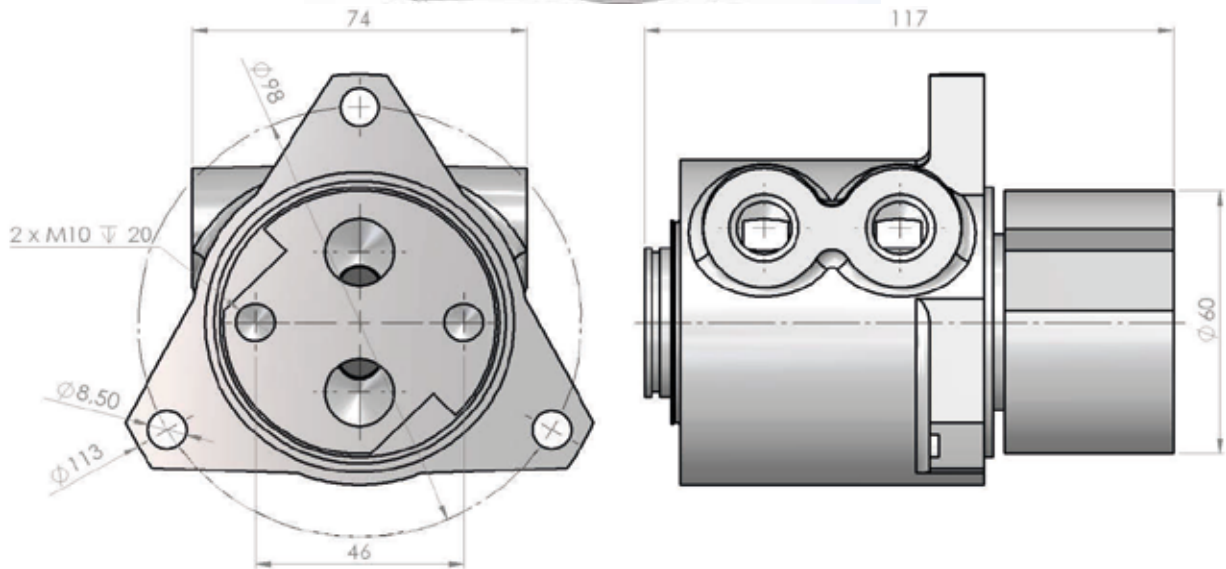
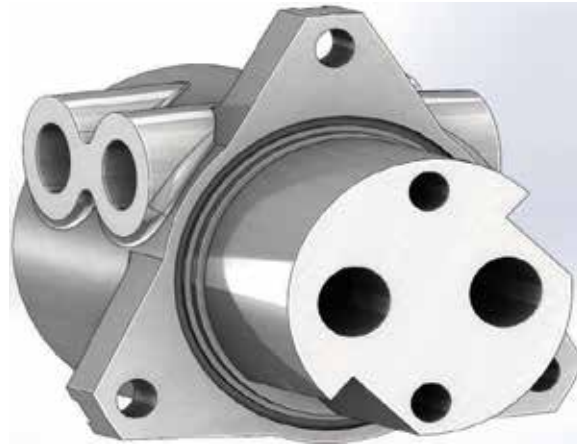
PORT SPECIFICATION							
Pos.	Port		Dn	Work. Pressure	Test Pressure	Max flow	Fluid
	Stator	Rotor	mm	Bar	Bar	l/min	
1	1/4" BSP	1/4" BSP	7	300	400	40	Hydraulic Oil
2							

Working pressure in rotation		
Max rotating speed	30	RPM
Operating temperature	-20/+80	°C
Material	Shaft	Iron
	Hub	Cust iron

Weight	2.5	kg
External finish	Shaft	Galvanized
	Hub	Galvanized

Cod.	
<b>HD36.2A</b>	



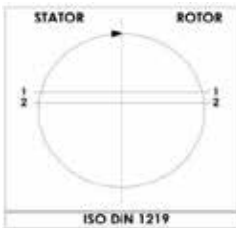
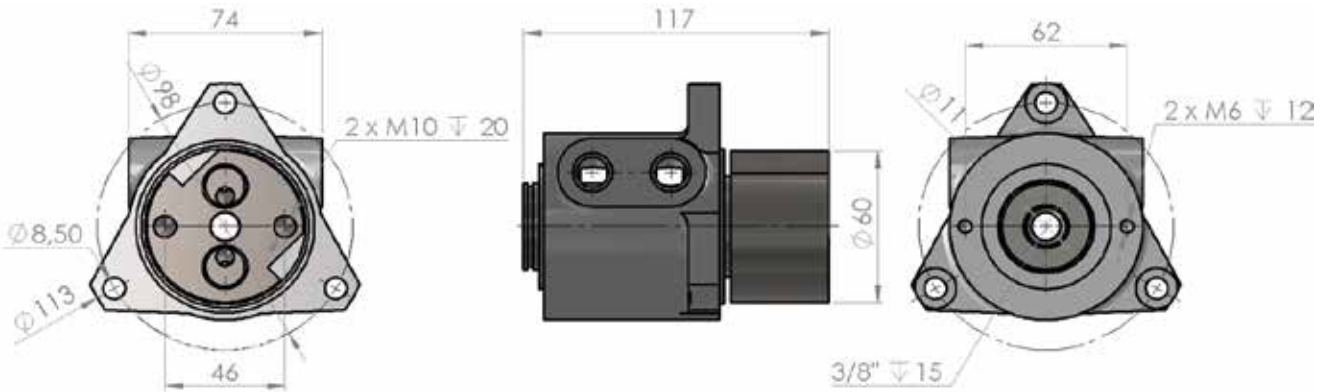


PORT SPECIFICATION							
Pos.	Port		Dn	Work. Pressure	Test Pressure	Max flow	Fluid
	Stator	Rotor	mm	Bar	Bar	l/min	
1	3/8" BSP	3/8" BSP	10	400	430	60	Hydraulic Oil
2							

<b>Working pressure in rotation</b>		
<b>Max rotating speed</b>	30	RPM
<b>Operating temperature</b>	-20/+80	°C
<b>Material</b>	Shaft	Iron
	Hub	Cust iron

<b>Weight</b>	3	kg
<b>External finish</b>	Shaft	Galvanized
	Hub	Galvanized

Cod.	
<b>HD36.2B</b>	

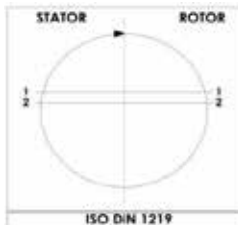
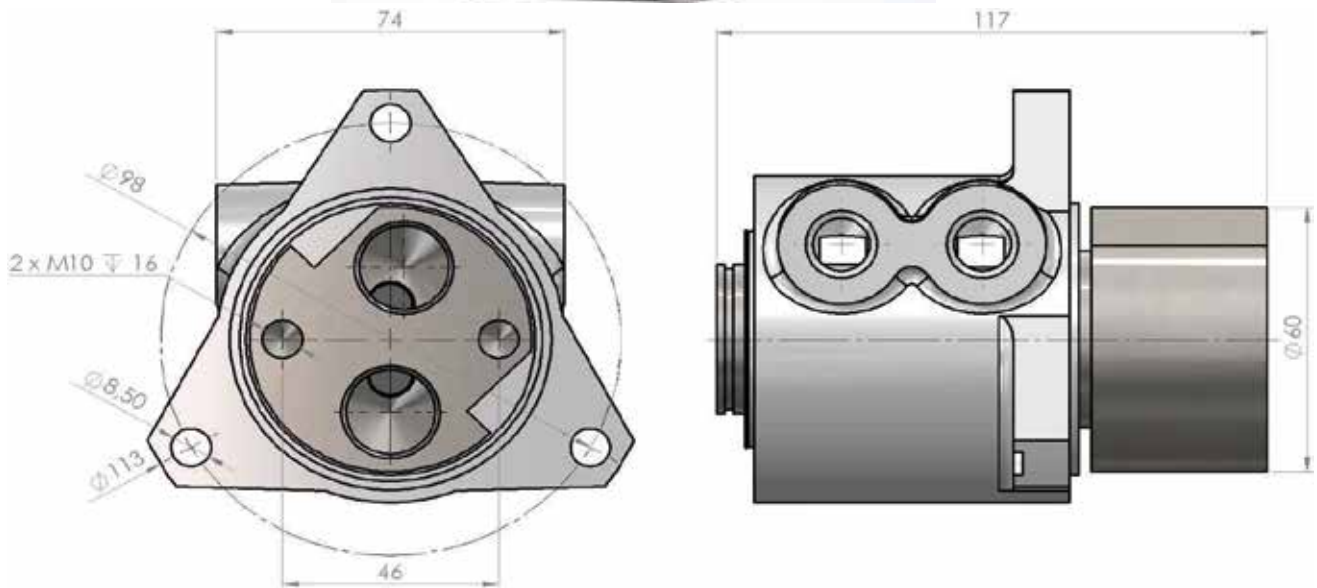
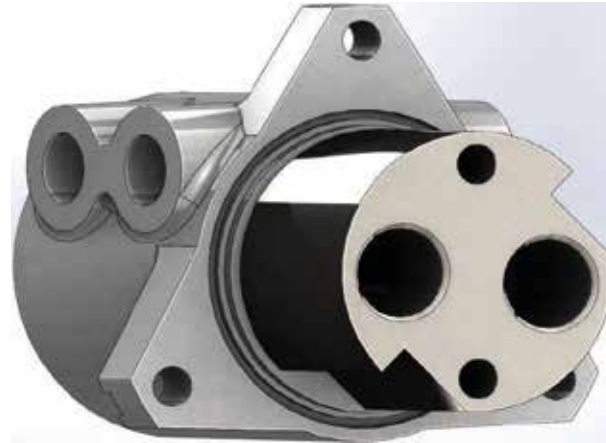


PORT SPECIFICATION							
Pos.	Port		Dn	Work. Pressure	Test Pressure	Max flow	Fluid
	Stator	Rotor	mm	Bar	Bar	l/min	
1	3/8" BSP	3/8" BSP	10	400	430	60	Hydraulic Oil
2							

Working pressure in rotation		
Max rotating speed	30	RPM
Operating temperature	-20/+80	°C
Material	Shaft	Iron
	Hub	Cust iron

Weight	3	kg
External finish	Shaft	Galvanized
	Hub	Galvanized

Cod.	
<b>HD36.2B/E</b>	

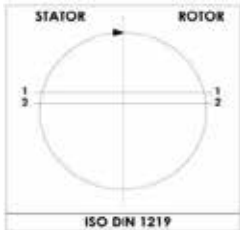
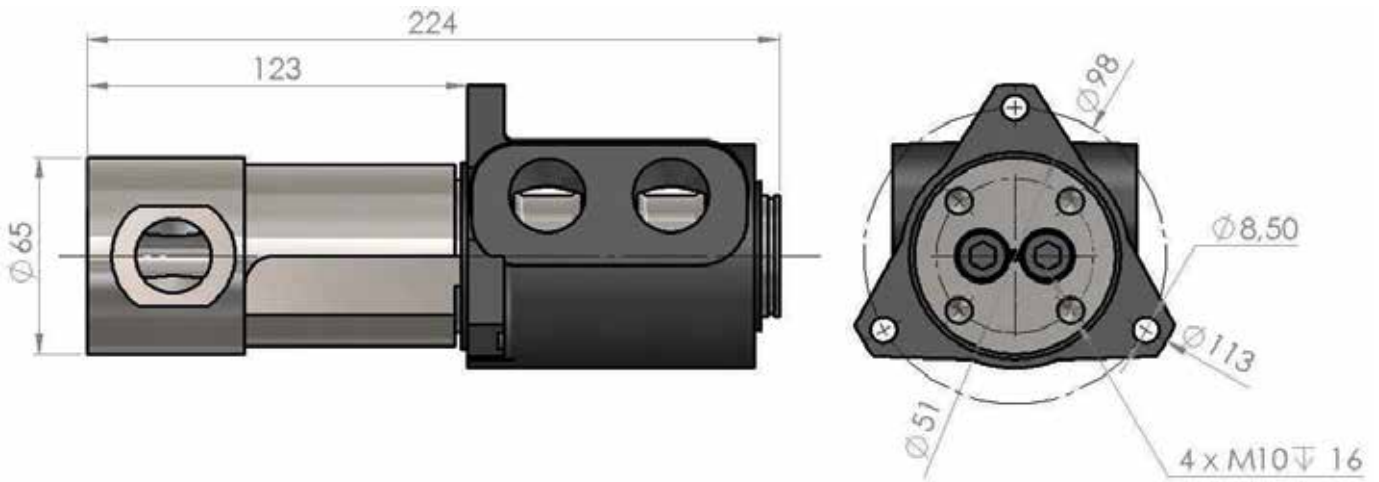


PORT SPECIFICATION							
Pos.	Port		Dn mm	Work. Pressure Bar	Test Pressure Bar	Max flow l/min	Fluid
	Stator	Rotor					
1	1/2" BSP	1/2" BSP	12	400	420	80	Hydraulic Oil
2							

Working pressure in rotation		
Max rotating speed	30	RPM
Operating temperature	-20/+80	°C
Material	Shaft	Iron
	Hub	Cust iron

Weight	3	kg
External finish	Shaft	Galvanized
	Hub	Galvanized

Cod.	
<b>HD36.2C</b>	

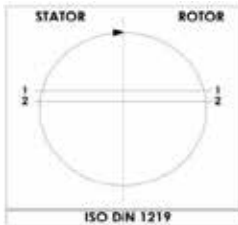
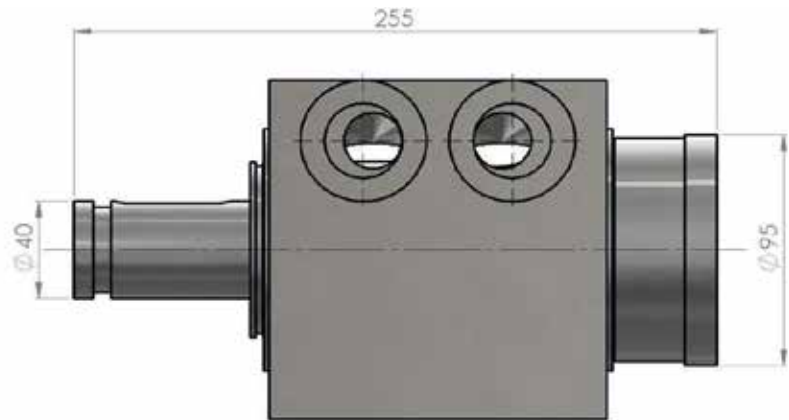
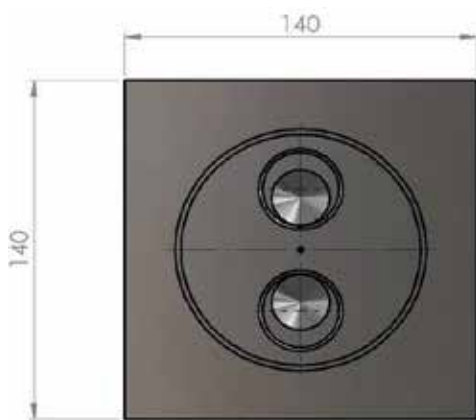
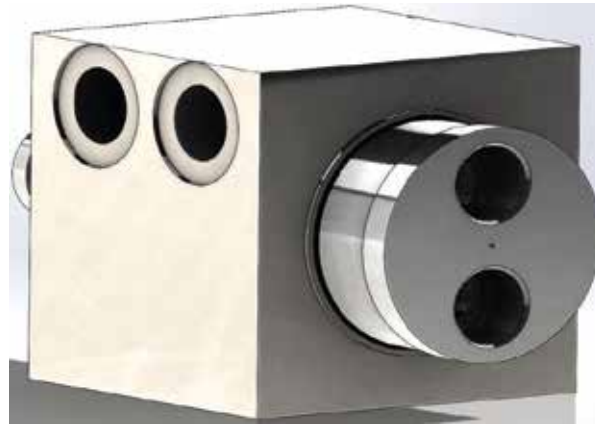


PORT SPECIFICATION							
Pos.	Port		Dn	Work. Pressure	Test Pressure	Max flow	Fluid
	Stator	Rotor	mm	Bar	Bar	l/min	
1	3/4" BSP	3/4" BSP	19	300	350	150	Hydraulic Oil
2							

Working pressure in rotation		
Max rotating speed	15	RPM
Operating temperature	-20/+80	°C
Material	Shaft	Iron
	Hub	Cust iron

Weight	5	kg
External finish	Shaft	Galvanized
	Hub	Galvanized

Cod.	
<b>HD36.2D</b>	

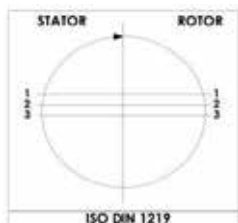
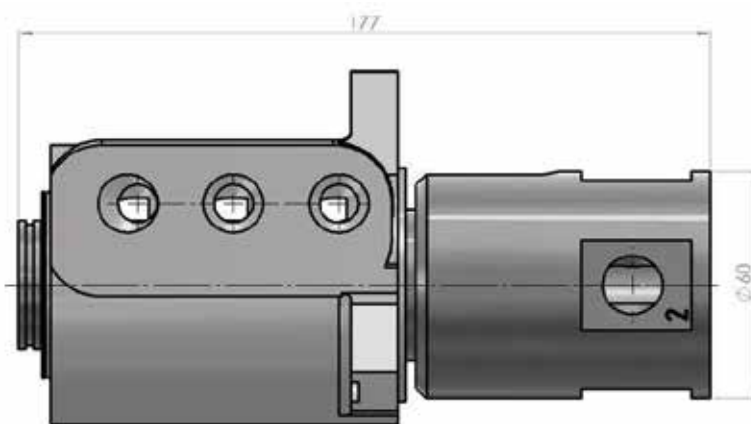
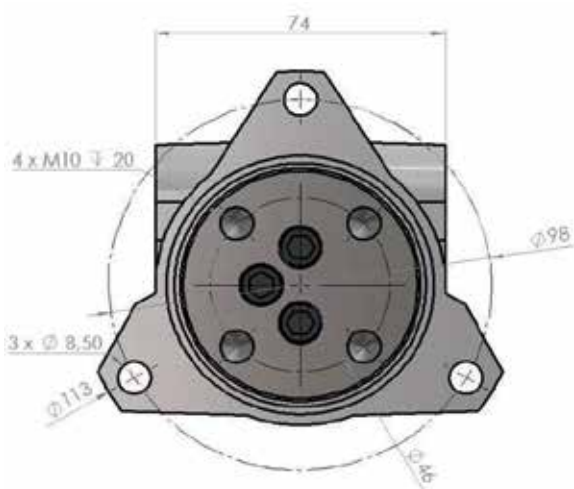


PORT SPECIFICATION							
Pos.	Port		Dn	Work. Pressure	Test Pressure	Max flow	Fluid
	Stator	Rotor	mm	Bar	Bar	l/min	
1	1" BSP	1" BSP	25	350	400	200	Hydraulic Oil
2							

Working pressure in rotation		
Max rotating speed	150	RPM
Operating temperature	-20/+80	°C
Material	Shaft	Iron
	Hub	Cust iron

Weight	20	kg
External finish	Shaft	Galvanized
	Hub	Galvanized

Cod.	
<b>HD75.2E</b>	

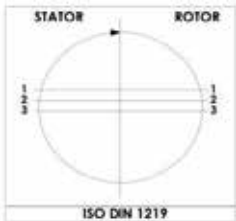
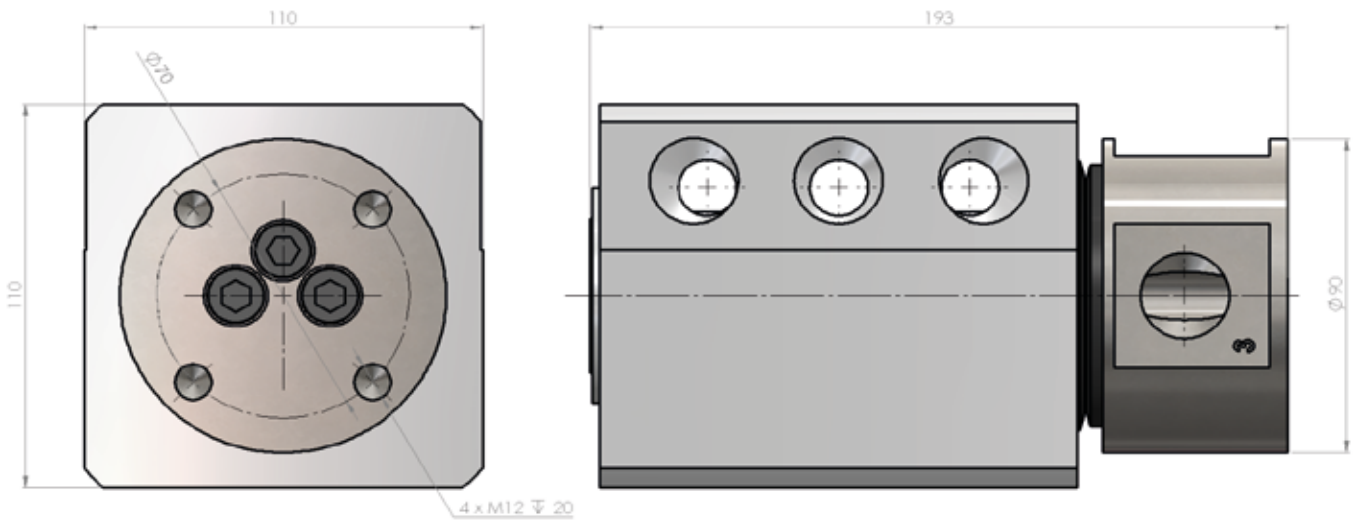


PORT SPECIFICATION							
Pos.	Port		Dn	Work. Pressure	Test Pressure	Max flow	Fluid
	Stator	Rotor	mm	Bar	Bar	l/min	
1							
2	3/8" BSP	3/8" BSP	10	350	400	80	Hydraulic Oil
3							

<b>Working pressure in rotation</b>		
<b>Max rotating speed</b>	15	RPM
<b>Operating temperature</b>	-20/+80	°C
<b>Material</b>	Shaft	Iron
	Hub	Cust iron

<b>Weight</b>	4.5	kg
<b>External finish</b>	Shaft	Galvanized
	Hub	Galvanized

Cod.	
<b>HD36.3B</b>	

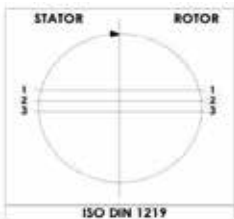
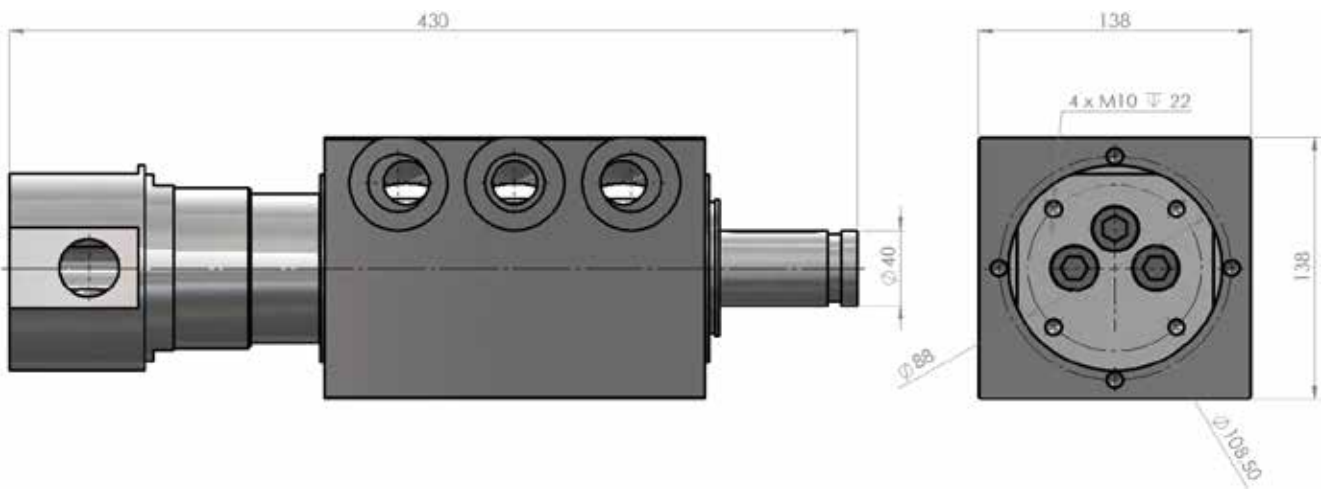


PORT SPECIFICATION							
Pos.	Port		Dn mm	Work. Pressure Bar	Test Pressure Bar	Max flow l/min	Fluid
	Stator	Rotor					
1	3/4" BSP	3/4" BSP	19	350	400	150	Hydraulic Oil
2							
3							

Working pressure in rotation		
Max rotating speed	150	RPM
Operating temperature	-20/+80	°C
Material	Shaft	Iron
	Hub	Cust iron

Weight	12	kg
External finish	Shaft	Galvanized
	Hub	Galvanized

Cod.	
<b>HD50.3D</b>	



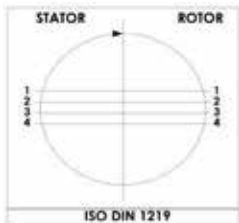
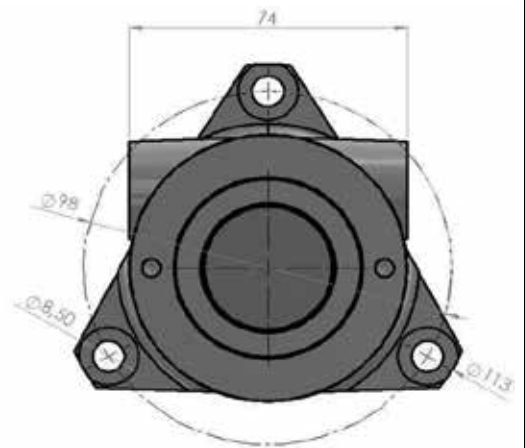
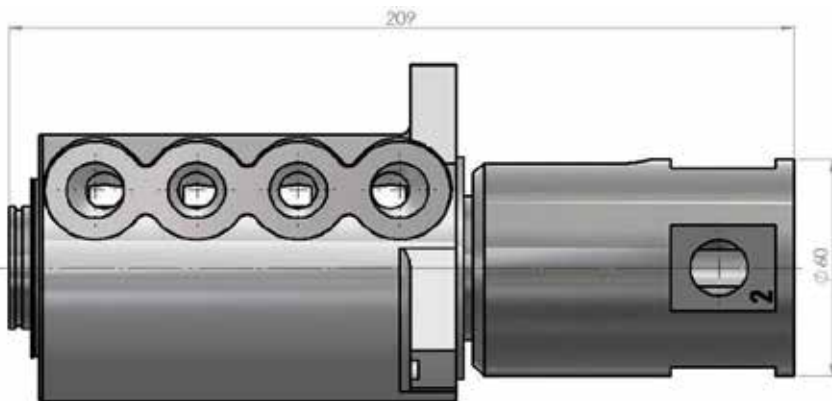
PORT SPECIFICATION							
Pos.	Port		Dn	Work. Pressure	Test Pressure	Max flow	Fluid
	Stator	Rotor	mm	Bar	Bar	l/min	
1	1" BSP	1" BSP	25	350	400	200	Hydraulic Oil
2							
3							

Working pressure in rotation		
Max rotating speed	150	RPM
Operating temperature	-20/+80	°C
Material	Shaft	Iron
	Hub	Cust iron

Weight	30	kg
External finish	Shaft	Galvanized
	Hub	Galvanized

Cod.	
<b>HD75.3E</b>	



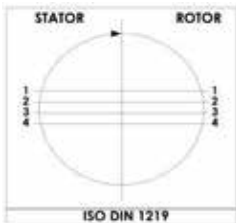
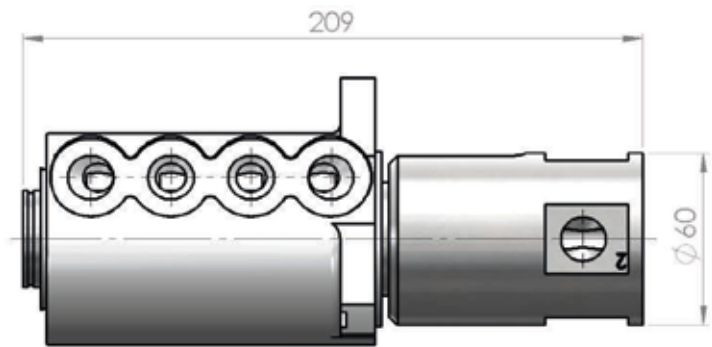
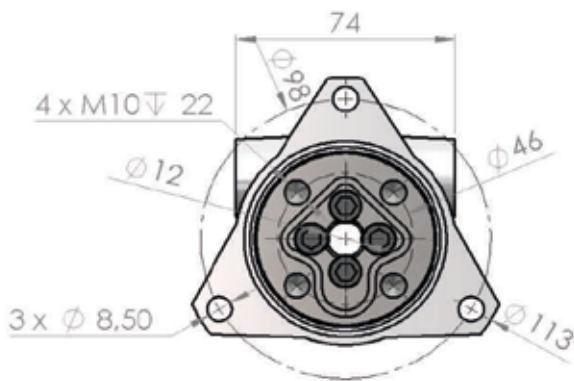


PORT SPECIFICATION							
Pos.	Port		Dn mm	Work. Pressure Bar	Test Pressure Bar	Max flow l/min	Fluid
	Rotor	Stator					
1	3/8" BSP	3/8" BSP	10	350	400	60	Hydraulic Oil
2							
3							
4							

Working pressure in rotation		
Max rotating speed	15	RPM
Operating temperature	-20/+80	°C
Material	Shaft	Iron
	Hub	Cust iron

Weight	5	kg
External finish	Shaft	Galvanized
	Hub	Galvanized

Cod.	
<b>HD36.4B</b>	

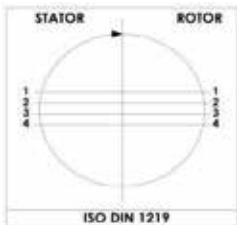
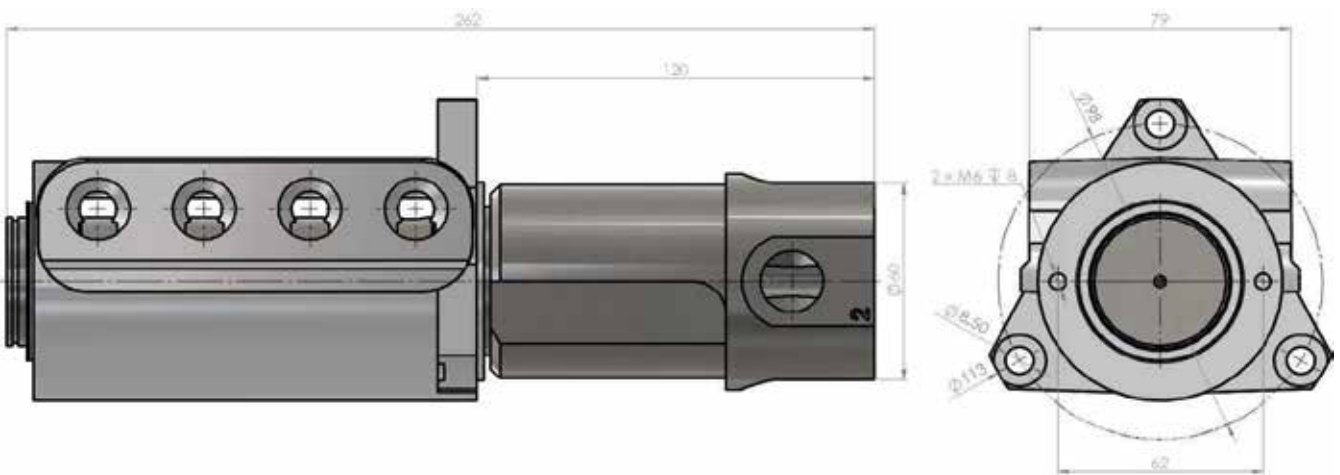


PORT SPECIFICATION							
Pos.	Port		Dn	Work. Pressure	Test Pressure	Max flow	Fluid
	Rotor	Stator	mm	Bar	Bar	l/min	
1	3/8" BSP	3/8" BSP	10	350	400	60	Hydraulic Oil
2							
3							
4							

Working pressure in rotation		
Max rotating speed	15	RPM
Operating temperature	-20/+80	°C
Material	Shaft	Iron
	Hub	Cust iron

Weight	5	kg
External finish	Shaft	Galvanized
	Hub	Galvanized

Cod.	
<b>HD36.4B/E</b>	

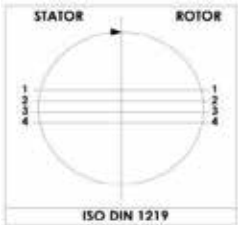
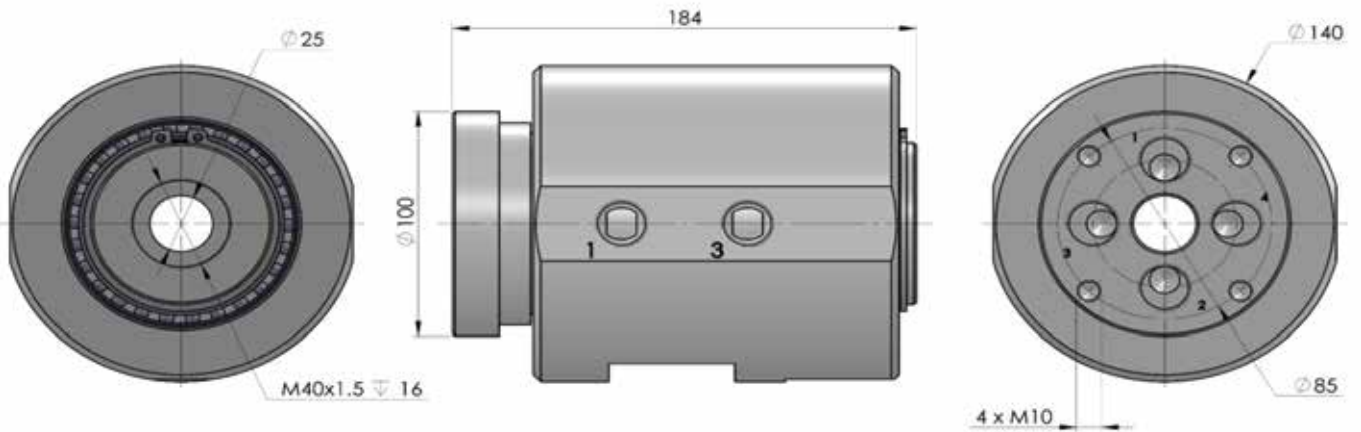


PORT SPECIFICATION							
Pos.	Port		Dn mm	Work. Pressure Bar	Test Pressure Bar	Max flow l/min	Fluid
	Rotor	Stator					
1	1/2" BSP	1/2" BSP	12	350	400	80	Hydraulic Oil
2							
3							
4							

Working pressure in rotation		
Max rotating speed	15	RPM
Operating temperature	-20/+80	°C
Material	Shaft	Iron
	Hub	Cust iron

Weight	8	kg
External finish	Shaft	Galvanized
	Hub	Galvanized

Cod.	
<b>HD36.4C</b>	

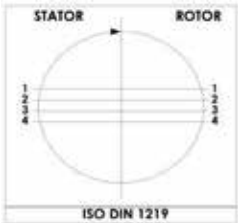
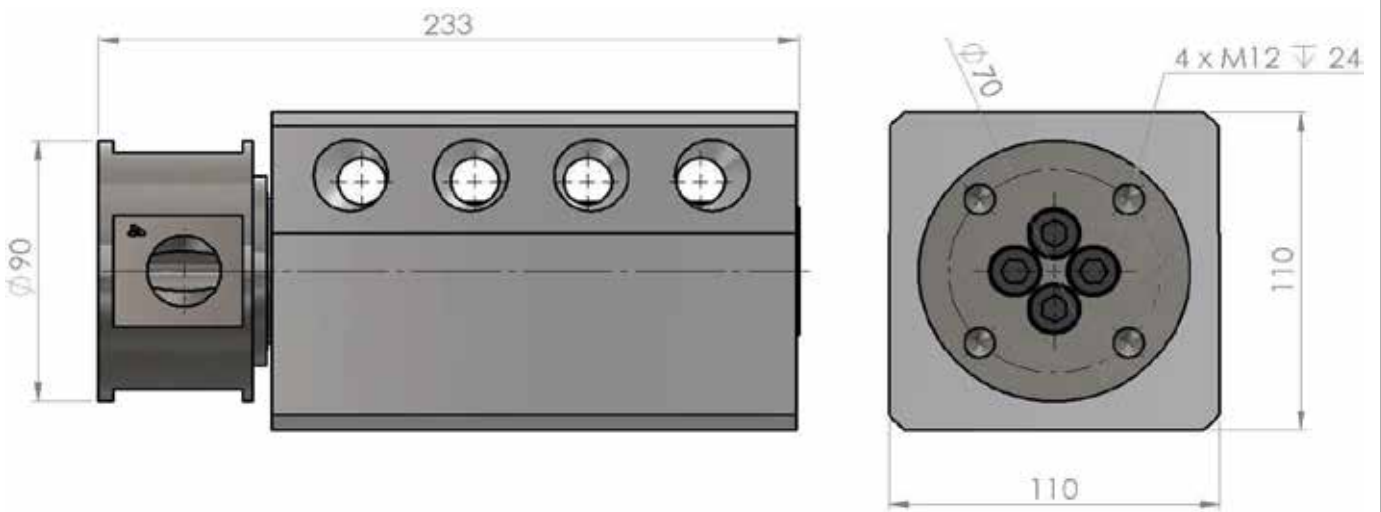
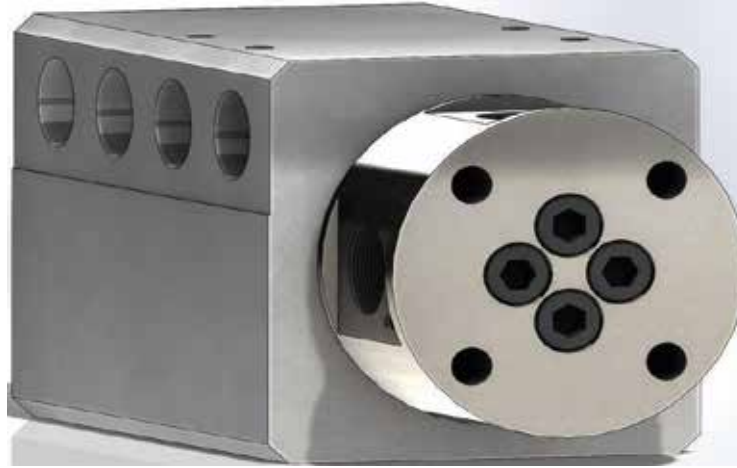


PORT SPECIFICATION							
Pos.	Port		Dn mm	Work. Pressure Bar	Test Pressure Bar	Max flow l/min	Fluid
	Rotor	Stator					
1	1/2" BSP	1/2" BSP	12	350	400	80	Hydraulic Oil
2							
3							
4							

Working pressure in rotation		
Max rotating speed	15	RPM
Operating temperature	-20/+80	°C
Material	Shaft	Iron
	Hub	Iron

Weight	16	kg
External finish	Shaft	Galvanized
	Hub	Galvanized

Cod.	
<b>HD75.4C</b>	

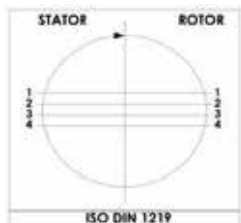
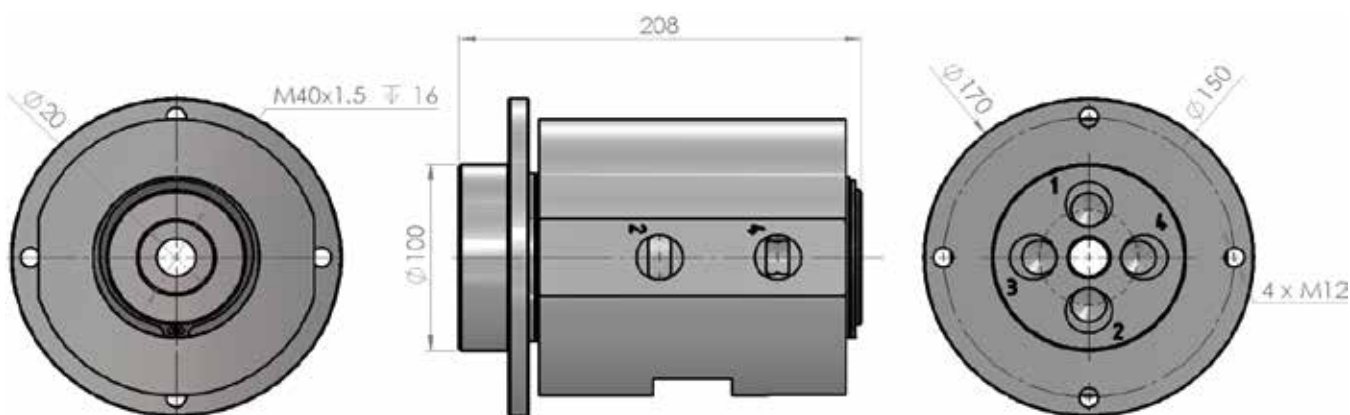


PORT SPECIFICATION							
Pos.	Port		Dn mm	Work. Pressure Bar	Test Pressure Bar	Max flow l/min	Fluid
	Rotor	Stator					
1	3/4" BSP	3/4" BSP	19	350	400	150	Hydraulic Oil
2							
3							
4							

Working pressure in rotation		
Max rotating speed	150	RPM
Operating temperature	-20/+80	°C
Material	Shaft	Iron
	Hub	Cust iron

Weight	16	kg
External finish	Shaft	Galvanized
	Hub	Galvanized

Cod.	
<b>HD50.4D</b>	



PORT SPECIFICATION							
Pos.	Port		Dn mm	Work. Pressure Bar	Test Pressure Bar	Max flow l/min	Fluid
	Rotor	Stator					
1	3/4" BSP	3/4" BSP	19	350	400	150	Hydraulic Oil
2							
3							
4							

**ATEX FEATURES**

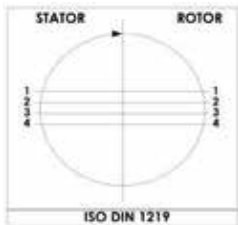
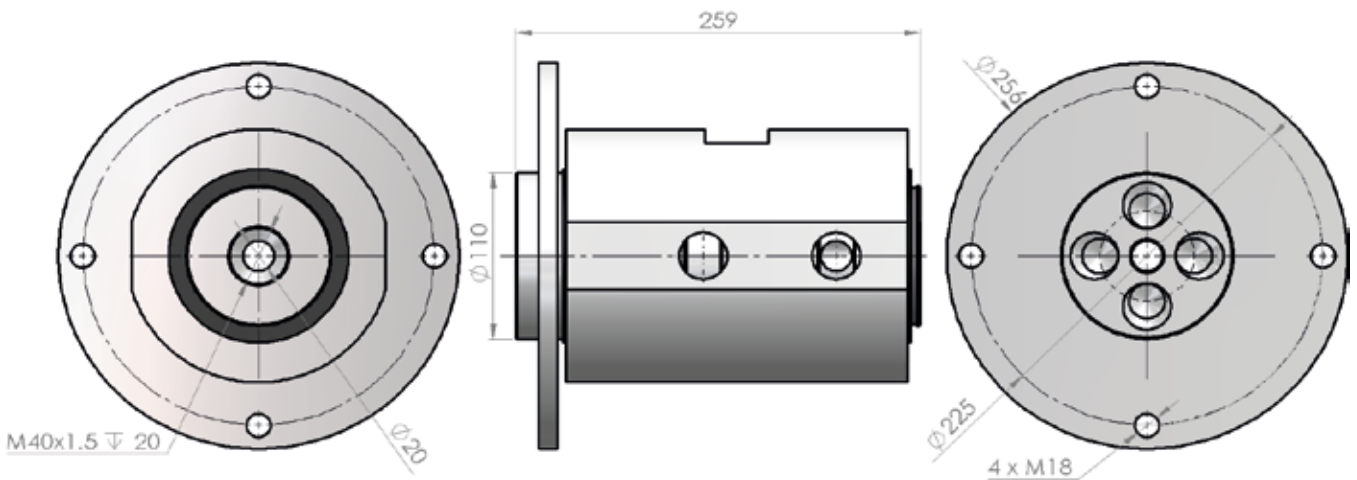
II 2 G IIB T4  
II 2 D c T135°C

TÜV NORD 14 ATEX 35140794

Working pressure in rotation		
Max rotating speed	15	RPM
Operating temperature	-20/+80	°C
Material	Shaft	Iron
	Hub	Iron

Weight	21	kg
External finish	Shaft	Galvanized
	Hub	Galvanized

Cod.		
HD75.4D	HDAtex75.4D	



PORT SPECIFICATION							
Pos.	Port		Dn	Work. Pressure	Test Pressure	Max flow	Fluid
	Rotor	Stator	mm	Bar	Bar	l/min	
1	1" BSP	1" BSP	25	350	400	200	Hydraulic Oil
2							
3							
4							

**ATEX FEATURES**

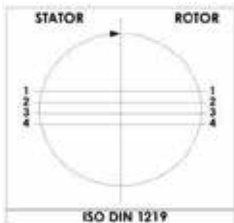
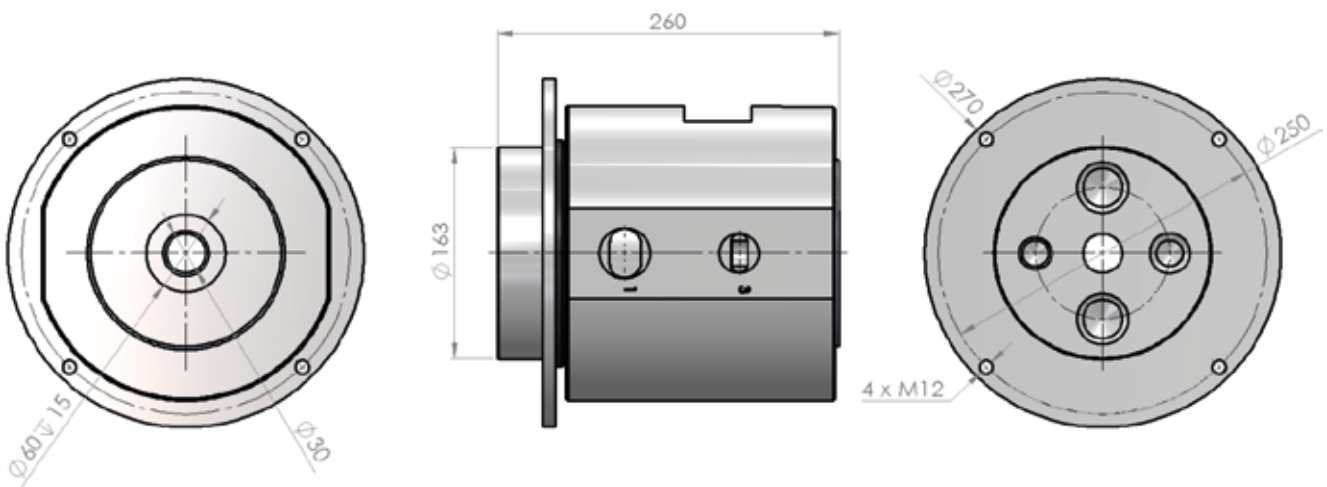
II 2 G IIB T4  
II 2 D c T135°C

TÜV NORD 14 ATEX 35140794

Working pressure in rotation		
Max rotating speed	15	RPM
Operating temperature	-20/+80	°C
Material	Shaft	Iron
	Hub	Cust iron

Weight	36	kg
External finish	Shaft	Galvanized
	Hub	Galvanized

Cod.		
HD95.4E	HDAtex95.4E	



PORT SPECIFICATION							
Pos.	Port		Dn mm	Work. Pressure Bar	Test Pressure Bar	Max flow l/min	Fluid
	Rotor	Stator					
1	1.1/4" BSP	1.1/4" BSP	32	350	400	220	Hydraulic Oil
2	1" BSP	1" BSP	25				
3	3/4" BSP	3/4" BSP	19				
4							

**ATEX FEATURES**

II 2 G IIB T4  
II 2 D c T135°C

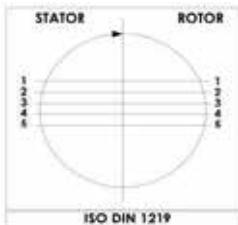
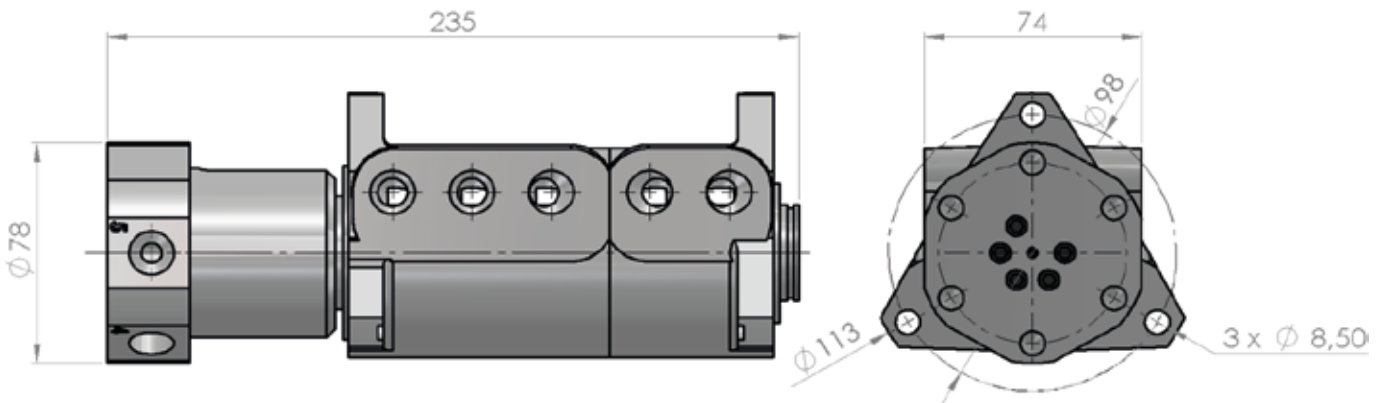
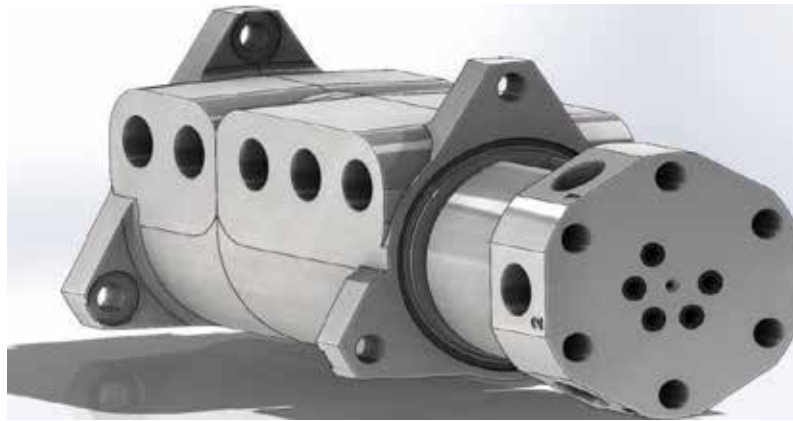
TÜV NORD 14 ATEX 35140794

Working pressure in rotation		
Max rotating speed	15	RPM
Operating temperature	-20/+80	°C
Material	Shaft	Iron
	Hub	Cust iron

Weight	64	kg
External finish	Shaft	Galvanized
	Hub	Galvanized

Cod.		
HD145.DE2F	HDAtex145.DE2F	





PORT SPECIFICATION							
Pos.	Port		Dn	Work. Pressure	Test Pressure	Max flow	Fluid
	Rotor	Stator	mm	Bar	Bar	l/min	
1	3/8" BSP	3/8" BSP	10	300	400	60	Hydraulic Oil
2							
3							
4							
5							

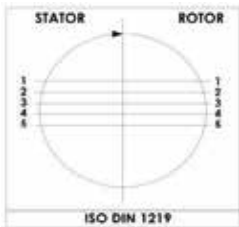
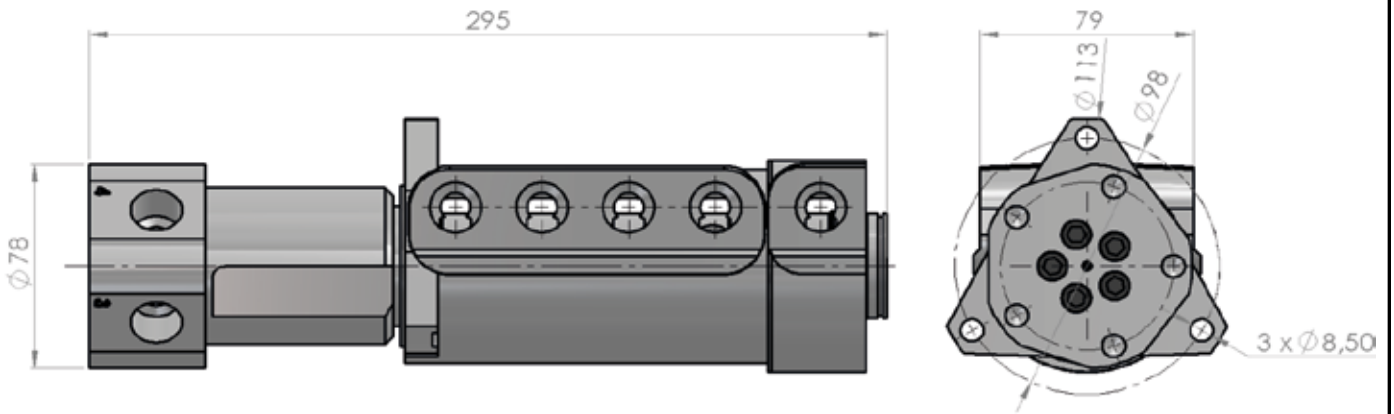
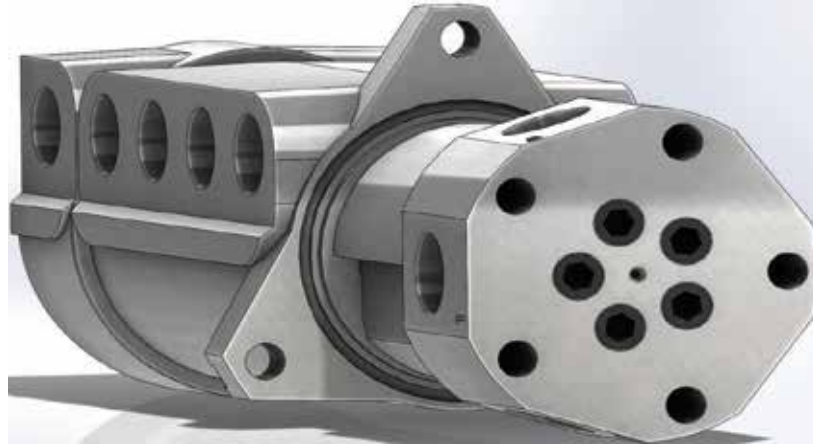
**Working pressure in rotation**

Max rotating speed	15	RPM
Operating temperature	-20/+80	°C
Material	Shaft	Iron
	Hub	Cust iron

Weight	7	kg
External finish	Shaft	Galvanized
	Hub	Galvanized

Cod.

**HD36.5B**

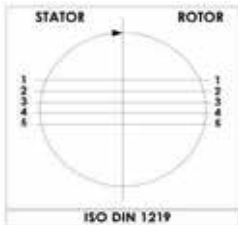
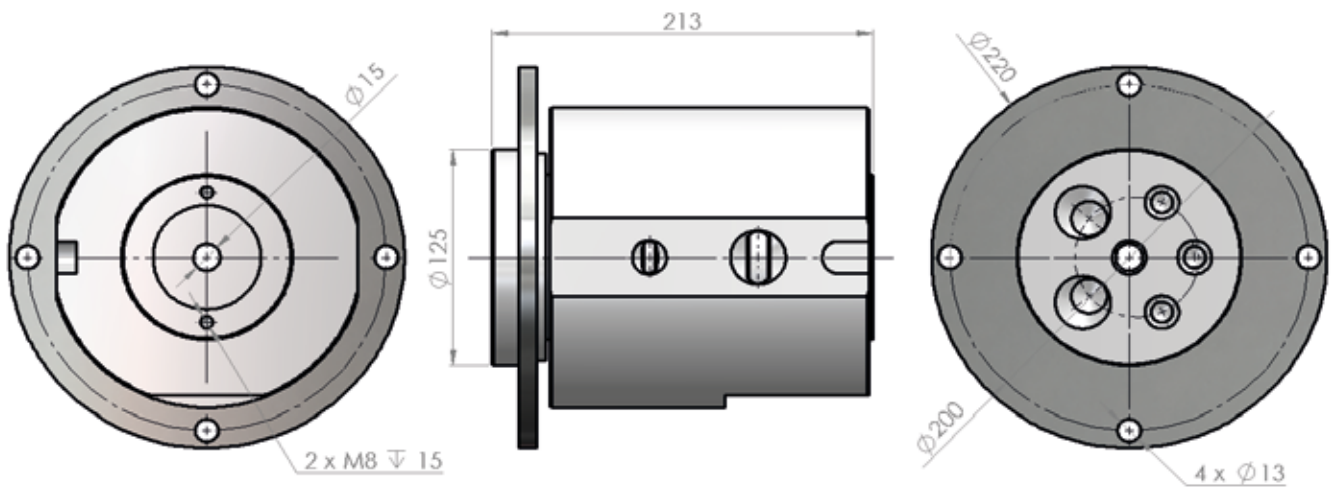


PORT SPECIFICATION							
Pos.	Port		Dn mm	Work. Pressure Bar	Test Pressure Bar	Max flow l/min	Fluid
	Rotor	Stator					
1	1/2" BSP	1/2" BSP	12	300	400	80	Hydraulic Oil
2							
3							
4							
5							

Working pressure in rotation		
Max rotating speed	15	RPM
Operating temperature	-20/+80	°C
Material	Shaft	Iron
	Hub	Cust iron

Weight	8	kg
External finish	Shaft	Galvanized
	Hub	Galvanized

Cod.	
<b>HD36.5C</b>	



PORT SPECIFICATION							
Pos.	Port		Dn	Work. Pressure	Test Pressure	Max flow	Fluid
	Rotor	Stator	mm	Bar	Bar	l/min	
1	1/2" BSP	1/2" BSP	12	350	400	80	Hydraulic Oil
2							
3							
4	1" BSP	1" BSP	20	200			
5							

**ATEX FEATURES**

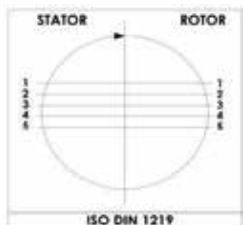
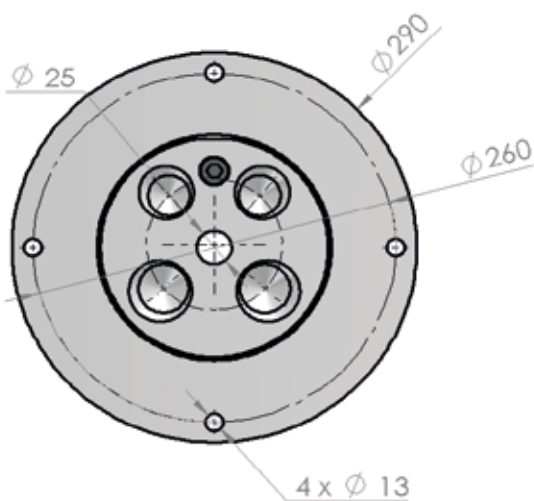
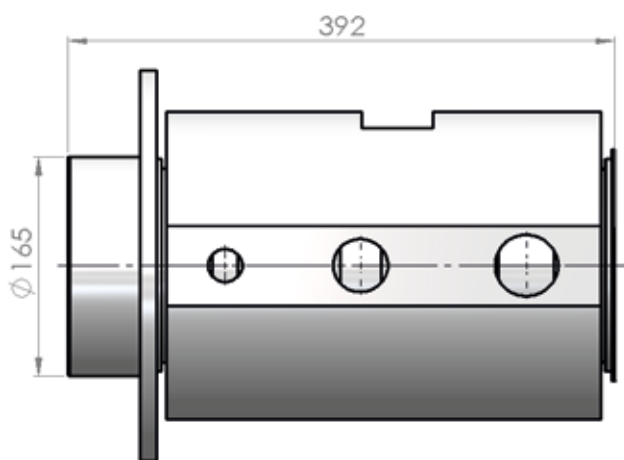
II 2 G IIB T4  
II 2 D c T135°C

TÜV NORD 14 ATEX 35140794

Working pressure in rotation		
Max rotating speed	15	RPM
Operating temperature	-20/+80	°C
Material	Shaft	Iron
	Hub	Iron

Weight	31	kg
External finish	Shaft	Galvanized
	Hub	Galvanized

Cod.	
<b>HD95.3C2E</b>	<b>HDAtex95.3C2E</b>



PORT SPECIFICATION							
Pos.	Port		Dn	Work. Pressure	Test Pressure	Max flow	Fluid
	Rotor	Stator	mm	Bar	Bar	l/min	
1	3/4" BSP	3/4" BSP	19	350	400	150	Hydraulic Oil
2	1.1/4" BSP	1.1/4" BSP	32			220	
3							
4	1.1/2" BSP	1.1/2" BSP	38			250	
5							

**ATEX FEATURES**

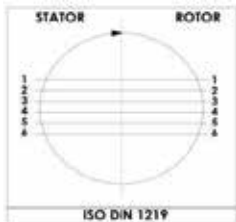
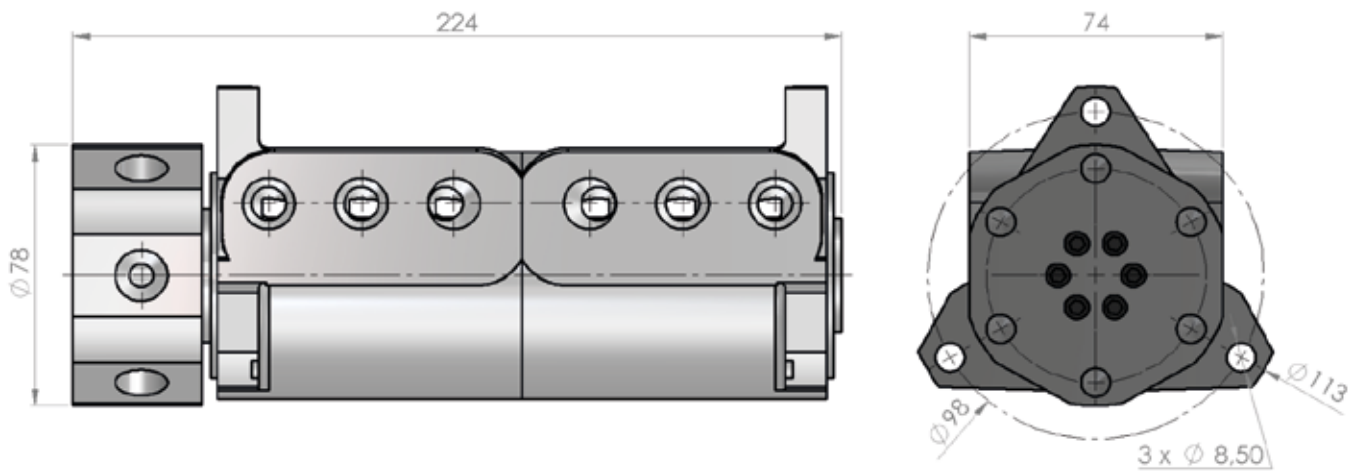
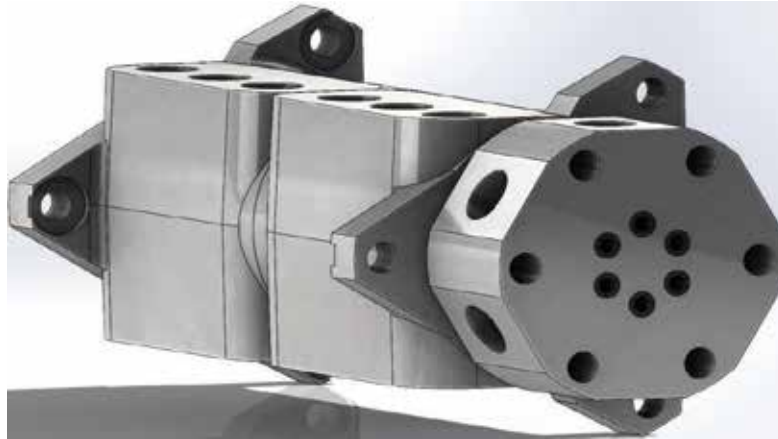
II 2 G IIB T4  
II 2 D c T135°C

TÜV NORD 14 ATEX 35140794

Working pressure in rotation		
Max rotating speed	15	RPM
Operating temperature	-20/+80	°C
Material	Shaft	Iron
	Hub	Iron

Weight	90	kg
External finish	Shaft	Galvanized
	Hub	Galvanized

Cod.	
HD145.D2F2G	HDAtex145.D2F2G

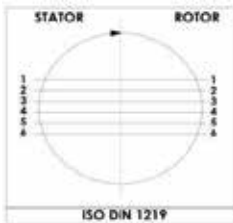
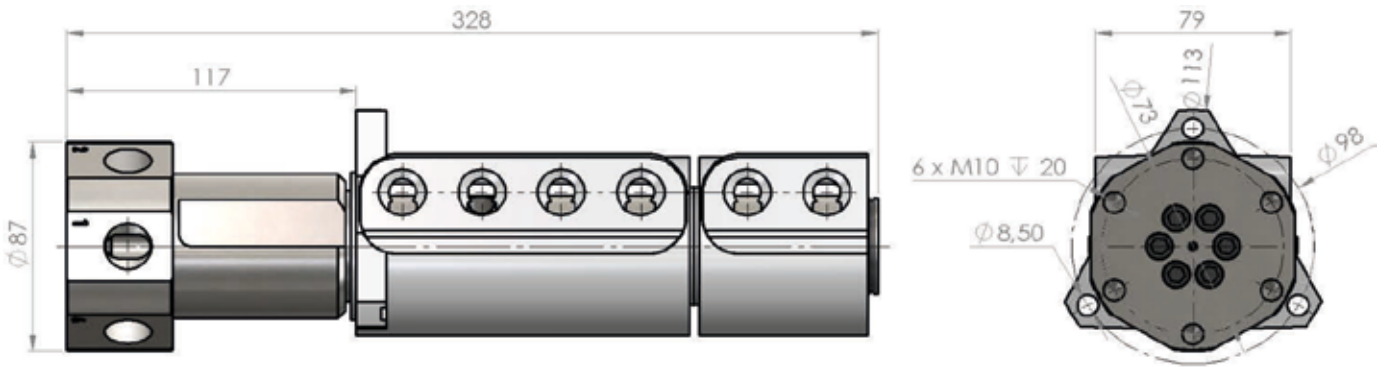
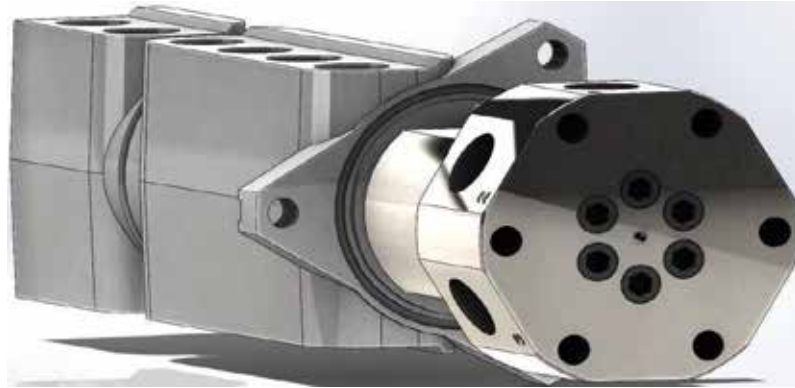


PORT SPECIFICATION							
Pos.	Port		Dn mm	Work. Pressure Bar	Test Pressure Bar	Max flow l/min	Fluid
	Rotor	Stator					
1	3/8" BSP	3/8" BSP	10	300	400	60	Hydraulic Oil
2							
3							
4							
5							
6							

Working pressure in rotation		
Max rotating speed	15	RPM
Operating temperature	-20/+80	°C
Material	Shaft	Iron
	Hub	Cust iron

Weight	7	kg
External finish	Shaft	Galvanized
	Hub	Galvanized

Cod.	
<b>HD10004</b>	

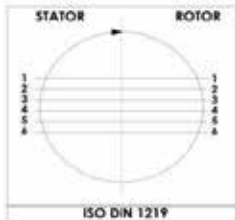
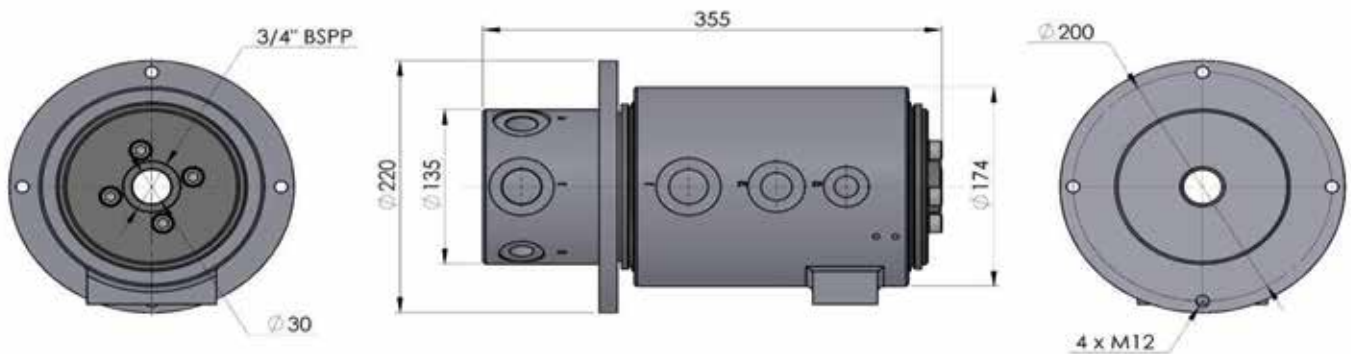


PORT SPECIFICATION							
Pos.	Port		Dn	Work. Pressure	Test Pressure	Max flow	Fluid
	Rotor	Stator	mm	Bar	Bar	l/min	
1	1/2" BSP	1/2" BSP	12	300	400	80	Hydraulic Oil
2							
3							
4							
5							
6							

Working pressure in rotation		
Max rotating speed	15	RPM
Operating temperature	-20/+80	°C
Material	Shaft	Iron
	Hub	Cust iron

Weight	9	kg
External finish	Shaft	Galvanized
	Hub	Galvanized

Cod.	
<b>HD42.6C</b>	



PORT SPECIFICATION							
Pos.	Port		Dn	Work. Pressure	Test Pressure	Max flow	Fluid
	Rotor	Stator	mm	Bar	Bar	l/min	
1	1" BSP	1" BSP	22	300	350	200	Hydraulic Oil
2	1" BSP	1" BSP	22			200	
3	3/4" BSP	3/4" BSP	18			150	
4	3/4" BSP	3/4" BSP	18			150	
5	1/2" BSP	1/2" BSP	14	10	50	80	Drain
6	1/2" BSP	1/2" BSP	14			80	

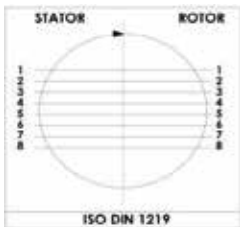
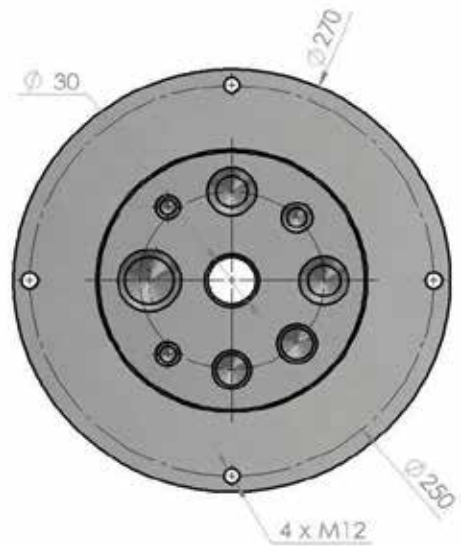
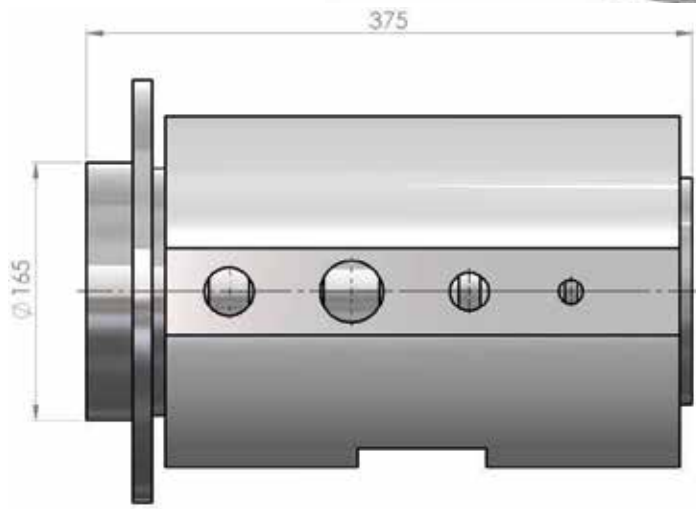
**Working pressure in rotation**

Max rotating speed	12	RPM
Operating temperature	-10/+85	°C
Material	Shaft	Iron
	Hub	Iron

Weight	50	kg
External finish	Shaft	Painted
	Hub	Painted

Cod.

**HD100.2C2D2E**



PORT SPECIFICATION							
Pos.	Port		Dn	Work. Pressure	Test Pressure	Max flow	Fluid
	Rotor	Stator	mm	Bar	Bar	l/min	
1	3/8" BSP	3/8" BSP	10	350	400	60	Hydraulic Oil
2			12			80	
3	1/2" BSP	1/2" BSP	12			150	
4	3/4" BSP	3/4" BSP	19			200	
5			25			220	
6	1" BSP	1" BSP	25				
7	1.1/4" BSP	1.1/4" BSP	32				
8							

**ATEX FEATURES**

II 2 G IIB T4  
II 2 D c T135°C

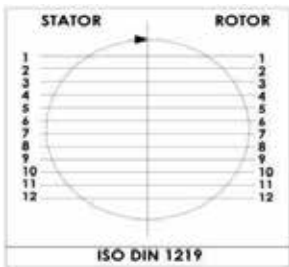
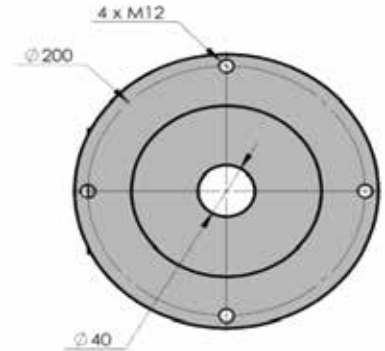
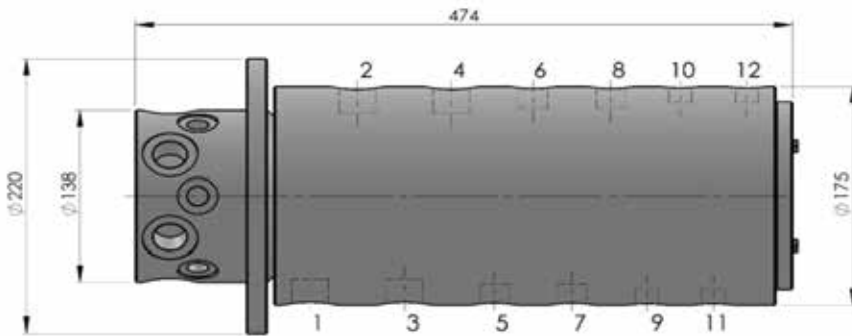
TÜV NORD 14 ATEX 35140794

Working pressure in rotation		
Max rotating speed	15	RPM
Operating temperature	-20/+80	°C
Material	Shaft	Iron
	Hub	Cust iron

Weight	94	kg
External finish	Shaft	Galvanized
	Hub	Galvanized

Cod.	
HD145.2BC2D2EF	HDAtex145.2BC2D2EF





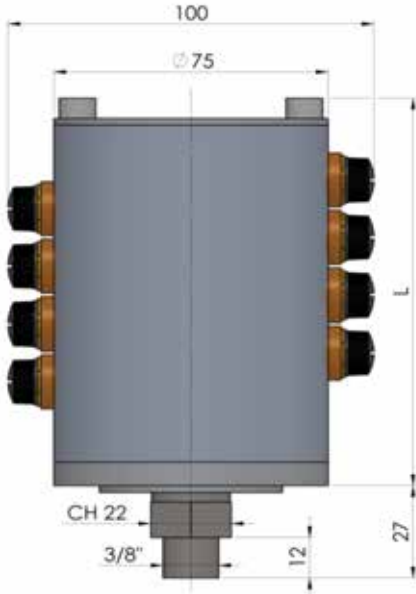
PORT SPECIFICATION							
Pos.	Port		Dn mm	Work. Pressure Bar	Test Pressure Bar	Max flow l/min	Fluid
	Rotor	Stator					
1	3/4" BSP	3/4" BSP	18	350	420	150	Hydraulic Oil
2	3/4" BSP	3/4" BSP	18			150	
3	3/4" BSP	3/4" BSP	18			150	
4	3/4" BSP	3/4" BSP	18			150	
5	1/2" BSP	1/2" BSP	14			80	
6	1/2" BSP	1/2" BSP	14			80	
7	1/2" BSP	1/2" BSP	14			80	
8	1/2" BSP	1/2" BSP	14			80	
9	3/8" BSP	3/8" BSP	10			60	
10	3/8" BSP	3/8" BSP	10			60	
11	3/8" BSP	3/8" BSP	10			60	
12	3/8" BSP	3/8" BSP	10			60	

<b>Working pressure in rotation</b>		
Max rotating speed	12	RPM
Operating temperature	-10/+80	°C
Material	Shaft	Iron
	Hub	Iron

Weight	72	kg
External finish	Shaft	Painted
	Hub	Painted

Cod.  
**HD105.4D4C4B**

Max rotating speed: 30 RPM  
 Temperature range: -30/+60°C  
 Protection degree: IP 55  
 Voltage: 50 V  
 Max diameter cable: ø10 mm

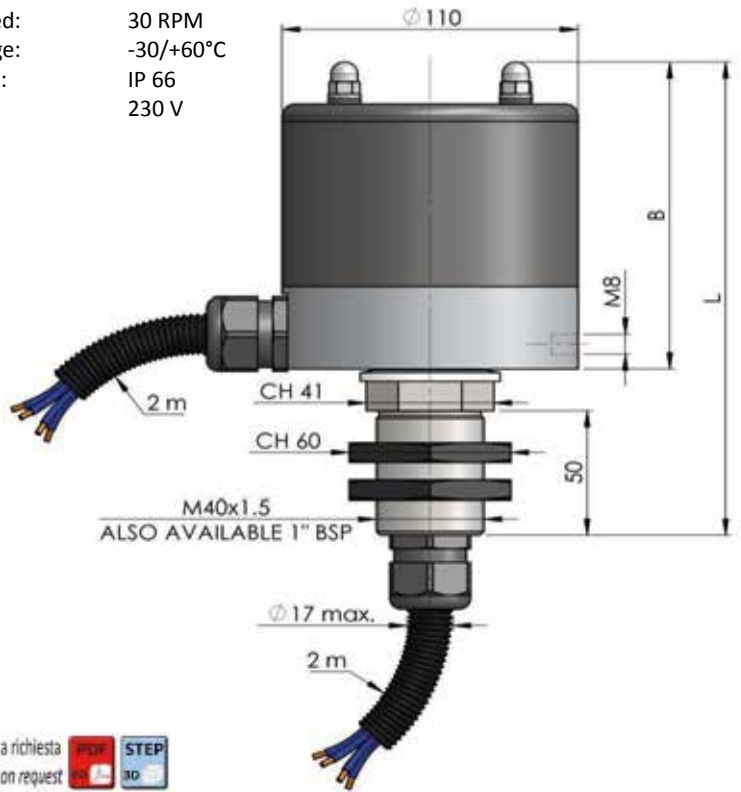


Disegno tecnico disponibile a richiesta  
 Technical drawing available on request



Poli poles	Slipping current [A]	Cable [mm <sup>2</sup> ]	L [mm]	Without cable		With cable 2 m (axial passage)	
				Model		Model	
2	6	2x1,5mm <sup>2</sup>	65	SR75.2x1,5		SR75.2x1,5/C	
3	6	3x1,5mm <sup>2</sup>	73	SR75.3x1,5		SR75.3x1,5/C	
4	6	4x1,5mm <sup>2</sup>	82	SR75.4x1,5		SR75.4x1,5/C	
5	6	5x1,5mm <sup>2</sup>	90	SR75.5x1,5		SR75.5x1,5/C	
6	6	6x1,5mm <sup>2</sup>	99	SR75.6x1,5		SR75.6x1,5/C	
7	6	7x1,5mm <sup>2</sup>	107	SR75.7x1,5		SR75.7x1,5/C	
8	6	8x1,5mm <sup>2</sup>	116	SR75.8x1,5		SR75.8x1,5/C	
10	6	10x1,5mm <sup>2</sup>	133	SR75.10x1,5		SR75.10x1,5/C	
12	6	12x1,5mm <sup>2</sup>	150	SR75.12x1,5		SR75.12x1,5/C	
14	6	14x1,5mm <sup>2</sup>	155	SR75.14x1,5		SR75.14x1,5/C	
16	6	16x1,5mm <sup>2</sup>	169	SR75.16x1,5		SR75.16x1,5/C	

Max rotating speed: 30 RPM  
 Temperature range: -30/+60°C  
 Protection degree: IP 66  
 Voltage: 230 V

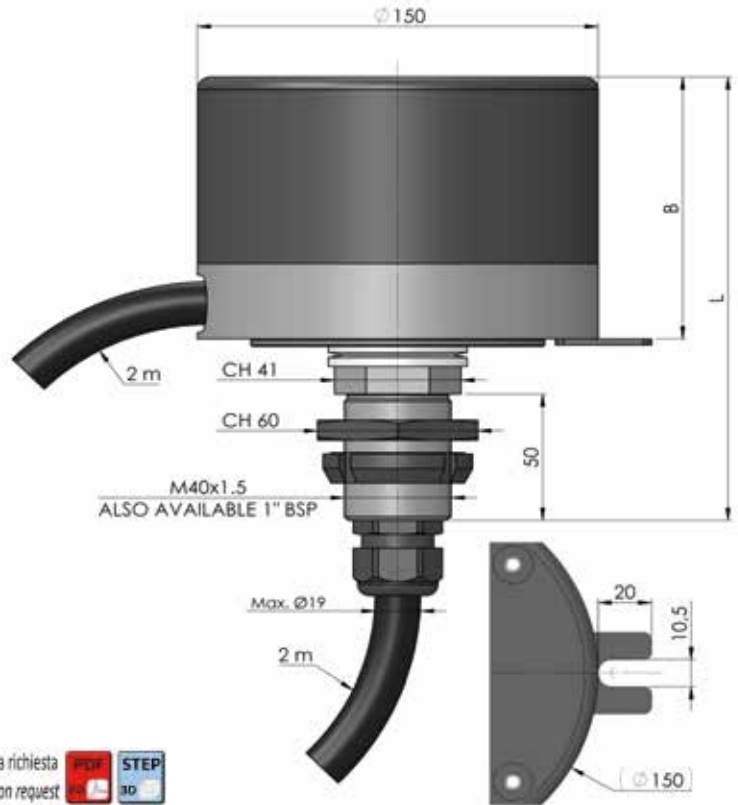


Disegno tecnico disponibile a richiesta  
 Technical drawing available on request



Poli poles	Slipping current [A]	Cable [mm <sup>2</sup> ]	L [mm]	B [mm]	Without cable		With cable 2 m + 2 m	
					Model		Model	
3	15	3G1,5	118	185	<b>SR110.3G1,5</b>		<b>SR110.3G1,5/C</b>	
4	15	4G1,5	118	185	<b>SR110.4G1,5</b>		<b>SR110.4G1,5/C</b>	
7	15	7G1,5	130	197	<b>SR110.7G1,5</b>		<b>SR110.7G1,5/C</b>	
12	15	12G1,5	150	217	<b>SR110.12G1,5</b>		<b>SR110.12G1,5/C</b>	
18	15	18G1,5	189	256	<b>SR110.18G1,5</b>		<b>SR110.18G1,5/C</b>	

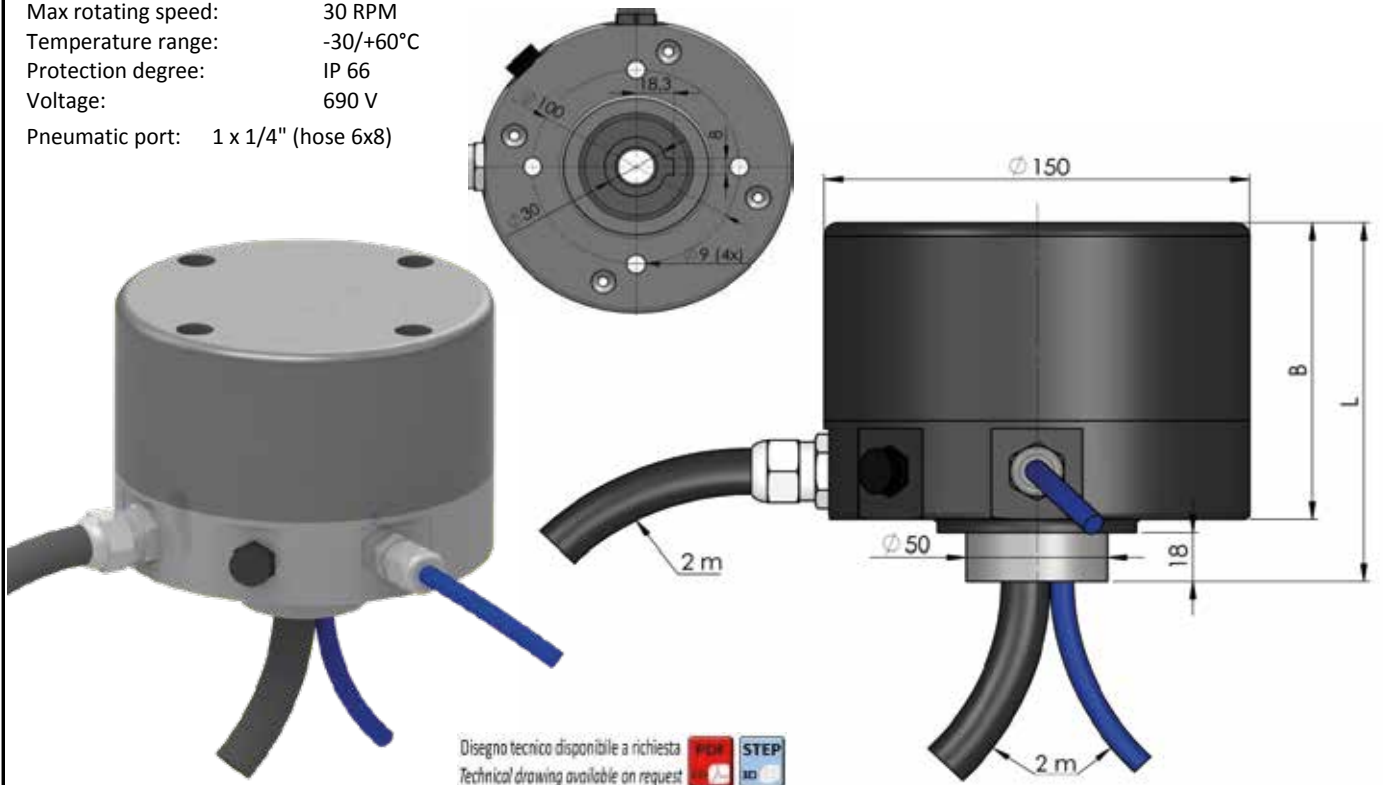
Max rotating speed: 30 RPM  
 Temperature range: -30/+60°C  
 Protection degree: IP 66  
 Voltage: 690 V



Disegno tecnico disponibile a richiesta  
 Technical drawing available on request

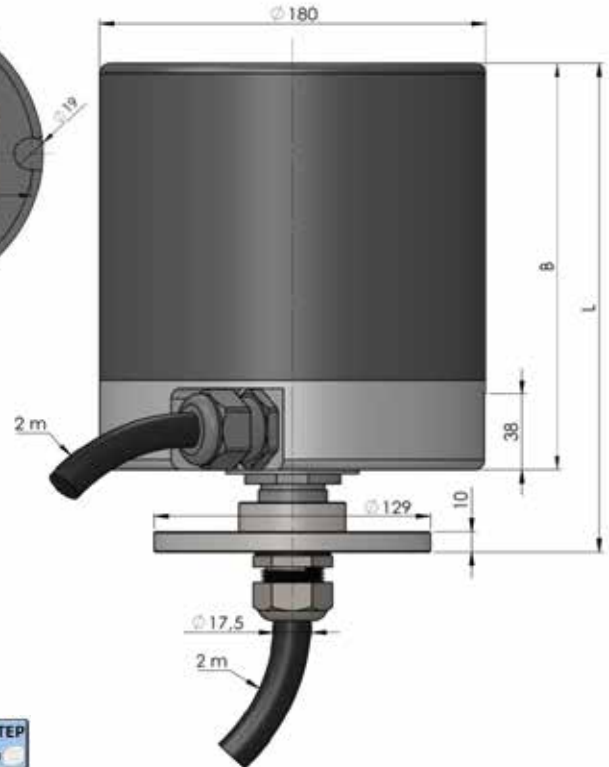
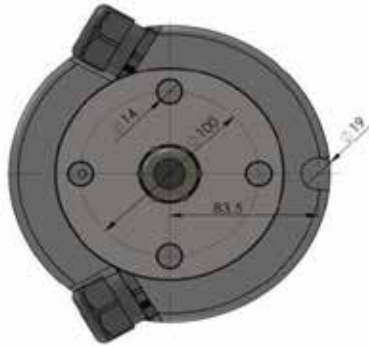
Poli poles	Slipping current [A]	Cable [mm <sup>2</sup> ]	L [mm]	B [mm]	Without cable		With cable 2 m + 2 m	
					Model		Model	
1	50	1 x 10	162	90	SR150.01G10		SR150.01G10/C	
1	80	1 x 16	162	90	SR150.01G16		SR150.01G16/C	
1	125	1 x 25	162	90	SR150.01G25		SR150.01G25/C	
1	175	1 x 35	162	90	SR150.01G35		SR150.01G35/C	
1	250	1 x 50	162	90	SR150.01G50		SR150.01G50/C	
2	35	2 x 6	162	90	SR150.02G6		SR150.02G6/C	
3	35	3G1,5	162	90	SR150.03G1,5		SR150.03G1,5/C	
3	35	3G2,5	162	90	SR150.03G2,5		SR150.03G2,5/C	
3	35	3G4	162	90	SR150.03G4		SR150.03G4/C	
3	35	3G6	162	90	SR150.03G6		SR150.03G6/C	
4	35	4G1,5	162	90	SR150.04G1,5		SR150.04G1,5/C	
4	35	4G2,5	162	90	SR150.04G2,5		SR150.04G2,5/C	
4	35	4G4	162	90	SR150.04G4		SR150.04G4/C	
4	35	4G6	162	90	SR150.04G6		SR150.04G6/C	
4	50	4G10	176	104	SR150.04G10		SR150.04G10/C	
5	35	5G1,5	176	104	SR150.05G1,5		SR150.05G1,5/C	
5	35	5G2,5	176	104	SR150.05G2,5		SR150.05G2,5/C	
5	35	5G4	176	104	SR150.05G4		SR150.05G4/C	
5	35	5G6	176	104	SR150.05G6		SR150.05G6/C	
7	35	7G1,5	176	104	SR150.07G1,5		SR150.07G1,5/C	
7	35	7G2,5	176	104	SR150.07G2,5		SR150.07G2,5/C	
7	35	7G4	176	104	SR150.07G4		SR150.07G4/C	
7	35	7G6	176	104	SR150.07G6		SR150.07G6/C	
10	35	10G1,5	202	130	SR150.10G1,5		SR150.10G1,5/C	
10	35	10G2,5	202	130	SR150.10G2,5		SR150.10G2,5/C	
12	35	12G1,5	229	157	SR150.12G1,5		SR150.12G1,5/C	
12	35	12G2,5	229	157	SR150.12G2,5		SR150.12G2,5/C	
16	35	16G1,5	246	174	SR150.16G1,5		SR150.16G1,5/C	
18	35	18G1,5	256	184	SR150.18G1,5		SR150.18G1,5/C	
24	35	24G1	299	227	SR150.24G1		SR150.24G1/C	
24	35	24G1,5	299	227	SR150.24G1,5		SR150.24G1,5/C	

Max rotating speed: 30 RPM  
 Temperature range: -30/+60°C  
 Protection degree: IP 66  
 Voltage: 690 V  
 Pneumatic port: 1 x 1/4" (hose 6x8)



Poli poles	Slipping current [A]	Cable [mm <sup>2</sup> ]	L [mm]	B [mm]	Without cable/hose		With cable and hose 2 m + 2 m	
					Model		Model	
1	50	1 x 10	134	111	SR150.01G10-PN		SR150.01G10-PN\C	
1	80	1 x 16	134	111	SR150.01G16-PN		SR150.01G16-PN\C	
1	125	1 x 25	134	111	SR150.01G25-PN		SR150.01G25-PN\C	
1	175	1 x 35	134	111	SR150.01G35-PN		SR150.01G35-PN\C	
1	250	1 x 50	134	111	SR150.01G50-PN		SR150.01G50-PN\C	
2	35	2 x 6	134	111	SR150.02G6-PN		SR150.02G6-PN\C	
3	35	3G1,5	134	111	SR150.03G1,5-PN		SR150.03G1,5-PN\C	
3	35	3G2,5	134	111	SR150.03G2,5-PN		SR150.03G2,5-PN\C	
3	35	3G4	134	111	SR150.03G4-PN		SR150.03G4-PN\C	
3	35	3G6	134	111	SR150.03G6-PN		SR150.03G6-PN\C	
4	35	4G1,5	134	111	SR150.04G1,5-PN		SR150.04G1,5-PN\C	
4	35	4G2,5	134	111	SR150.04G2,5-PN		SR150.04G2,5-PN\C	
4	35	4G4	134	111	SR150.04G4-PN		SR150.04G4-PN\C	
4	35	4G6	134	111	SR150.04G6-PN		SR150.04G6-PN\C	
4	50	4G10	148	125	SR150.04G10-PN		SR150.04G10-PN\C	
5	35	5G1,5	148	125	SR150.05G1,5-PN		SR150.05G1,5-PN\C	
5	35	5G2,5	148	125	SR150.05G2,5-PN		SR150.05G2,5-PN\C	
5	35	5G4	148	125	SR150.05G4-PN		SR150.05G4-PN\C	
5	35	5G6	148	125	SR150.05G6-PN		SR150.05G6-PN\C	
7	35	7G1,5	148	125	SR150.07G1,5-PN		SR150.07G1,5-PN\C	
7	35	7G2,5	148	125	SR150.07G2,5-PN		SR150.07G2,5-PN\C	
7	35	7G4	148	125	SR150.07G4-PN		SR150.07G4-PN\C	
7	35	7G6	148	125	SR150.07G6-PN		SR150.07G6-PN\C	
10	22	10G1,5	174	151	SR150.10G1,5-PN		SR150.10G1,5-PN\C	
10	35	10G2,5	174	151	SR150.10G2,5-PN		SR150.10G2,5-PN\C	
12	35	12G1,5	201	178	SR150.12G1,5-PN		SR150.12G1,5-PN\C	
12	35	12G2,5	201	178	SR150.12G2,5-PN		SR150.12G2,5-PN\C	
16	35	16G1,5	218	195	SR150.16G1,5-PN		SR150.16G1,5-PN\C	
18	35	18G1,5	228	205	SR150.18G1,5-PN		SR150.18G1,5-PN\C	
24	35	24G1	271	248	SR150.24G1-PN		SR150.24G1-PN\C	
24	35	24G1,5	271	248	SR150.24G1,5-PN		SR150.24G1,5-PN\C	

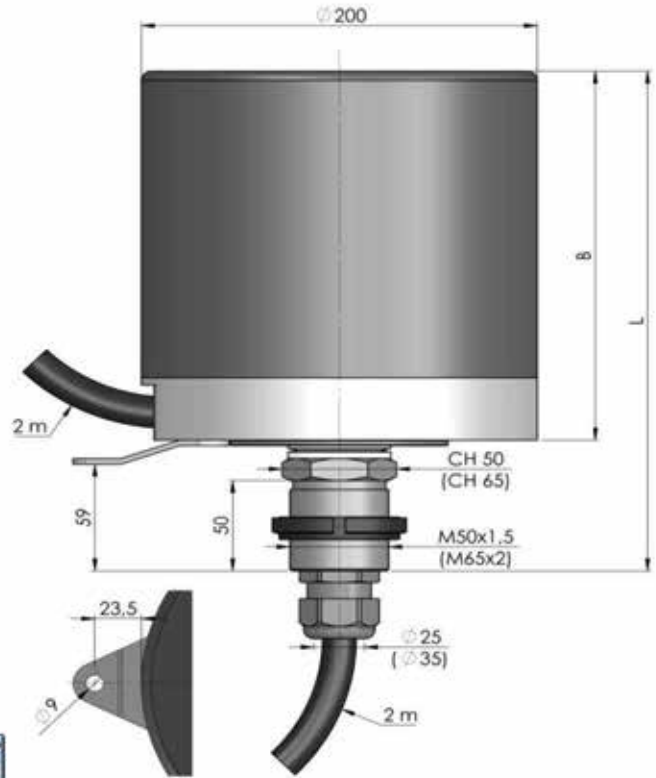
Max rotating speed: 30 RPM  
 Temperature range: -30/+60°C  
 Protection degree: IP 66  
 Voltage: 690 V  
 Optional: Profibus  
                   CANbus



Disegno tecnico disponibile a richiesta   
 Technical drawing available on request

Poli poles	Slipping current [A]	Cable [mm <sup>2</sup> ]	L [mm]	B [mm]	Without cable		With cable 2 m + 2 m	
					Model		Model	
1	35	1 x 10	186	145	SR180.01G10		SR180.01G10/C	
1	80	1 x 16	186	145	SR180.01G16		SR180.01G16/C	
1	125	1 x 25	186	145	SR180.01G25		SR180.01G25/C	
1	175	1 x 35	186	145	SR180.01G35		SR180.01G35/C	
1	250	1 x 50	186	145	SR180.01G50		SR180.01G50/C	
2	35	2 x 6	186	145	SR180.02G6		SR180.02G6/C	
3	35	3G1,5	196	155	SR180.03G1,5		SR180.03G1,5/C	
3	35	3G2,5	196	155	SR180.03G2,5		SR180.03G2,5/C	
3	35	3G4	200	159	SR180.03G4		SR180.03G4/C	
3	35	3G6	200	159	SR180.03G6		SR180.03G6/C	
4	35	4G1,5	200	159	SR180.04G1,5		SR180.04G1,5/C	
4	35	4G2,5	200	159	SR180.04G2,5		SR180.04G2,5/C	
4	35	4G4	208	167	SR180.04G4		SR180.04G4/C	
4	35	4G6	208	167	SR180.04G6		SR180.04G6/C	
4	50	4G10	208	167	SR180.04G10		SR180.04G10/C	
5	35	5G1,5	208	167	SR180.05G1,5		SR180.05G1,5/C	
5	35	5G2,5	208	167	SR180.05G2,5		SR180.05G2,5/C	
5	35	5G4	216	175	SR180.05G4		SR180.05G4/C	
5	35	5G6	216	175	SR180.05G6		SR180.05G6/C	
7	35	7G1,5	216	175	SR180.07G1,5		SR180.07G1,5/C	
7	35	7G2,5	216	175	SR180.07G2,5		SR180.07G2,5/C	
7	35	7G4	244	203	SR180.07G4		SR180.07G4/C	
7	35	7G6	244	203	SR180.07G6		SR180.07G6/C	
10	22	10G1,5	244	203	SR180.10G1,5		SR180.10G1,5/C	
10	35	10G2,5	244	203	SR180.10G2,5		SR180.10G2,5/C	
12	35	12G1,5	254	213	SR180.12G1,5		SR180.12G1,5/C	
12	35	12G2,5	254	213	SR180.12G2,5		SR180.12G2,5/C	
16	35	16G1,5	274	233	SR180.16G1,5		SR180.16G1,5/C	
18	35	18G1,5	284	243	SR180.18G1,5		SR180.18G1,5/C	
24	35	24G1	314	273	SR180.24G1		SR180.24G1/C	
24	35	24G1,5	314	273	SR180.24G1,5		SR180.24G1,5/C	

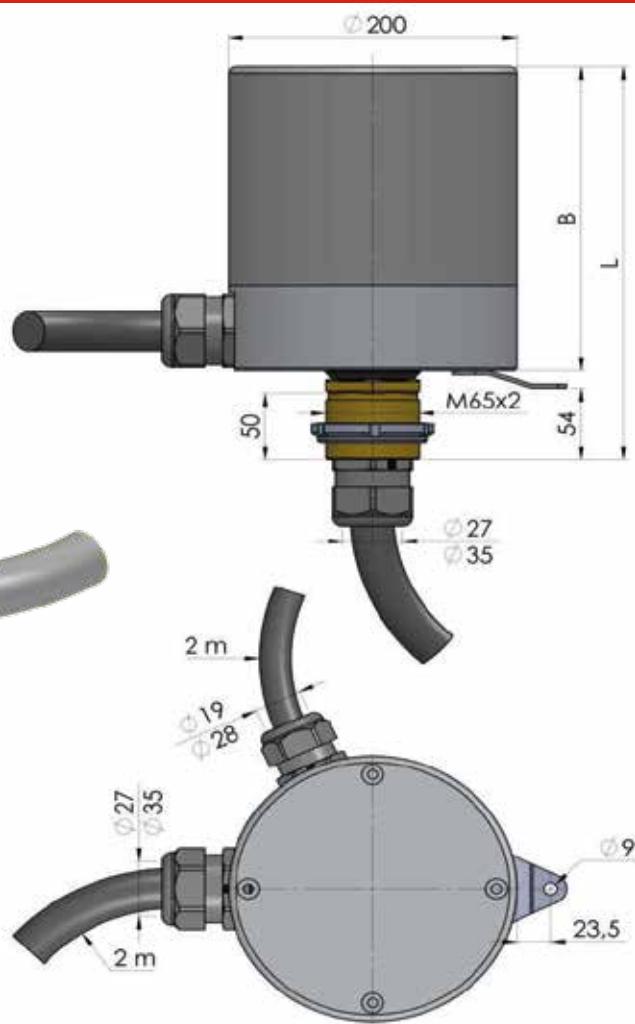
Max rotating speed: 30 RPM  
 Temperature range: -30/+60°C  
 Protection degree: IP 66  
 Voltage: 690 V  
 Optional: Profibus, CANBus



Disegno tecnico disponibile a richiesta  
 Technical drawing available on request

Poli poles	Slipping current [A]	Cable [mm <sup>2</sup> ]	L [mm]	B [mm]	Without cable		With cable 2 m + 2 m	
					Model		Model	
4	88	4G16	198	126	SR200.04G16		SR200.04G16/C	
16	35	16G2,5	246	174	SR200.16G2,5		SR200.16G2,5/C	
18	35	18G2,5	258	186	SR200.18G2,5		SR200.18G2,5/C	
20	35	20G2,5	270	198	SR 200.20G2,5		SR 200.20G2,5/C	
24	35	24G2,5	294	222	SR200.24G2,5		SR200.24G2,5/C	
30	35	30G1,5	330	258	SR200.30G1,5		SR200.30G1,5/C	
36	35	36G1,5	366	294	SR200.36G1,5		SR200.36G1,5/C	

Max rotating speed: 30 RPM  
 Temperature range: -30/+60°C  
 Protection degree: IP 66  
 Voltage: 690 V  
 Optional: Profibus, CANBus



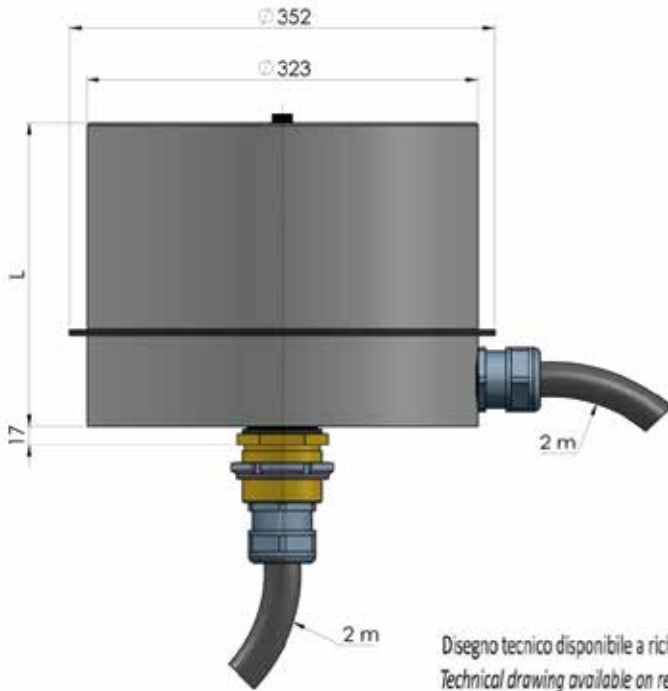
Disegno tecnico disponibile a richiesta  
 Technical drawing available on request



Poli poles	Slipping current [A]	Cable [mm <sup>2</sup> ]	L [mm]	B [mm]	Without cable		With cable 2 m + 2 m	
					Model		Model	
20	20		306	239	SR200.20/TS20003		SR200.20/TS20003/C	
24	30		357	290	SR200.24+2CAN		SR200.24+2CAN/C	
25	50		446	379	SR200-24+T-50A		SR200-24+T-50A/C	
28	10		361	294	SR200.28/400V		SR200.28/400V/C	
31	20		383	316	SR200.31/220V		SR200.31/220V/C	



Max rotating speed: 30 RPM  
 Temperature range: -30/+60°C  
 Protection degree: IP 55  
 Voltage: 690 V  
 Optional: Profibus, CANBus



Disegno tecnico disponibile a richiesta PDF STEP  
 Technical drawing available on request

Poli poles	Slipping current [A]	Cable [mm <sup>2</sup> ]	L [mm]	Without cable		With cable 2 m + 2 m	
				Model		Model	
5+12	150+15		302	<b>SR 320.05150.1215</b>		<b>SR 320.05150.1215/C</b>	
4+2	100+20		260	<b>SR 320.04.100.02.20</b>		<b>SR 320.04.100.02.20/C</b>	
7+8	160+2,5		267	<b>SR 320.0416A.092,5A.04CAN</b>		<b>SR 320.0416A.092,5A.04CAN/C</b>	
4	240		320	<b>SR320.04.600V.240A</b>		<b>SR320.04.600V.240A/C</b>	
4	56		260	<b>SR320.04.35kw</b>		<b>SR320.04.35kw/C</b>	
4	73		260	<b>SR320.04.45kw</b>		<b>SR320.04.45kw/C</b>	
4	88		260	<b>SR320.04.55kw</b>		<b>SR320.04.55kw/C</b>	
4	120		260	<b>SR320.04.75kw</b>		<b>SR320.04.75kw/C</b>	
4	176		260	<b>SR320.04.110kw</b>		<b>SR320.04.110kw/C</b>	
4	210		330	<b>SR320.04.210</b>		<b>SR320.04.210/C</b>	
4	56		260	<b>SR320.0425</b>		<b>SR320.0425/C</b>	
4	88		260	<b>SR320.0435</b>		<b>SR320.0435/C</b>	
4	120		260	<b>SR320.0450</b>		<b>SR320.0450/C</b>	
4	176		260	<b>SR320.0470</b>		<b>SR320.0470/C</b>	



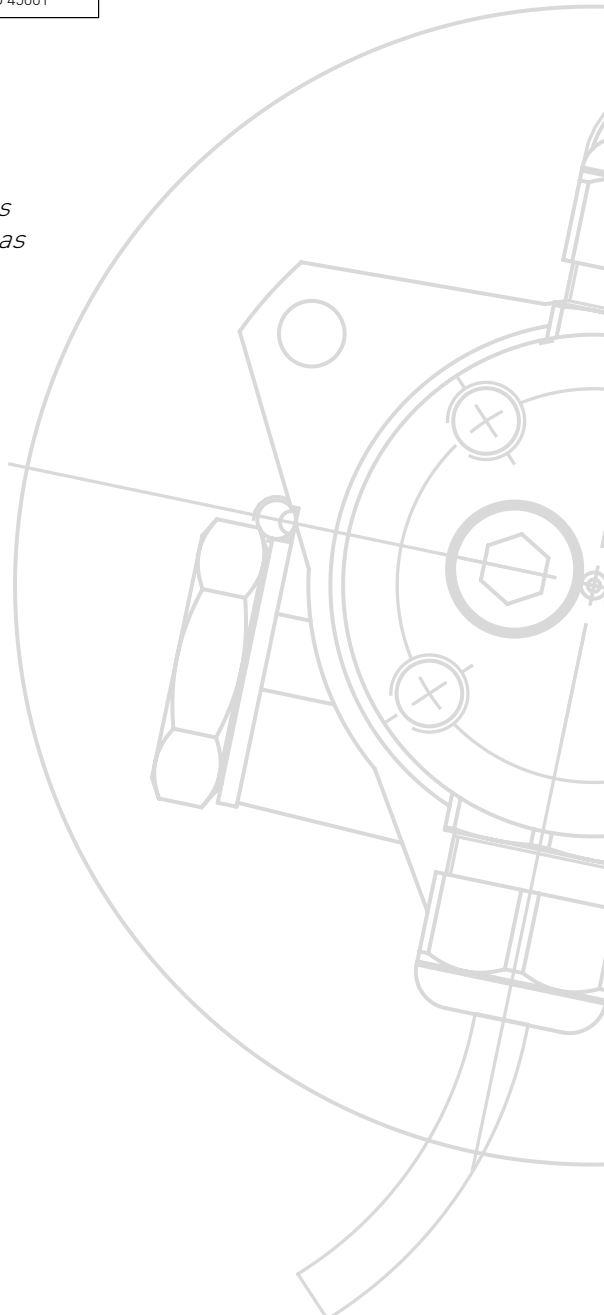
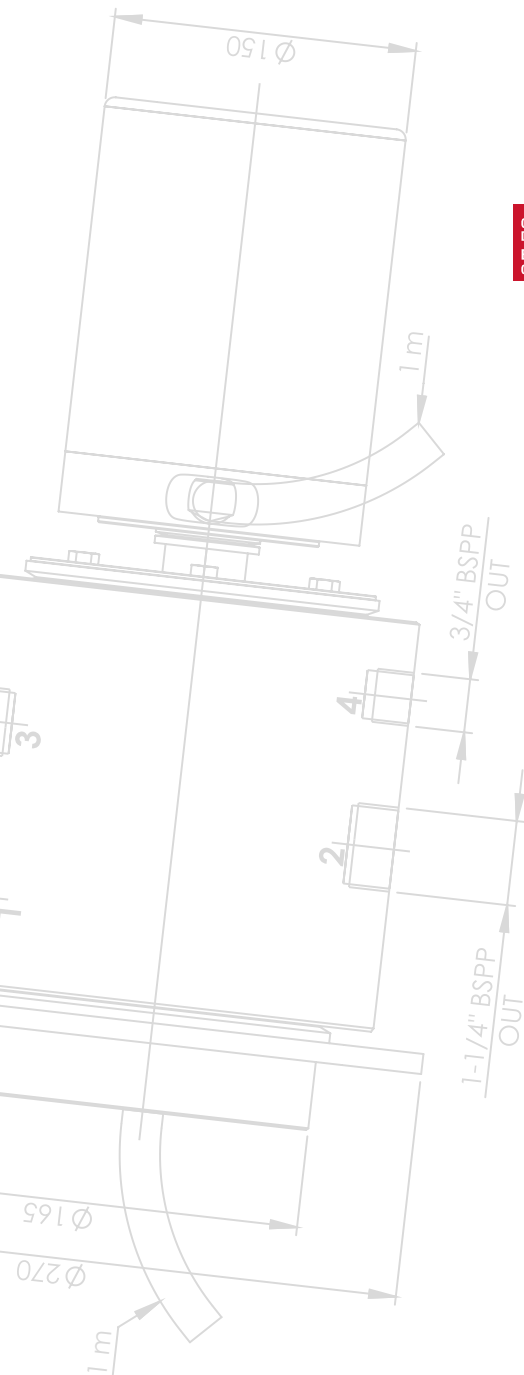




Management system certified in accordance with the requirements of ISO 9001 - ISO 14001 - ISO 45001

**Company certified ISO 9001**

*Hydraulic hose reels  
Reels for electrical cables  
length and angle transducers  
Combined electro-hydraulic reels  
Hose reels for oil, water, air and gas*



HOSE REELS - CABLE REELS - SWIVEL JOINTS

Demac S.r.l. - Magenta (MI) - Italy  
+39 02 9784488 - info@Demac.it

WWW.DEMAC.IT

