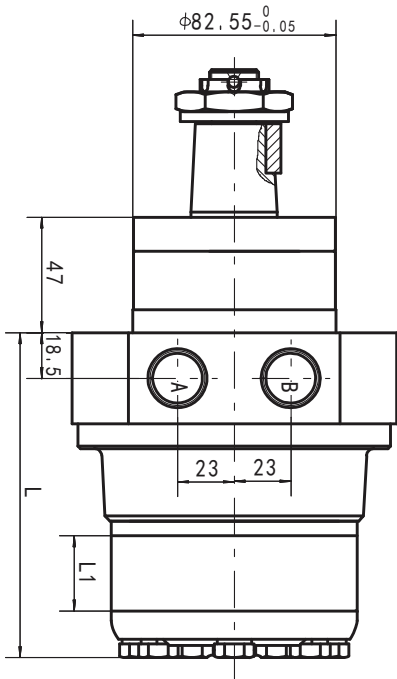
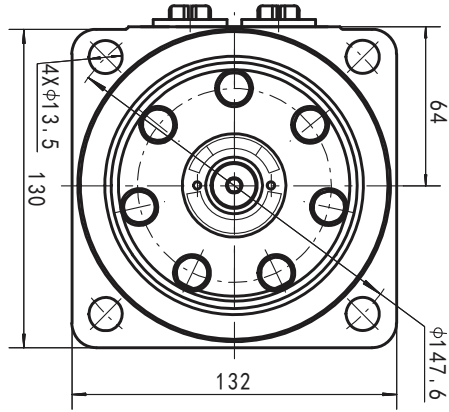


VNKRWN DIMENSIONS MOUNTING DATA



Model	L	L1
VNKRWN-50	113	10
VNKRWN-80	119	16
VNRKWN-100	123	20
VNKRWN-125	128	25
VNKRWN-160	133.5	30.5
VNKRWN-200	141	38.1
VNKRWN-250	153	50
VNKRWN-315	165	62
VNKRWN-375	177	74

Order Information

VNKRWN-
 1 2 3 4 5 6 7 8

Pos.1	2	3	4	5	6	7	8
Code	Flange	Output shaft	Ports and drain port	Rotation direction	Paint	Unusually function	
50	4-Ø13.5 Wheel Mount , Ø82.5x9.4 Omit	T1	D	Standard	No paint	Standard	
80		B	M	Omit	Blue		
100		F	S	Opposite	Black		
125		FD	P	R	Silver grey		
160		G					
200							
250							
315							
375							

Note:When the table is used , please fill the code of right rows in the table and give us , which the code information is consists of construction , displacement , mounting flange output shaft and ports . If the specification is not in the table or you have specific requirements , please contact us .

Code	G(depth)	M(depth)	S(depth)	P(depth)
P(A,B)	G1/2(15)	M2215(15)	7/8-14O-ring(17)	1/2-14NPTF(15)
C	G1/4(12)	M1415(12)	7/16-20UNF(12)	7/16-20UNF(12)